

TECHNICAL MANUAL

**Modular push buttons, pilot lights
and selector switches XB4 EKF**

1 DESCRIPTION

Modular pilot lights, push buttons and selector switches XB4 EKF are intended for management and control of plant and equipment. Modular pilot lights, push buttons and selector switches XB4 are designed for use in 50/60 Hz AC circuits up to 660 V and in DC circuits up to 400 V. They can be installed, e.g., in lead-in distributors, automatic transfer switches, motor control centers, etc. Modular pilot lights, push buttons and selector switches XB4 comply with IEC 60947-5-1:2016 requirements.

2 TECHNICAL DATA

Table 1

Characteristics	Value
Temperature ranges, °C	Operation: -25 to +70; Storage: -40 to +70; Humidity: max. 90%, non-condensing
Maximum altitude, m	2000
Mechanical life, cycles	Mushroom head: 300 000; Other push buttons and selector switches: 3 000 000

Table 2

Name	Item code	Color	Degree of protection as installed	Net weight, kg
Lamp lens XB4 EKF	XB4BV6-G XB4BV6-Y XB4BV6-B XB4BV6-R	green, red, yellow, blue	IP 65	0,021
Base for control equipment XB4 metal EKF	XB4BZ01	-	-	0,038
Label holder 16 mm	XB4D16	black	-	0,003
Head for illuminated push button XB4 start/stop flat spring return EKF	XB4BL84	green/red	IP 54	0,0385

Table 2 continued

Name	Item code	Color	Degree of protection as installed	Net weight, kg
Head for illuminated push button XB4 start/ stop protruding stop spring return EKF	XB4BW84	green/red	IP 54	0,039
Head for non-illuminated push button XB4 flat spring return EKF	XB4BA-BL XB4BA-G XB4BA-R XB4BA-Y XB4BA-B	black, green, red, yellow, blue	IP 54	0,024
Head for non-illuminated push button XB4 flat stay put EKF	XB4BAF-BL XB4BAF-G XB4BAF-R XB4BAF-Y XB4BAF-B	black, green, red, yellow, blue	IP 54	0,024
Head for non illuminated push button XB4 protruding spring return EKF	XB4BL-BL XB4BL-G XB4BL-R XB4BL-Y XB4BL-B	black, green, red, yellow, blue	IP 54	0,025
Head for illuminated push button XB4 flat spring return EKF	XB4BW-G XB4BW-R XB4BW-Y XB4BW-B	green, red, yellow, blue	IP 54	0,021
Head for illuminated push button XB4 flat stay put EKF	XB4BWF-G XB4BWF-R XB4BWF-Y XB4BWF-B	green, red, yellow, blue	IP 54	0,021
Head for non-illuminated push button XB4 mushroom spring return EKF	XB4BC-R XB4BC-G XB4BC-Y XB4BC-B	red, green, yellow, blue	IP 65	0,069

Table 2 continued

Name	Item code	Color	Degree of protection as installed	Net weight, kg
Head for illuminated push button XB4 mushroom spring return EKF	XB4BGL-R XB4BGL-G XB4BGL-Y XB4BGL-B	red, green, yellow, blue	IP 65	0,069
Head for non-illuminated push button XB4 mushroom stay put EKF	XB4BTCF-R XB4BTCF-G XB4BTCF-Y	red, green, yellow	IP 65	0,069
Head for non-illuminated push button XB4 mushroom turn to release stay put EKF	XB4BSF-R XB4BSF-G XB4BSF-Y	red, green, yellow	IP 65	0,069
Head for key push button XB4 mushroom turn to release stay put EKF	XB4BA1F-R XB4BA1F-G	red, green	IP 65	0,069
Head for non-illuminated selector switch XB4 2/3 positions spring return long handle EKF	XB4BJ2 XB4BJ3	black	IP 54	0,033
Head for non-illuminated selector switch XB4 2/3 positions stay put long handle EKF	XB4BJ2F XB4BJ3F	black	IP 54	0,033

Table 2 continued

Name	Item code	Color	Degree of protection as installed	Net weight, kg
Head for non-illuminated selector switch XB4 2/3 positions spring return, short handle EKF	XB4BD2 XB4BD3	black	IP 54	0,033
Head for non-illuminated selector switch XB4 2/3 positions stay put short handle EKF	XB4BD2F XB4BD3F	black	IP 54	0,033
Head for illuminated selector switch XB4 2/3 positions spring return, long handle EKF	XB4BJ2L-B XB4BJ2L-Y XB4BJ2L-R XB4BJ2L-G XB4BJ3L-B XB4BJ3L-Y XB4BJ3L-R XB4BJ3L-G	blue, yellow, red, green	IP 54	0,033
Head for illuminated selector switch XB4 2/3 positions stay put long handle EKF	XB4BJ2FL-B XB4BJ2FL-Y XB4BJ2FL-R XB4BJ2FL-G XB4BJ3FL-B XB4BJ3FL-Y XB4BJ3FL-R XB4BJ3FL-G	blue, yellow, red, green	IP 54	0,033
Head for illuminated selector switch XB4 2/3 positions spring return short handle EKF	XB4BD2L-B XB4BD2L-Y XB4BD2L-R XB4BD2L-G XB4BD3L-B XB4BD3L-Y XB4BD3L-R XB4BD3L-G	blue, yellow, red, green	IP 54	0,033

Table 2 continued

Name	Item code	Color	Degree of protection as installed	Net weight, kg
Head for illuminated selector switch XB4 2/3 positions stay put short handle EKF	XB4BD2FL-B XB4BD2FL-Y XB4BD2FL-R XB4BD2FL-G XB4BD3FL-B XB4BD3FL-Y XB4BD3FL-R XB4BD3FL-G	blue, yellow, red, green	IP 54	0,033
Key selector switch head XB4 2/3 positions stay put EKF	XB4BG2F XB4BG3F	black	IP 54	0,081
Key selector switch head XB4 2/3 positions spring return EKF	XB4BG2 XB4BG3	black	IP 54	0,081

3 OVERALL DIMENSIONS

LAMP LENS XB4BV6

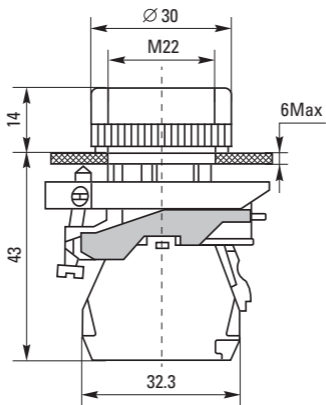


Fig. 1

HEAD FOR PUSH BUTTON XB4BL AND XB4BW

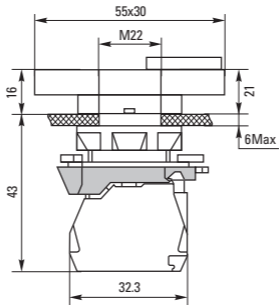


Fig. 2

HEAD FOR PUSH BUTTON XB4BA

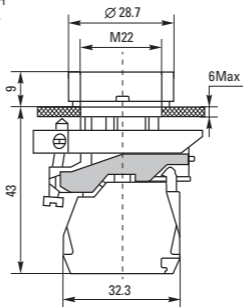


Fig. 3

HEAD FOR PUSH
BUTTON XB4BL

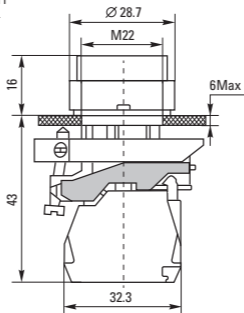


Fig. 4

HEAD FOR PUSH
BUTTON XB4BW3

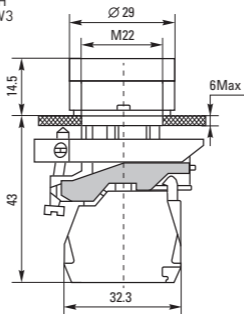


Fig. 5

HEAD FOR PUSH BUTTON XB4 MUSHROOM XB4BC,
XB4BTC, XB4BS, XB4BGL

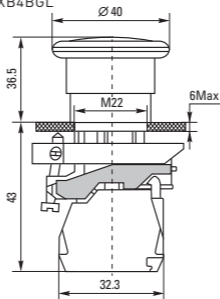


Fig. 6

HEAD FOR KEY PUSH
BUTTON XB4BA1

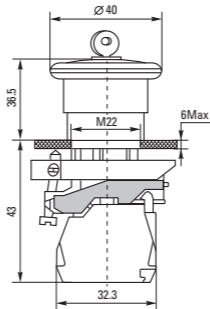


Fig. 7

HEAD FOR SELECTOR SWITCH XB4BJ

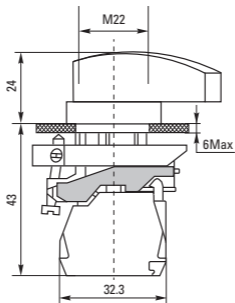


Fig. 8

HEAD FOR SELECTOR SWITCH XB4BD

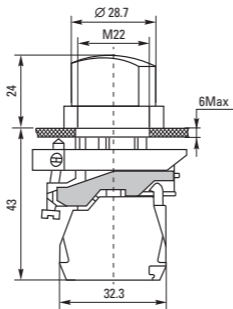


Fig. 9

KEY SELECTOR SWITCH HEAD XB4BG

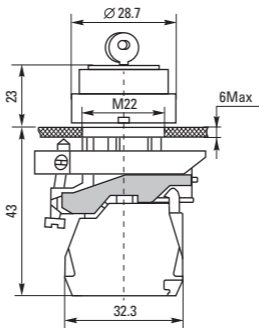
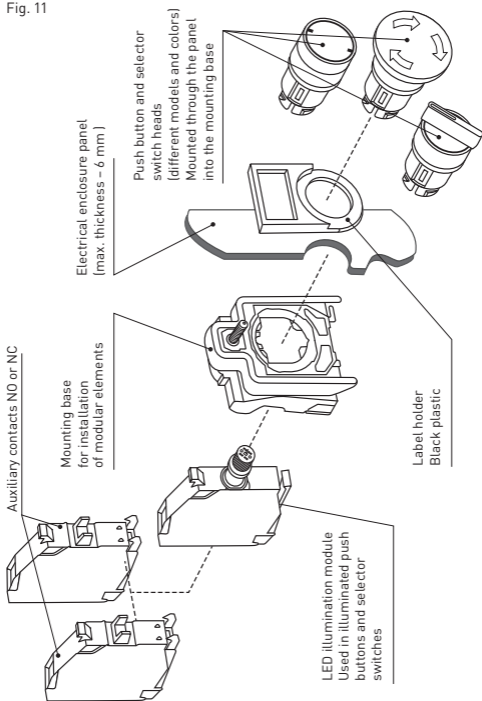


Fig. 10

4 INSTALLATION

For installation diagram, refer to Fig. 11

Fig. 11



5 DELIVERY SCOPE

Modular push buttons, pilot lights and selector switches XB4 EKF are supplied in group package. For all available documentation, scan the QR-code on the insert or on the inside of the package.

6 STORAGE AND TRANSPORTATION

Devices can be transported by any means of enclosed transport that protects the packaged goods from mechanical impact and weather exposure.

Devices shall be stored indoors in their original packaging at the ambient temperatures from -40°C to +70°C and relative humidity of max. 70%.

7 DISPOSAL

Life-expired and failed products shall be disposed of in compliance with the effective national and local laws and regulations.

To dispose of the product, send it to an authorized company for recycling in compliance with the effective national and local laws and regulations.

8 MANUFACTURER'S WARRANTY

Warranty period: 7 years from the date of sale, conditional on observing operation, transportation and storage requirements.

Shelf life: 7 years.

Service life: 10 years.

9 CERTIFICATE OF ACCEPTANCE

Pilot lights, push buttons and selector switches specified herein comply with the requirements of IEC 60947-5-1-2014 and have been approved for operation.

Quality control stamp



Date of manufacture: for information,
refer to the product package.

Importer and EKF trademark service representative:

EKF ELECTRICAL SOLUTION – FZCO, Dubai Silicon Oasis, DDP, Building A2, Dubai, United Arab Emirates.

**Importer and EKF trademark service representative
on the territory of the Russian Federation:**

000 «Electroresheniya», Otradnaya st., 2b bld. 9, 5th floor, 127273, Moscow, Russia. Tel.: +7 (495) 788-88-15.

**Importer and EKF trademark service representative
on the territory of the Republic of Kazakhstan:**

TOO «Energoresheniya Kazakhstan», Kazakhstan, Almaty, Bostandyk district, Turgut Ozal st., 247, apt 4.



www.ekfgroup.com