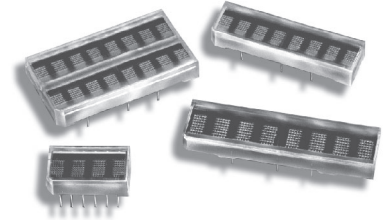


HCMS-29xx Series

High Performance CMOS 5×7 Alphanumeric Displays



Description

The Broadcom[®] HCMS-29xx series are high performance, easy to use dot matrix displays driven by on-board CMOS ICs. Each display can be directly interfaced with a microprocessor, thus eliminating the need for cumbersome interface components. The serial IC interface allows higher character count information displays with a minimum of data lines. A variety of colors, font heights, and character counts gives designers a wide range of product choices for their specific applications and the easy to read 5×7 pixel format allows the display of uppercase, lowercase, Katakana, and custom user-defined characters. These displays are stackable in the X- and Y- directions, making them ideal for high character count displays.

Features

- Easy to use
- Interfaces directly with microprocessors
- 0.15-in. character height in 4, 8, and 16 (2×8) character packages
- 0.20-in. character height in 4 and 8 character packages
- Rugged X- and Y-stackable package
- Serial input
- Convenient brightness controls
- Wave solderable
- Offered in five colors
- Low power CMOS technology
- TTL compatible

Applications

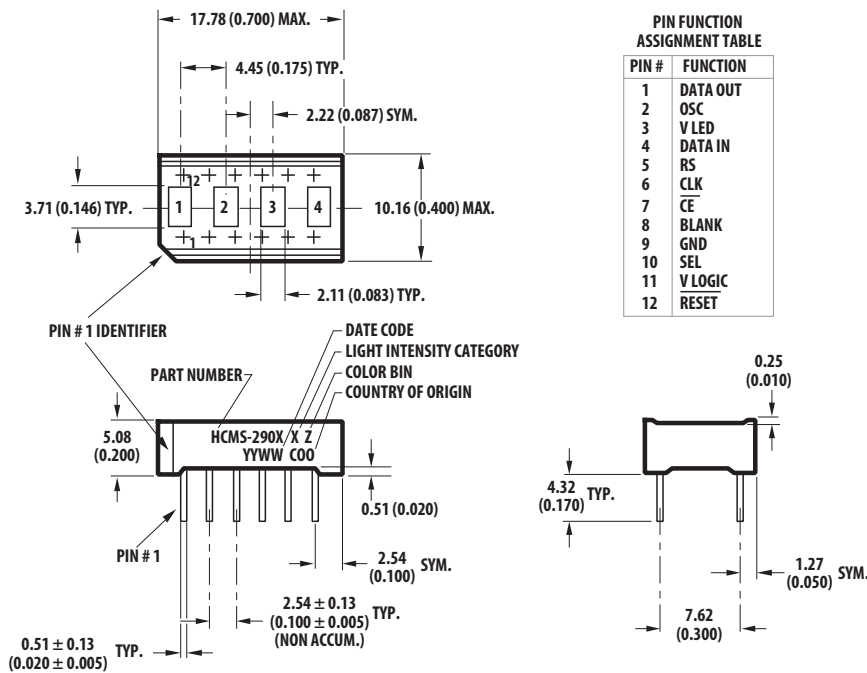
- Telecommunications equipment
- Portable data entry devices
- Computer peripherals
- Medical equipment
- Test equipment
- Business machines
- Avionics
- Industrial controls

ESD Warning: Observe standard CMOS handling precautions to avoid static discharge.

Device Selection Guide

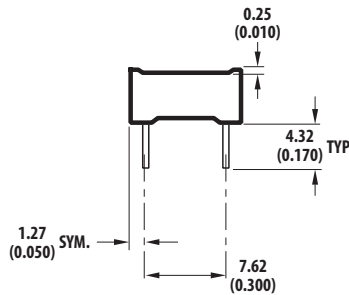
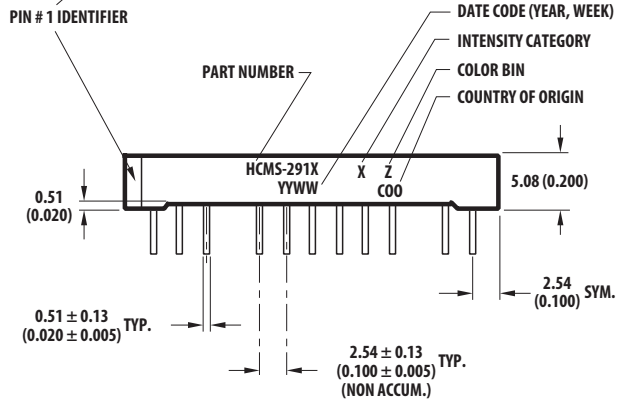
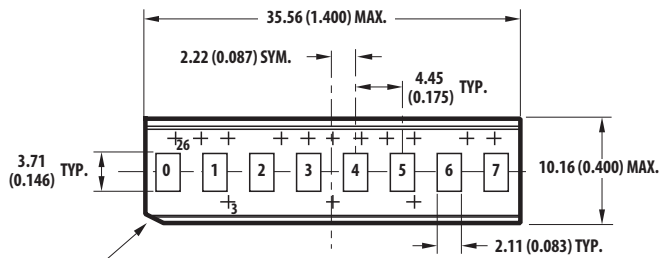
Description	Deep Red	HER	Orange	Yellow	Green	Package Drawing
1x4 0.15-in. Character	HCMS-2905	HCMS-2902	HCMS-2904	HCMS-2901	HCMS-2903	A
1x8 0.15-in. Character	HCMS-2915	HCMS-2912	HCMS-2914	HCMS-2911	HCMS-2913	B
2x8 0.15-in. Character	HCMS-2925	HCMS-2922	HCMS-2924	HCMS-2921	HCMS-2923	C
1x4 0.20-in. Character	HCMS-2965	HCMS-2962	HCMS-2964	HCMS-2961	HCMS-2963	D
1x8 0.20-in. Character	HCMS-2975	HCMS-2972	HCMS-2974	HCMS-2971	HCMS-2973	E

HCMS-290X (Package Drawing A)



- NOTES:**
1. DIMENSIONS ARE IN mm (INCHES).
 2. UNLESS OTHERWISE SPECIFIED, TOLERANCE ON DIMENSIONS IS ± 0.38 mm (0.015 INCH).
 3. LEAD MATERIAL: SOLDER PLATED COPPER ALLOY.

HCMS-291x (Package Drawing B)



PIN FUNCTION ASSIGNMENT TABLE

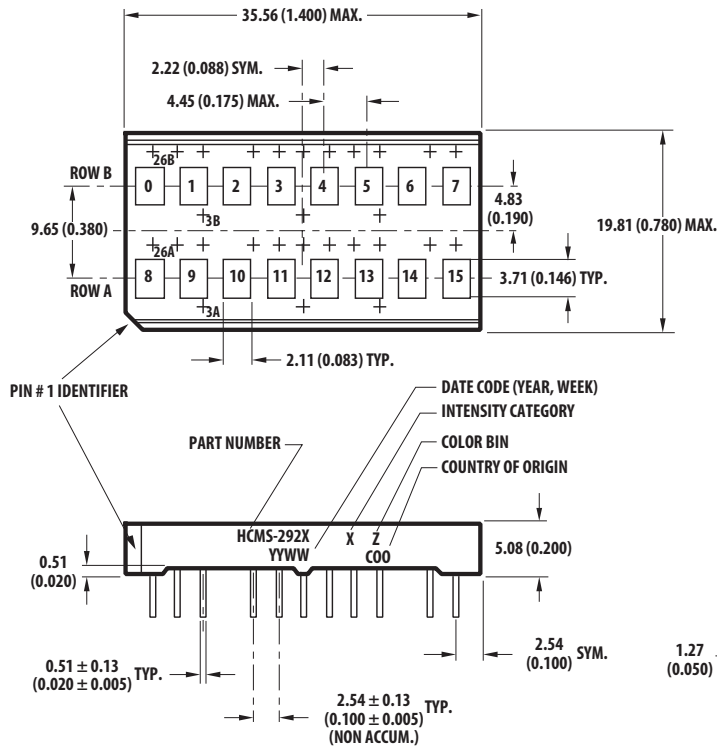
PIN #	FUNCTION
1	NO PIN
2	NO PIN
3	V LED
4	NO PIN
5	NO PIN
6	NO PIN
7	GND LED
8	NO PIN
9	NO PIN
10	V LED
11	NO PIN
12	NO PIN
13	NO PIN
14	DATA IN
15	RS
16	NO PIN
17	CLOCK
18	CE
19	BLANK
20	GND LOGIC
21	SEL
22	V LOGIC
23	NO PIN
24	RESET
25	OSC
26	DATA OUT

- NOTES:
 1. DIMENSIONS ARE IN mm (INCHES).
 2. UNLESS OTHERWISE SPECIFIED, TOLERANCE ON DIMENSIONS IS ± 0.38 mm (0.015 INCH).
 3. LEAD MATERIAL: SOLDER PLATED COPPER ALLOY.

HCMS-292x (Package Drawing C)

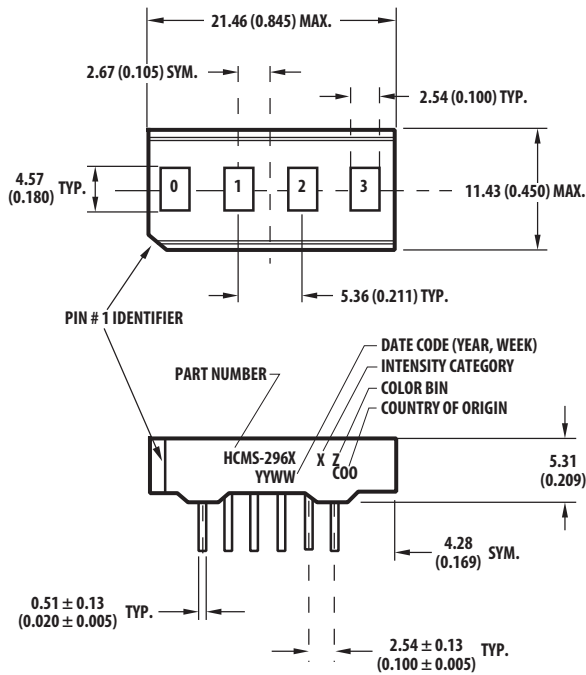
PIN FUNCTION ASSIGNMENT TABLE

PIN #	FUNCTION	PIN #	FUNCTION
1A	NO PIN	1B	NO PIN
2A	NO PIN	2B	NO PIN
3A	V LED	3B	V LED
4A	NO PIN	4B	NO PIN
5A	NO PIN	5B	NO PIN
6A	NO PIN	6B	NO PIN
7A	GND LED	7B	GND LED
8A	NO PIN	8B	NO PIN
9A	NO PIN	9B	NO PIN
10A	V LED	10B	V LED
11A	NO PIN	11B	NO PIN
12A	NO PIN	12B	NO PIN
13A	NO PIN	13B	NO PIN
14A	DATA IN	14B	DATA IN
15A	RS	15B	RS
16A	NO PIN	16B	NO PIN
17A	CLOCK	17B	CLOCK
18A	CE	18B	CE
19A	BLANK	19B	BLANK
20A	GND LOGIC	20B	GND LOGIC
21A	SEL	21B	SEL
22A	V LOGIC	22B	V LOGIC
23A	NO PIN	23B	NO PIN
24A	RESET	24B	RESET
25A	OSC	25B	OSC
26A	DATA OUT	26B	DATA OUT



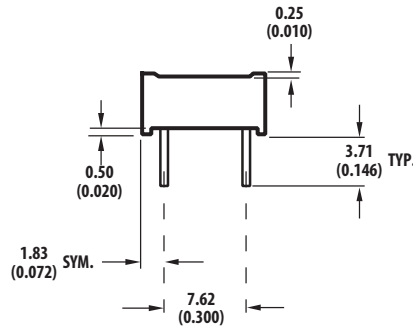
- NOTES:
1. DIMENSIONS ARE IN mm (INCHES).
 2. UNLESS OTHERWISE SPECIFIED, TOLERANCE ON DIMENSIONS IS ± 0.38 mm (0.015 INCH).
 3. LEAD MATERIAL: SOLDER PLATED COPPER ALLOY.

HCMS-296x (Package Drawing D)



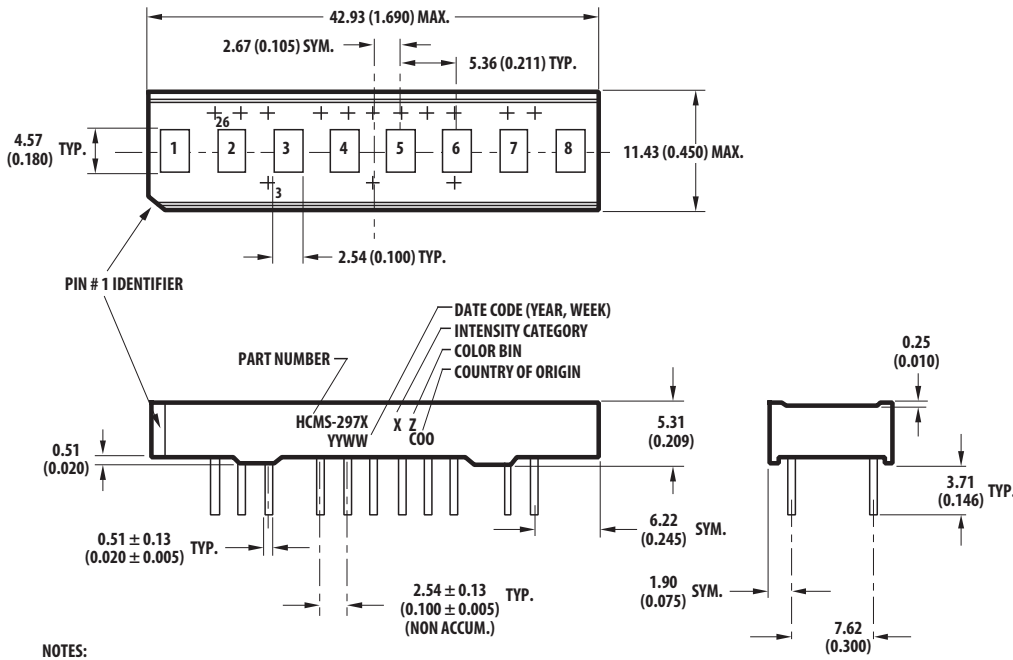
PIN FUNCTION ASSIGNMENT TABLE

PIN #	FUNCTION
1	DATA OUT
2	OSC
3	V LED
4	DATA IN
5	RS
6	CLK
7	CE
8	BLANK
9	GND
10	SEL
11	V LOGIC
12	RESET



- NOTES:
1. DIMENSIONS ARE IN mm (INCHES).
 2. UNLESS OTHERWISE SPECIFIED, THE TOLERANCE ON DIMENSIONS IS ± 0.38 mm (0.015 INCH).
 3. LEAD MATERIAL: SOLDER PLATED COPPER ALLOY.

HCMS-297X (Package Drawing E)



PIN FUNCTION ASSIGNMENT TABLE

PIN #	FUNCTION
1	NO PIN
2	NO PIN
3	V LED
4	NO PIN
5	NO PIN
6	NO PIN
7	GND LED
8	NO PIN
9	NO PIN
10	V LED
11	NO PIN
12	NO PIN
13	NO PIN
14	DATA IN
15	RS
16	NO PIN
17	CLOCK
18	CE
19	BLANK
20	GND LOGIC
21	SEL
22	V LOGIC
23	NO PIN
24	RESET
25	OSC
26	DATA OUT

- NOTES:
 1. DIMENSIONS ARE IN mm (INCHES).
 2. UNLESS OTHERWISE SPECIFIED, TOLERANCE ON DIMENSIONS IS ± 0.38 mm (0.015 INCH).
 3. LEAD MATERIAL: SOLDER PLATED COPPER ALLOY.

Absolute Maximum Ratings

Parameter	Value
Logic Supply Voltage, V_{LOGIC} to $\text{GND}_{\text{LOGIC}}$	–0.3V to 7.0V
LED Supply Voltage, V_{LED} to GND_{LED}	–0.3V to 5.5V
Input Voltage, Any Pin to GND	–0.3V to $V_{\text{LOGIC}} + 0.3\text{V}$
Free Air Operating Temperature Range T_{A} ^a	–40°C to +85°C
Relative Humidity (noncondensing)	85%
Storage Temperature, T_{S}	–55°C to +100°C
Soldering Temperature (1.59 mm [0.063 in.] Below Body)	
Solder Dipping	260°C for 5 seconds
Wave Soldering	250°C for 3 seconds
ESD Protection at 1.5 k Ω , 100 pF (each pin)	Class 1, 0–1999V
Total Package Power Dissipation at $T_{\text{A}} = 25^{\circ}\text{C}$ ^a	
4 Character	1.2 W
8 Character	2.4 W
16 Character	4.8 W

a. For operation in high ambient temperatures, see [Appendix A Thermal Considerations](#).

Recommended Operating Conditions Over Temperature Range (–40°C to +85°C)

Parameter	Symbol	Min.	Typ.	Max.	Units
Logic Supply Voltage	V_{LOGIC}	3.0	5.0	5.5	V
LED Supply Voltage	V_{LED}	4.0	5.0	5.5	V
GND_{LED} to $\text{GND}_{\text{LOGIC}}$		–0.3	0	+0.3	V

Electrical Characteristics Over Operating Temperature Range (–40°C to +85°C)

Parameter	Symbol	T _A = 25°C V _{LOGIC} = 5.0V		–40°C < T _A < 85°C 3.0V < V _{LOGIC} < 5.5V		Units	Test Conditions
		Typ.	Max.	Min.	Max.		
Input Leakage Current HCMS-290x/296x (4 char) HCMS-291x/297x (8 char) HCMS-292x (16 char)	I _I	—	+7.5	–2.5	+50	μA	V _{IN} = 0V to V _{LOGIC}
ILOGIC OPERATING HCMS-290x/296x (4 char) HCMS-291x/297x (8 char) HCMS-292x (16 char)	I _{LOGIC(OPT)}	0.4	2.5	—	5	mA	V _{IN} = V _{LOGIC}
ILOGIC SLEEP ^a HCMS-290x/296x (4 char) HCMS-291x/297x (8 char) HCMS-292x (16 char)	I _{LOGIC(SLP)}	5	15	—	25	μA	V _{IN} = V _{LOGIC}
ILED BLANK HCMS-290x/296x (4 char) HCMS-291x/297x (8 char) HCMS-292x (16 char)	I _{LED(BL)}	2.0	4	—	4.0	mA	BL = 0V
ILED SLEEP ^a HCMS-290x/296x (4 char) HCMS-291x/297x (8 char) HCMS-292x (16 char)	I _{LED(SLP)}	1	3	—	50	μA	
Peak Pixel Current ^b HCMS-29x5 (Deep Red) HCMS-29xx (Other Colors)	I _{PIXEL}	15.4	17.1	—	18.7	mA	V _{LED} = 5.5V, All pixels ON, Average value per pixel
HIGH Level Input Voltage	V _{ih}	—	—	2.0	—	V	4.5V < V _{LOGIC} < 5.5V
		—	—	0.8 V _{LOGIC}	—	V	3.0V < V _{LOGIC} < 4.5V
LOW Level Input Voltage	V _{il}	—	—	—	0.8	V	4.5V < V _{LOGIC} < 5.5V
		—	—	—	0.2 V _{LOGIC}	V	3.0V < V _{LOGIC} < 4.5V
HIGH Level Output Voltage	V _{oh}	—	—	2.0	—	V	V _{LOGIC} = 4.5V, I _{oh} = –40 μA
		—	—	0.8 V _{LOGIC}	—	V	3.0V < V _{LOGIC} < 4.5V
LOW Level Output Voltage	V _{ol}	—	—	—	0.4	V	V _{LOGIC} = 5.5V, I _{ol} = 1.6 mA ^c
		—	—	—	0.2 V _{LOGIC}	V	3.0V < V _{LOGIC} < 4.5V
Thermal Resistance	R _{θJ-P}	70	—	—	—	°C/W	IC junction to pin

a. In SLEEP mode, the internal oscillator and reference current for LED drivers are off.

b. Average peak pixel current is measured at the maximum drive current set by Control Register 0. Individual pixels may exceed this value.

c. For the oscillator output, I_{ol} = 40 μA.

Optical Characteristics at 25°C

$V_{LED} = 5.0V$, 50% Peak Current, 100% Pulse Width.

Table 1: Optical Characteristics^a

Display Color	Part Number	Luminous Intensity per LED ^b Character Average (μcd)		Peak Wavelength λ_{peak} (nm)	Dominant Wavelength λ_d^c (nm)
		Min.	Typ.	Typ.	Typ.
Deep Red	HCMS-29x5	95	770	645	637
High Efficiency Red	HCMS-29x2	64	270	635	626
Orange	HCMS-29x4	64	180	600	602
Yellow	HCMS-29x1	64	180	583	585
Green	HCMS-29x3	64	270	568	574

a. Measured at 25°C, the initial case temperature of the device.

b. Measured with all LEDs illuminated.

c. Dominant wavelength, λ_d , is derived from the CIE chromaticity diagram and represents the single wavelength, which defines the perceived LED color.

Electrical Description

Pin Function	Description
RESET (\overline{RST})	Sets Control Register bits to logic low. The Dot Register contents are unaffected by the Reset pin (logic low = reset; logic high = normal operation).
DATA IN (D_{IN})	Serial Data input for Dot or Control Register data. Data is entered on the rising edge of the Clock input.
DATA OUT (D_{OUT})	Serial Data output for Dot or Control Register data. This pin is used for cascading multiple displays.
CLOCK (CLK)	Clock input for writing Dot or Control Register data. When Chip Enable is logic low, data is entered on the rising Clock edge.
REGISTER SELECT (RS)	Selects Dot Register (RS = logic low) or Control Register (RS = logic high) as the destination for serial data entry. The logic level of RS is latched on the falling edge of the Chip Enable input.
CHIP ENABLE (\overline{CE})	This input must be a logic low to write data to the display. When \overline{CE} returns to logic high and CLK is logic low, data is latched to either the LED output drivers or a Control Register.
OSCILLATOR SELECT (SEL)	Selects either an internal or external display oscillator source (logic low = external display oscillator; logic high = internal display oscillator).
OSCILLATOR (OSC)	Output for the internal display oscillator (SEL = logic high) or input for an external display oscillator (SEL = logic low).
BLANK (BL)	Blanks the display when logic high. May be modulated for brightness control.
GND_{LED}	Ground for LED drivers.
GND_{LOGIC}	Ground for logic.
V_{LED}	Positive supply for LED drivers.
V_{LOGIC}	Positive supply for logic.

AC Timing Characteristics Over Temperature Range (−40°C to +85°C)

Timing Diagram Reference Number	Description	Symbol	4.5V < V _{LOGIC} < 5.5V		V _{LOGIC} = 3V		Units
			Min.	Max.	Min.	Max.	
1	Register Select Setup Time to Chip Enable	t _{r_{ss}}	10	—	10	—	ns
2	Register Select Hold Time to Chip Enable	t _{r_{sh}}	10	—	10	—	ns
3	Rising Clock Edge to Falling Chip Enable Edge	t _{clkce}	20	—	20	—	ns
4	Chip Enable Setup Time to Rising Clock Edge	t _{ces}	35	—	55	—	ns
5	Chip Enable Hold Time to Rising Clock Edge	t _{ceh}	20	—	20	—	ns
6	Data Setup Time to Rising Clock Edge	t _{ds}	10	—	10	—	ns
7	Data Hold Time after Rising Clock Edge	t _{dh}	10	—	10	—	ns
8	Rising Clock Edge to DOUT [1]	t _{dout}	10	40	10	65	ns
9	Propagation Delay DIN to DOUT Simultaneous Mode for One IC [1,2]	t _{doutp}	—	18	—	30	ns
10	CE Falling Edge to DOUT Valid	t _{cedo}	—	25	—	45	ns
11	Clock High Time	t _{clkh}	80	—	100	—	ns
12	Clock Low Time	t _{ckl}	80	—	100	—	ns
	Reset Low Time	t _{r_{stl}}	50	—	50	—	ns
	Clock Frequency	F _{cyc}	—	5	—	4	MHz
	Internal Display Oscillator Frequency	F _{inosc}	80	210	80	210z	kHz
	Internal Refresh Frequency	F _{rf}	150	410	150	400	Hz
	External Display Oscillator Frequency	F _{exosc}					
	Prescaler = 1		51.2	1000	51.2	1000	kHz
	Prescaler = 8		410	8000	410	8000	kHz

NOTE:

1. Timing specifications increase 0.3 ns per pF of capacitive loading above 15 pF.
2. This parameter is valid for Simultaneous Mode data entry of the Control Register.

Display Overview

The HCMS-29xx series is a family of LED displays driven by on-board CMOS ICs. The LEDs are configured as 5×7 font characters and are driven in groups of four characters per IC. Each IC consists of a 160-bit shift register (the Dot Register), two 7-bit Control Words, and refresh circuitry. The Dot Register contents are mapped on a one-to-one basis to the display. Thus, an individual Dot Register bit uniquely controls a single LED.

Eight-character displays have two ICs that are cascaded. The Data Out line of the first IC is internally connected to the Data In line of the second IC forming a 320-bit Dot Register. The display’s other control and power lines are connected directly to both ICs. In 16-character displays, each row functions as an independent eight-character display with its own 320-bit Dot Register.

Reset

Reset initializes the Control Registers (sets all Control Register bits to logic low) and places the display in the sleep mode. The $\overline{\text{Reset}}$ pin should be connected to the system power-on reset circuit. The Dot Registers are not cleared upon power-on or by Reset. After power-on, the Dot Register contents are random; however, $\overline{\text{Reset}}$ will put the display in sleep mode, thereby blanking the LEDs. The Control Register and the Control Words are cleared to all zeros by Reset.

To operate the display after being Reset, load the Dot Register with logic lows. Then load Control Word 0 with the desired brightness level and set the sleep mode bit to logic high.

Dot Register

The Dot Register holds the pattern to be displayed by the LEDs. Data is loaded into the Dot Register according to the procedure shown in Table 2 and Figure 1.

First RS is brought low, then $\overline{\text{CE}}$ is brought low. Next, each successive rising CLK edge will shift in the data at the D_{IN} pin. Loading a logic high will turn the corresponding LED on; a logic low turns the LED off. When all 160 bits have been loaded (or 320 bits in an eight-digit display), $\overline{\text{CE}}$ is brought to logic high.

Table 2: Register Truth Table

Function	CLK	$\overline{\text{CE}}$	RS
Select Dot Register	Not Rising	↓	L
Load Dot Register $D_{\text{IN}} = \text{HIGH}$, LED = "ON" $D_{\text{IN}} = \text{LOW}$, LED = "OFF"	↑	L	X
Copy Data from Dot Register to Dot Latch	L	H	X
Select Control Register	Not Rising	↓	H
Load Control Register [1,3]	↑	L	X
Latch Data to Control Word [2]	L	↑	X

NOTE:

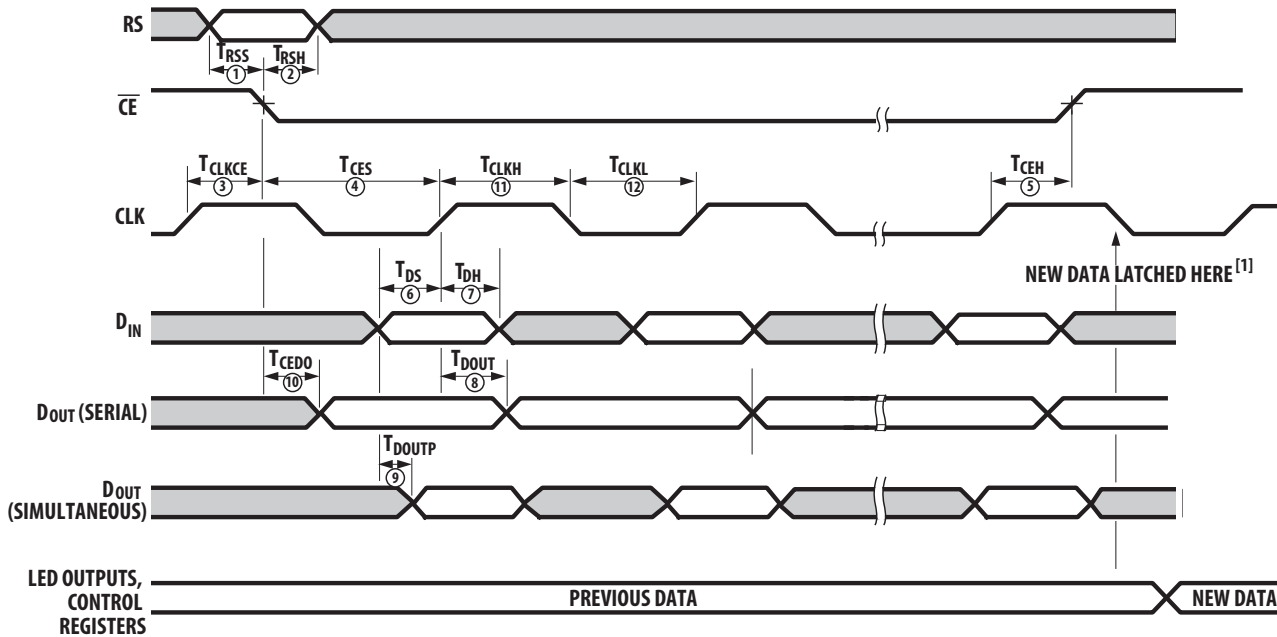
1. Bit D0 of Control Word 1 must have been previously set to Low for serial mode or High for simultaneous mode.
2. Selection of Control Word 1 or Control Word 0 is set by D_7 of the Control Shift Register. The unselected control word retains its previous value.
3. Control Word data is loaded Most Significant Bit (D_7) first.

When CLK is next brought to logic low, new data is latched into the display dot drivers. Loading data into the Dot Register takes place while the previous data is displayed and eliminates the need to blank the display while loading data.

Pixel Map

In a four-character display, the 160-bits are arranged as 20 columns by 8 rows. This array can be conceptualized as four 5x8 dot matrix character locations, but only seven of the eight rows have LEDs (see Figure 2 and Figure 3). The bottom row (row 0) is not used. Thus, latch location 0 is never displayed. Column 0 controls the left-most column. Data from Dot Latch locations 0 to 7 determine whether pixels in Column 0 are turned on or turned off. Therefore, the lower-left pixel is turned on when a logic high is stored in Dot Latch location 1. Characters are loaded in serially, with the left-most character being loaded first and the right-most character being loaded last. By loading one character at a time and latching the data before loading the next character, the figures will appear to scroll from right to left.

Figure 1: HCMS-29xx Write Cycle Diagram



NOTE:
 1. DATA IS COPIED TO THE CONTROL REGISTER OR THE DOT LATCH AND LED OUTPUTS WHEN \overline{CE} IS HIGH AND CLK IS LOW.

Control Register

The Control Register allows software modification of the IC's operation and consists of two independent 7-bit control words. Bit D_7 in the shift register selects one of the two 7-bit control words. Control Word 0 performs pulse width modulation brightness control, peak pixel current brightness control, and sleep mode. Control Word 1 sets serial/simultaneous data out mode, and external oscillator prescaler. Each function is independent of the others.

Control Register Data Loading

Data is loaded into the Control Register, MSB first, according to the procedure shown in Table 2 and Figure 1. First, RS is brought to logic high and then \overline{CE} is brought to logic low. Next, each successive rising CLK edge will shift in the data on the D_{IN} pin. Finally, when 8 bits have been loaded, the \overline{CE} line is brought to logic high. When CLK goes to logic low, new data is copied into the selected control word. Loading data into the Control Register takes place while the previous control word configures the display.

Control Word 0

Loading the Control Register with $D_7 =$ Logic low selects Control Word 0 (see Figure 4). Bits D_0 to D_3 adjust the display brightness by pulse width modulating the LED on-time, while bits D_4 to D_5 adjust the display brightness by changing the peak pixel current. Bit D_6 selects normal operation or sleep mode.

Sleep mode (Control Word 0, bit $D_6 =$ Low) turns off the Internal display oscillator and the LED pixel drivers. This mode is used when the IC must be powered up, but does not need to be active. Current draw in sleep mode is nearly zero. Data in the Dot Register and Control Words is retained during sleep mode.

Figure 2: HCM-29xx Internal Block Diagram

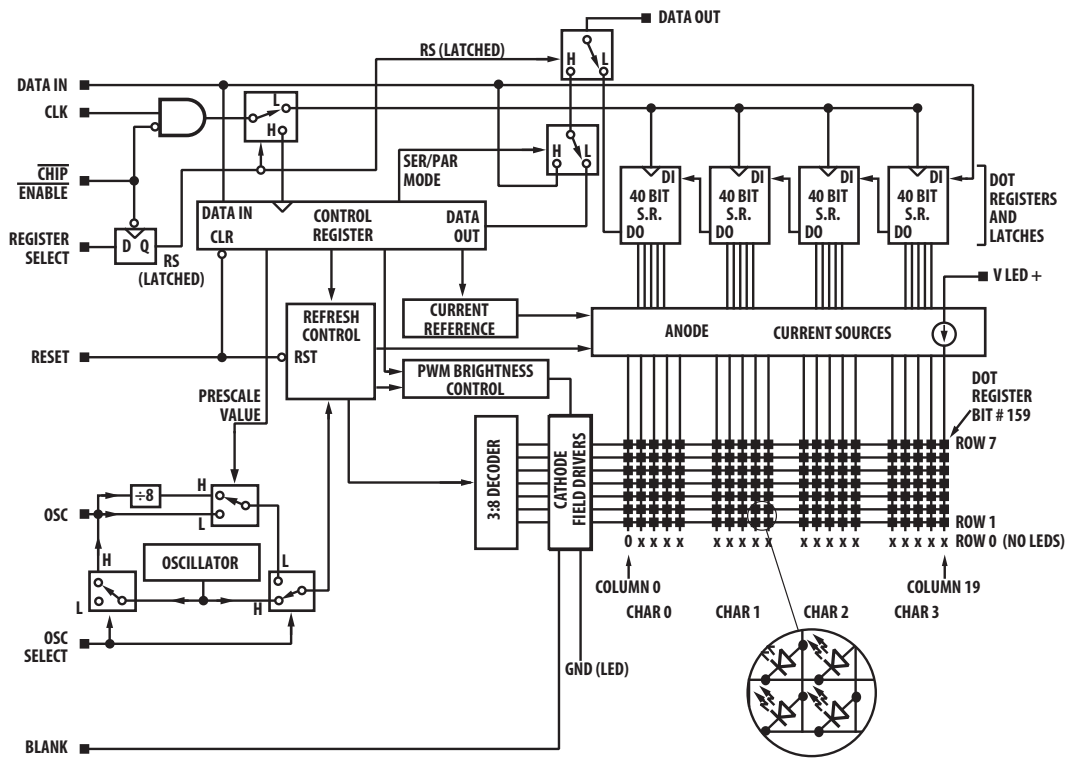
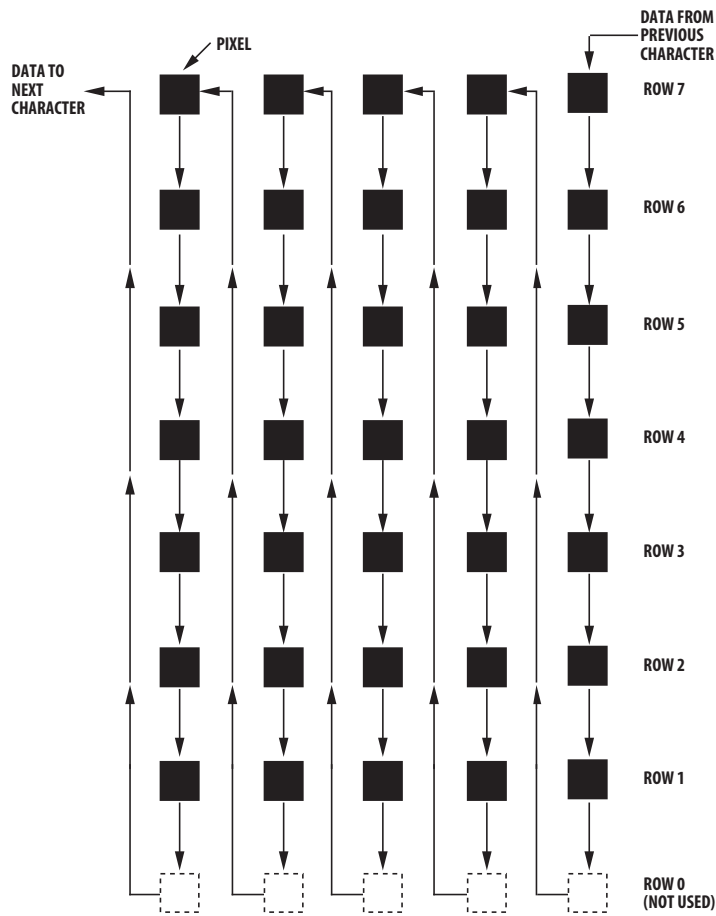


Figure 3: Data Loading Sequence



Control Word 1

Loading the Control Register with D7 = logic high selects Control Word 1. This Control Word performs two functions: serial/simultaneous data out mode and external oscillator prescale select (see Figure 4).

Serial/Simultaneous Data Output D₀

Bit D₀ of control word 1 is used to switch the mode of D_{OUT} between serial and simultaneous data entry during Control Register writes. The default mode (logic low) is the serial D_{OUT} mode. In serial mode, D_{OUT} is connected to the last bit (D₇) of the Control Shift Register.

Storing a logic high to bit D₀ changes D_{OUT} to simultaneous mode, which affects the Control Register only. In simultaneous mode, D_{OUT} is logically connected to D_{IN}. This arrangement allows multiple ICs to have their Control Registers written to simultaneously. For example, for N ICs in the serial mode, N × 8 clock pulses are needed to load the same data in all Control Registers. In the simultaneous mode, N ICs only need eight clock pulses to load the same data in all Control Registers. The propagation delay from the first IC to the last is N × t_{DOUTP}.

External Oscillator Prescaler Bit D₁

Bit D₁ of Control Word 1 scales the frequency of an external display oscillator. When this bit is logic low, the external display oscillator directly sets the internal display clock rate. When this bit is a logic high, the external oscillator is divided by 8. This scaled frequency then sets the internal display clock rate. It takes 512 cycles of the display clock (or $8 \times 512 = 4096$ cycles of an external clock with the divide by 8 prescaler) to completely refresh the display once. Using the prescaler bit allows the designer to use a higher external oscillator frequency without extra circuitry.

This bit has no affect on the internal display oscillator frequency.

Bits D₂ to D₆

These bits must always be programmed to logic low.

Cascaded ICs

Figure 5 shows how two ICs are connected within an HCMS-29xx display. The first IC controls the four left-most characters and the second IC controls the four right-most characters. The Dot Registers are connected in series to form a 320-bit dot shift register. The location of pixel 0 has not changed. However, Dot Shift Register bit 0 of IC2 becomes bit 160 of the 320-bit dot shift register.

The Control Registers of the two ICs are independent of each other. This means that to adjust the display brightness, the same control word must be entered into both ICs, unless the Control Registers are set to simultaneous mode.

Longer character string systems can be built by cascading multiple displays together. This is accomplished by creating a five-line bus. This bus consists of \overline{CE} , RS, BL, \overline{Reset} , and CLK. The display pins are connected to the corresponding bus line. Thus, all \overline{CE} pins are connected to the \overline{CE} bus line. Similarly, bus lines for RS, BL, \overline{Reset} , and CLK are created. Then D_{IN} is connected to the right-most display. D_{OUT} from this display is connected to the next display. The left-most display receives its D_{IN} from the D_{OUT} of the display to its right. D_{OUT} from the left-most display is not used.

Each display may be set to use its internal oscillator, or the displays may be synchronized by setting up one display as the master and the others as slaves. The slaves are set to receive their oscillator input from the master's oscillator output.

Figure 4: Control Shift Register

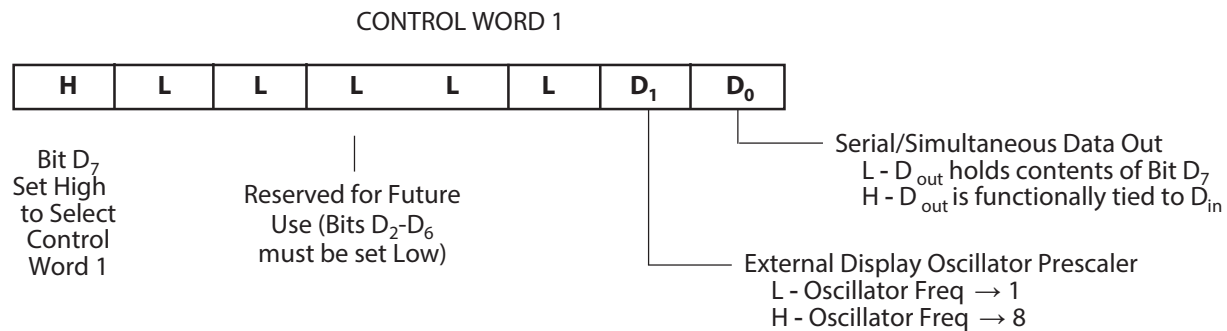
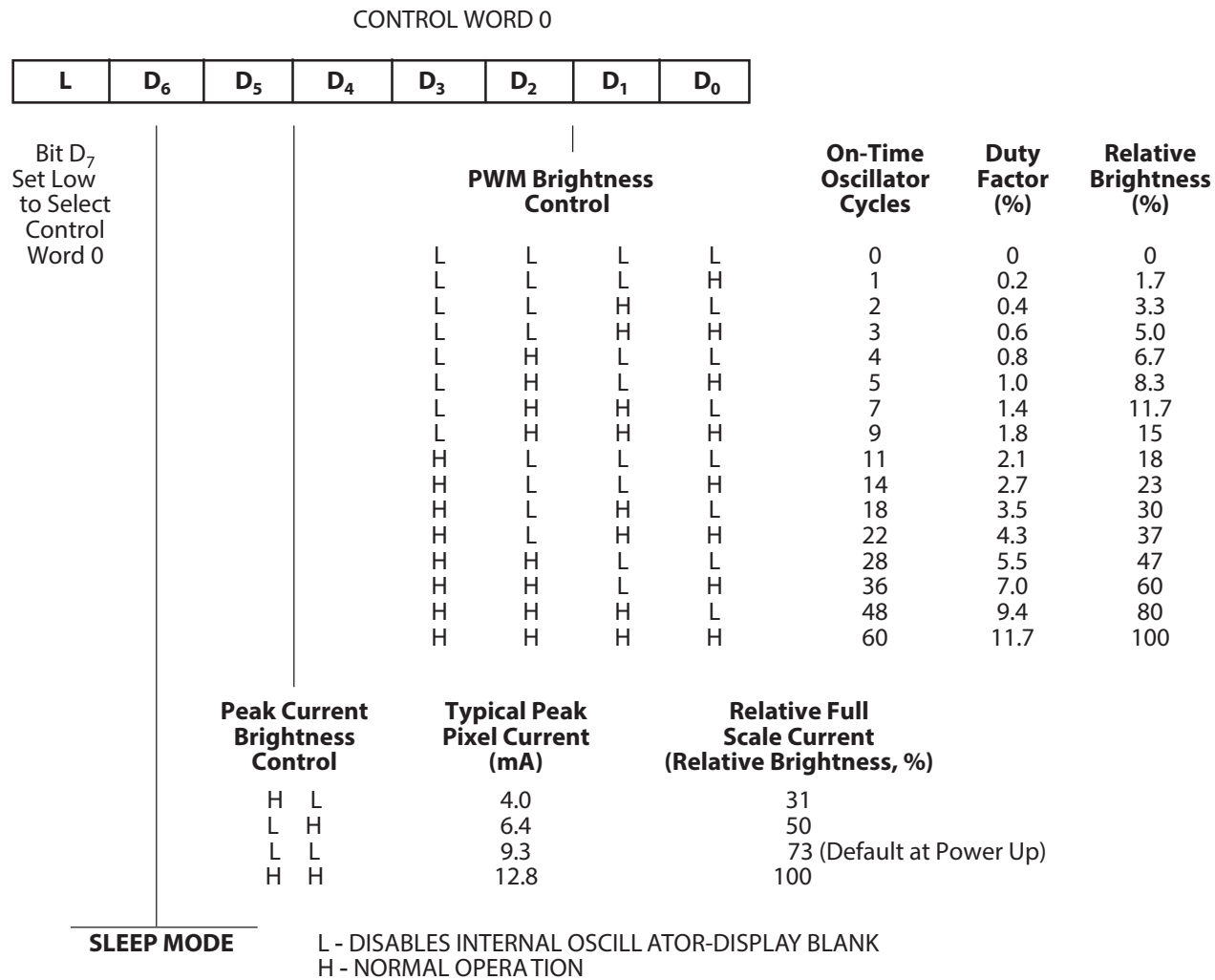
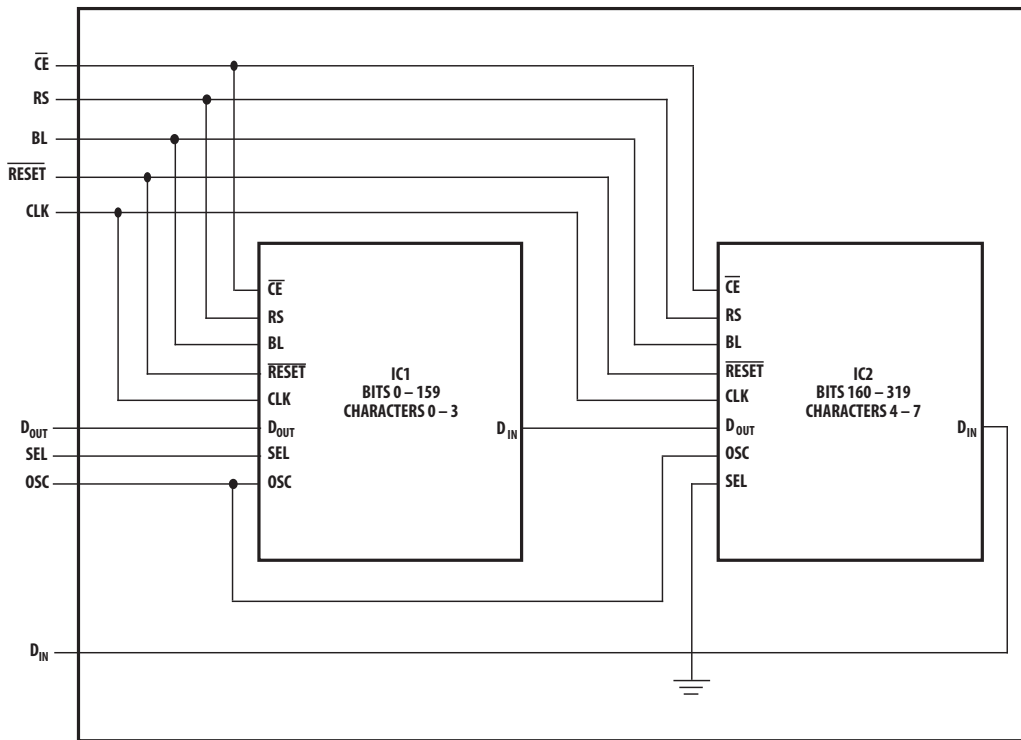


Figure 5: Cascaded ICs



Appendix A Thermal Considerations

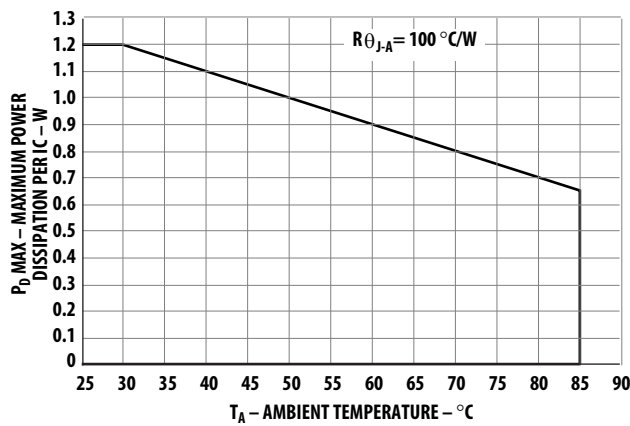
The display IC has a maximum junction temperature of 150°C. The IC junction temperature can be calculated with [Equation 1](#).

A typical value for $R_{\theta J-A}$ is 100 °C/W. This value is typical for a display mounted in a socket and covered with a plastic filter. The socket is soldered to a 0.062-in. thick PCB with 0.020 in. wide, one oz copper traces.

P_D can be calculated as in [Equation 2](#).

[Figure 6](#) shows how to derate the power of one IC versus ambient temperature. Operation at high ambient temperatures may require the power per IC to be reduced. The power consumption can be reduced by changing either the N, I_{PIXEL} , Osc cyc or V_{LED} . Changing V_{LOGIC} has very little impact on the power consumption.

Figure 6: Maximum Power Dissipation vs. Ambient Temperature



Appendix B Electrical Considerations

Equation 1:

$$T_{JMAX} = T_A + P_D \times R_{\theta JA}$$

Where

T_{JMAX} = Maximum IC junction temperature

T_A = Ambient temperature surrounding the display

$R_{\theta JA}$ = Thermal resistance from the IC junction to ambient

P_D = Power dissipated by the IC

Equation 2:

$$P_D = (N \times I_{PIXEL} \times \text{Duty Factor} \times V_{LED}) + I_{LOGIC} \times V_{LOGIC}$$

Where:

P_D = Total power dissipation

N = Number of pixels on (maximum four characters \times 5 \times 7 = 140)

I_{PIXEL} = Peak pixel current

Duty Factor = $(1/8) \times (\text{Osc cyc}/64)$

Osc cyc = Number of ON oscillator cycles per row

I_{LOGIC} = IC logic current

V_{LOGIC} = Logic supply voltage

Equation 3:

$$I_{PEAK} = M \times 20 \times I_{PIXEL}$$

Where:

I_{PEAK} = Maximum instantaneous peak current for the display

M = Number of ICs in the system

20 = Maximum number of LEDs on per IC

I_{PIXEL} = Peak current for one LED

Equation 4:

$$I_{LED(AVG)} = N \times I_{PIXEL} \times (1/8) \times (\text{oscillator cycles} / 64)$$

(See variable definitions in the preceding equations.)

Current Calculations

The peak and average display current requirements have a significant impact on power supply selection. The maximum peak current is calculated with [Equation 3](#).

The average current required by the display can be calculated with [Equation 4](#).

The power supply has to be able to supply I_{PEAK} transients and supply $I_{LED(AVG)}$ continuously. The range on V_{LED} allows noise on this supply without significantly changing the display brightness.

V_{LOGIC} and V_{LED} Considerations

The display uses two independent electrical systems. One system powers the display's logic and the other powers the display's LEDs. These two systems keep the logic supply clean.

Separate electrical systems allow the voltage applied to V_{LED} and V_{LOGIC} to be varied independently. Thus, V_{LED} can vary from 0V to 5.5V without affecting either the Dot or the Control Registers. V_{LED} can be varied between 4.0V to 5.5V without any noticeable variation in light output. However, operating V_{LED} below 4.0V may cause objectionable mismatch between the pixels and should not be used. Dimming the display by pulse width modulating V_{LED} should not be used.

V_{LOGIC} varies from 3.0V to 5.5V without affecting either the displayed message or the display intensity. However, operation below 4.5V changes the timing and logic levels, and operation below 3V may cause the Dot and Control Registers to be altered.

The logic ground is internally connected to the LED ground by a substrate diode. This diode becomes forward biased and conducts when the logic ground is 0.4V greater than the LED ground. Connect the LED ground and the logic ground to a common ground, which can withstand the current introduced by the switching LED drivers. When separate ground connections are used, the LED ground can vary from $-0.3V$ to $+0.3V$ with respect to the logic ground. Voltages below $-0.3V$ can cause all the dots to be ON. Voltages above $+0.3V$ can cause dimming and dot mismatch. The LED ground for the LED drivers can be routed separately from the logic ground until an appropriate ground plane is available. On long interconnections between the display and the host system, voltage drops on the analog ground can be kept from affecting the display logic levels by isolating the two grounds.

Electrostatic Discharge

The inputs to the ICs are protected against static discharge and input current latchup. However, for best results, use standard CMOS handling precautions. Before use, store the HCMS-29xx in antistatic tubes or in conductive material. During assembly, use a grounded conductive work area, and assembly personnel should wear conductive wrist straps. Avoid lab coats made of synthetic material because they are prone to static buildup. Input current latchup is caused when the CMOS inputs are subjected to either a voltage below ground ($V_{IN} < \text{ground}$) or to a voltage higher than V_{LOGIC} ($V_{IN} > V_{LOGIC}$) and when a high current is forced into the input. To prevent input current latchup and ESD damage, connect unused inputs to either ground or V_{LOGIC} . Voltages should not be applied to the inputs until V_{LOGIC} has been applied to the display.

Appendix C Oscillator

The oscillator provides the internal refresh circuitry with a signal that is used to synchronize the columns and rows. This ensures that the right data is in the dot drivers for that row. This signal can be supplied from either an external source or the internal source.

A display refresh rate of 100 Hz or faster ensures flicker-free operation. Thus, for an external oscillator, the frequency should be greater than or equal to $512 \times 100 \text{ Hz} = 51.2 \text{ kHz}$. Operation above 1 MHz without the prescaler or 8 MHz with the prescaler may cause noticeable pixel to pixel mismatch.

Appendix D Refresh Circuitry

This display driver consists of 20 one-of-eight column decoders and 20 constant current sources, 1 one-of-eight row decoder and eight row sinks, a pulse width modulation control block, a peak current control block, and the circuit to refresh the LEDs. The refresh counters and oscillator are used to synchronize the columns and rows.

The 160 bits are organized as 20 columns by 8 rows. The IC illuminates the display by sequentially turning ON each of the eight row-drivers. To refresh the display once takes 512 oscillator cycles. Because there are eight row drivers, each row driver is selected for 64 ($512 / 8$) oscillator cycles. Four cycles are used to briefly blank the display before the following row is switched on. Thus, each row is ON for 60 oscillator cycles out of a possible 64. This corresponds to the maximum LED on time.

Appendix E Display Brightness

You can control the brightness of this LED display in two ways: setting the peak current and setting the duty factor. Both values are set in Control Word 0. To compute the resulting display brightness when both PWM and peak current control are used, multiply the two relative brightness factors. For example, if Control Register 0 holds the word 1001101, the peak current is 73% of full scale (BIT $D_5 = L$, BIT $D_4 = L$) and the PWM is set to 60% duty factor (BIT $D_3 = H$, BIT $D_2 = H$, BIT $D_1 = L$, BIT $D_0 = H$). The resulting brightness is 44% ($0.73 \times 0.60 = 0.44$) of full scale.

The temperature of the display also affects the LED brightness as shown in [Figure 7](#).

Intensity Bin Limits for HCMS-29xx (Except for HCMS-29x5)

Bin	Intensity Range (mcd)	
	Min.	Max.
D	1.18	2.07
E	1.78	3.13
F	2.70	4.64
G	4.00	7.00
H	6.00	10.50
I	9.00	15.75
J	13.58	23.88
K	20.59	36.03
L	31.06	54.35

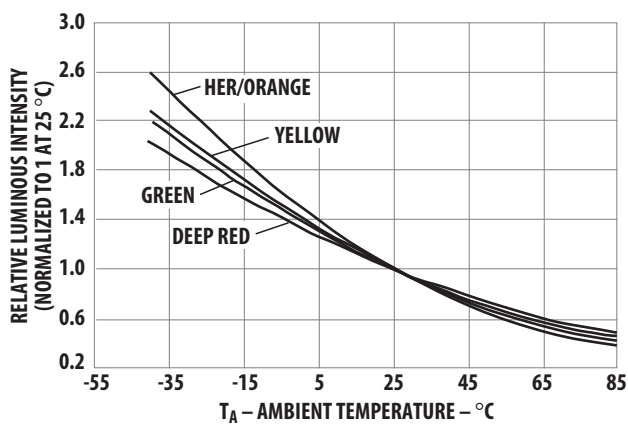
NOTE: Test conditions as specified in [Optical Characteristics at 25°C](#).

Intensity Bin Limits for HCMS-29x5

Bin	Intensity Range (mcd)	
	Min.	Max.
H	6.00	10.50
I	9.00	15.75
J	13.58	23.88
K	20.59	36.03
L	31.06	54.35
M	46.45	80.41

NOTE: Test conditions as specified in [Optical Characteristics at 25°C](#).

Figure 7: Relative Luminous Intensity vs. Ambient Temperature



Appendix F Reference Material

Application Note 1027: *Soldering LED Components*

Application Note 1015: *Contrast Enhancement Techniques for LED Displays*

Appendix G Packing Information

Products are packed in tube as shown in [Figure 8](#).

Part Number	Maximum Units per Tube
HCMS-290x	20
HCMS-296x	
HCMS-291x	10
HCMS-297x	
HCMS-292x	

Figure 8: Packing Tube for the HCMS-29xx



Broadcom, the pulse logo, Connecting everything, Avago Technologies, Avago, and the A logo are among the trademarks of Broadcom and/or its affiliates in the United States, certain other countries, and/or the EU.

Copyright © 2015–2021 Broadcom. All Rights Reserved.

The term “Broadcom” refers to Broadcom Inc. and/or its subsidiaries. For more information, please visit www.broadcom.com.

Broadcom reserves the right to make changes without further notice to any products or data herein to improve reliability, function, or design. Information furnished by Broadcom is believed to be accurate and reliable. However, Broadcom does not assume any liability arising out of the application or use of this information, nor the application or use of any product or circuit described herein, neither does it convey any license under its patent rights nor the rights of others.

Mouser Electronics

Authorized Distributor

Click to View Pricing, Inventory, Delivery & Lifecycle Information:

Broadcom Limited:

[HCMS-2901](#) [HCMS-2902](#) [HCMS-2903](#) [HCMS-2904](#) [HCMS-2905](#) [HCMS-2911](#) [HCMS-2912](#) [HCMS-2913](#) [HCMS-2914](#) [HCMS-2915](#) [HCMS-2921](#) [HCMS-2922](#) [HCMS-2923](#) [HCMS-2924](#) [HCMS-2925](#) [HCMS-2961](#) [HCMS-2962](#) [HCMS-2963](#) [HCMS-2964](#) [HCMS-2965](#) [HCMS-2971](#) [HCMS-2972](#) [HCMS-2973](#) [HCMS-2974](#) [HCMS-2975](#)