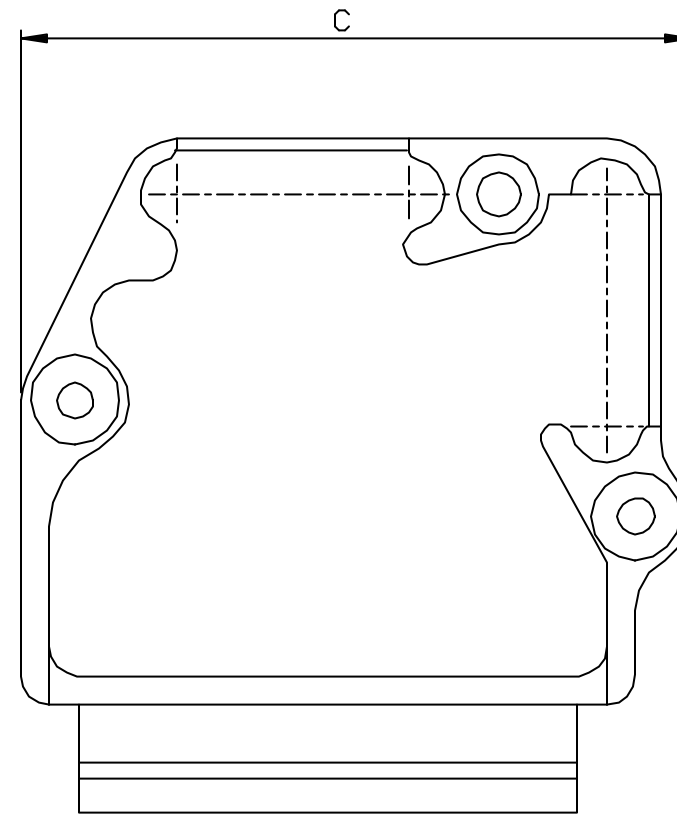
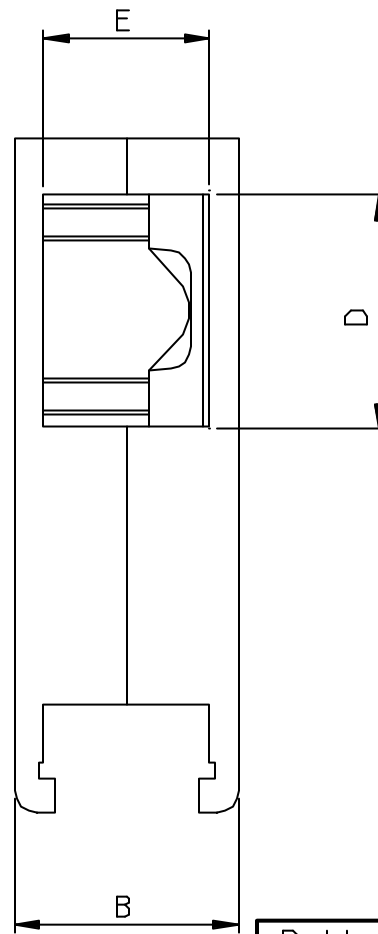
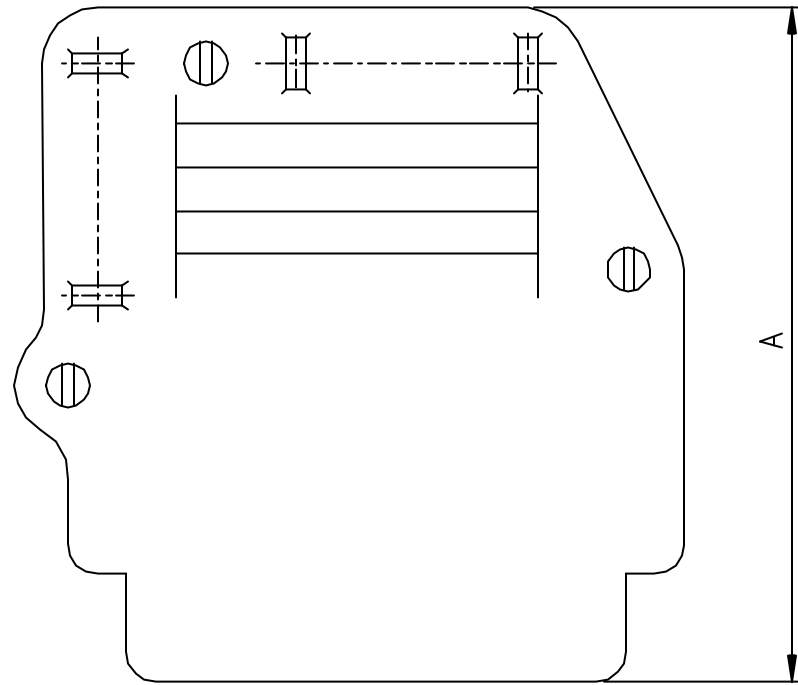


Tous droits strictement réservés. Reproduction ou communication à des tiers interdite sans quelque forme que ce soit sans autorisation écrite du propriétaire. Propriété de FCI. Droits de reproduction FCI.

FCI

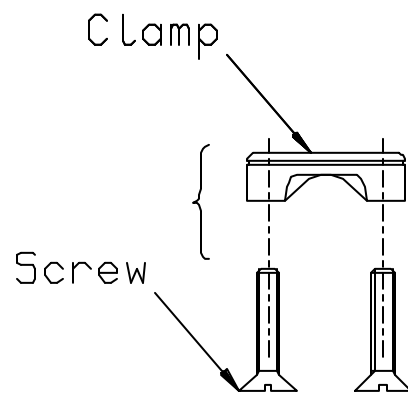
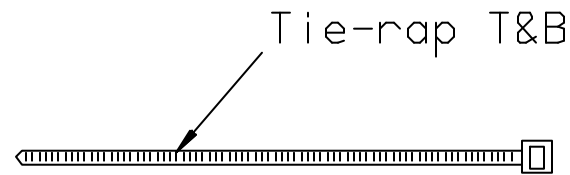
All rights strictly reserved. Reproduction or issue to third parties in any form whatever is not permitted without written authority from the proprietor. Property of FCI. Copyright FCI.



MATERIAL:
thermoplastic

TEMPERATURE RANGE:
-Climatic category -55°/ +95°

PACKAGING:
Box of 50 individual sets



Pull Parts

Shell size	Number of contacts	A	B	C	With clamp		Without clamp		PART NUMBER	
					D	E		D		E
						mini	maxi			
E	09	29.75	15.50	24.25	6.00	1.90	10.10	8.00	11.50	863093C09A
A	15	29.75	15.50	32.50	6.00	1.90	10.10	8.00	11.50	863093C15A
B	25	46.50	15.50	46.00	13.50	2.60	10.10	16.00	11.50	863093C25A
C	37	46.50	15.50	60.50	13.50	2.60	10.10	16.00	11.50	863093C37A

Dimensions are in millimeters

European view

FCI www.fciconnect.com		150 1302	tolerance 150 406 150 1101	projection 	mm
Dr	PESSON	12/02/97	Product family	SUB	size
Eng	P LEGARE	-	Spec ref	-	A3
Chr	-	-	Material	SEE NOTES	ECN
Appr	-	-			LS05-0084
title					Scale
UNIVERSAL PLASTIC HOOD					2
catalog no					Rev.
- CUSTOMER COPY					G
					sheet 1 of 1

Ltr	ecn no	dr	date
E	LS5011	MPE	06/01/05
F	LS05-050	MPE	25/05/05
G	LS05-0084	MPE	29/09/05
-	-	-	-
-	-	-	-
-	-	-	-