

DO NOT SCALE

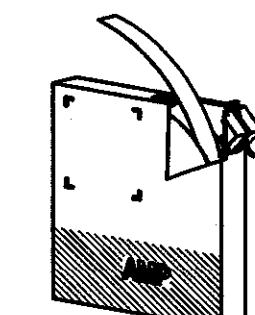
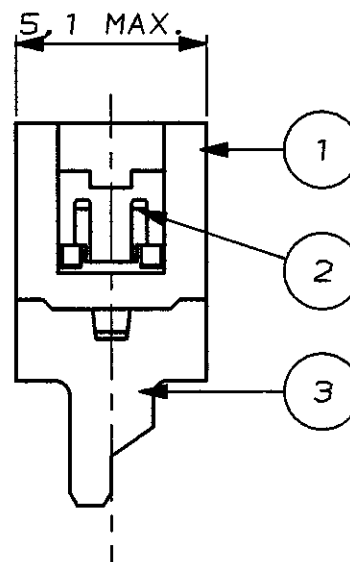
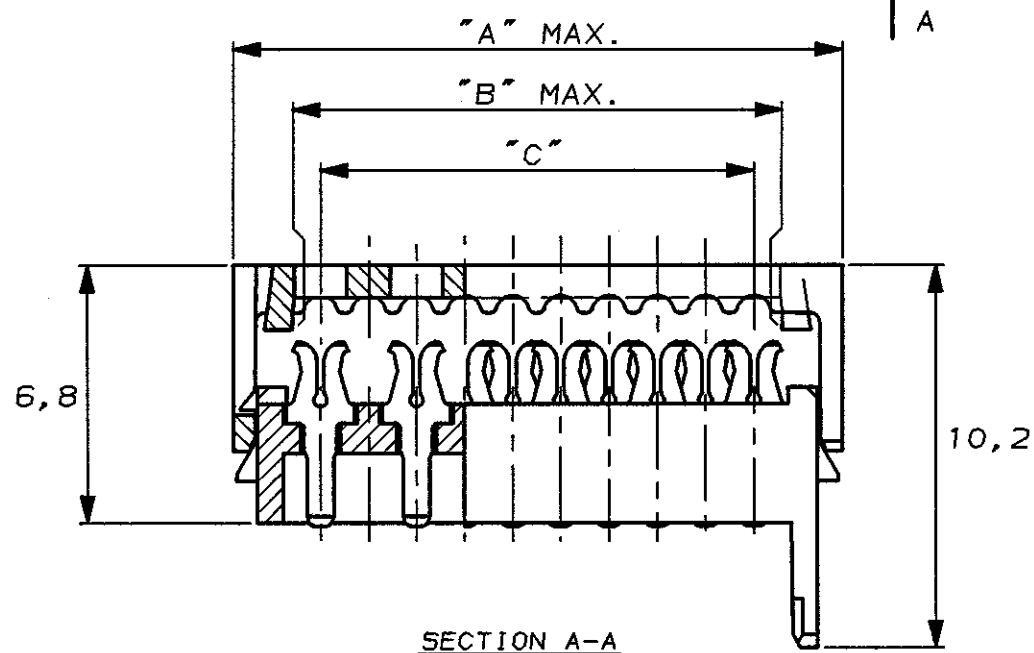
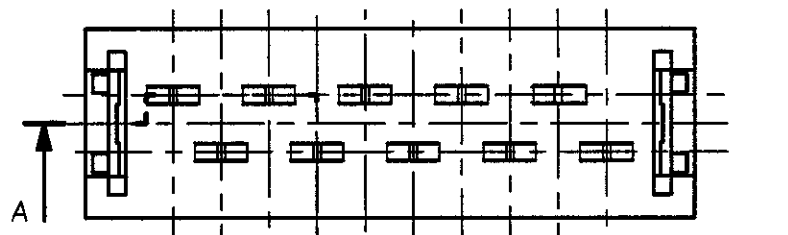
DIMENSIONS IN mm

METRIC

THIRD ANGLE
PROJECTION

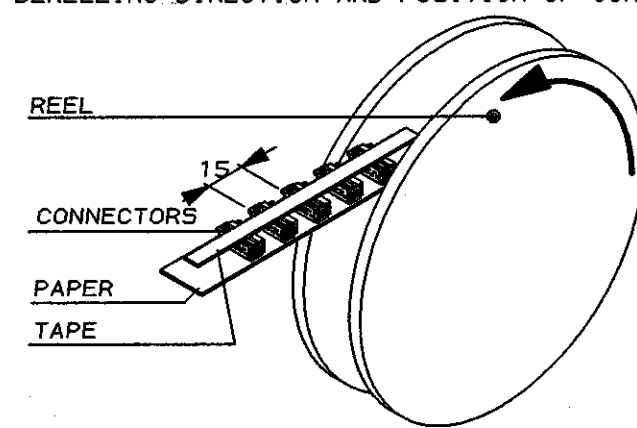


NUMBER OF POSITIONS	PARTNUMBER BOXPACKAGING	PARTNUMBER REELPACKAGING	NUMBER OF POSITIONS	DIMENSION		
				"A" MAX.	"B" MAX.	"C"
4	7-215083-4	0-215083-4	4	8,6	5,4	3,81
6	7-215083-6	0-215083-6	6	11,1	8,0	6,35
8	7-215083-8	0-215083-8	8	13,6	10,5	8,89
10	8-215083-0	1-215083-0	10	16,2	13,0	11,43
12	8-215083-2	1-215083-2	12	18,7	15,6	13,97
14	8-215083-4	1-215083-4	14	21,3	18,1	16,51
16	8-215083-6	1-215083-6	16	23,8	20,7	19,05
18	8-215083-8	1-215083-8	18	26,3	23,2	21,59
20	9-215083-0	2-215083-0	20	28,9	25,7	24,13

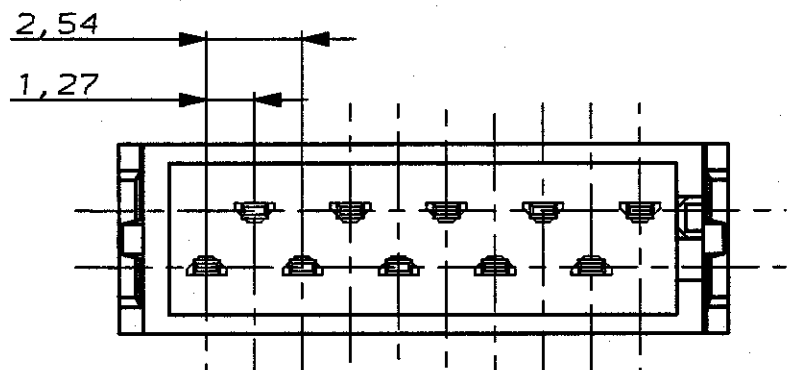


250 CONNECTORS PER BOX

DEREELING DIRECTION AND POSITION OF CONNECTORS



2500 CONNECTORS PER REEL



NOTE

1. 10 POSITIONS AS SHOWN

DESCRIPTION	MATERIAL	ITEM
MALE HOUSING	GLASS FILLED POLYESTER (RED)	3
MALE CONTACT	PHBR. PLATING TIN-LEAD 93-7	2
COVER	GLASS FILLED POLYESTER (RED)	1

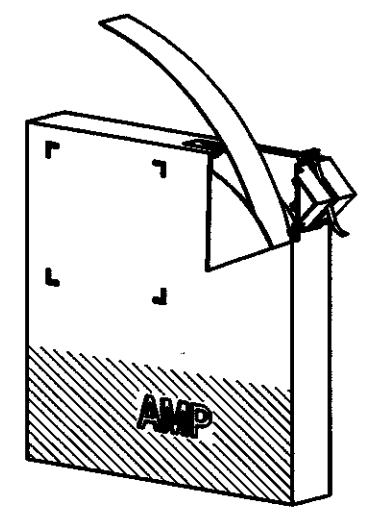
-					CUSTOMER DRAWING		FOR REFERENCE ONLY WILL NOT BE UPDATED					
-					© COPYRIGHT 19-		BY AMP HOLLAND B.V.					
-					ALL INTERNATIONAL RIGHTS RESERVED.		AMP PRODUCTS MAY BE COVERED BY U.S. AND FOREIGN AND/OR PATENTS PENDING.					
-					THIS DRAWING IS UNPUBLISHED		RELEASED FOR PUBLICATION					
-					AMP		AMP HOLLAND B.V. 's-Hertogenbosch, The Netherlands.					
P	EH-1428-95	HvD	HvD	01.96	NAME MicroMatch MALE ASS'Y PITCH 1,27 mm							
N	-	PvT	H.K.	01.85								
LTR.	REVISION RECORD	DR.	CHK.	DATE								
DR.:	P.v.Tongeren	CHK.:	H.Kokken	APP.:	-	DWG.No.	C-215083	REV.LTR.	P	SHEET	1 OF 2	A3
DATE:	-	DATE:	-	DATE:	-							

DO NOT SCALE
DIMENSIONS IN mm

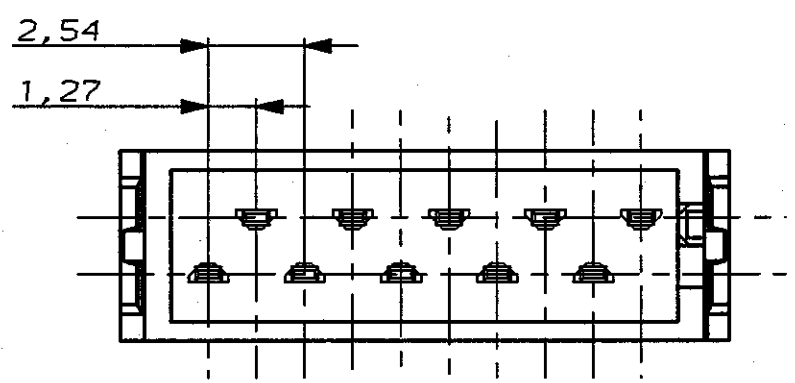
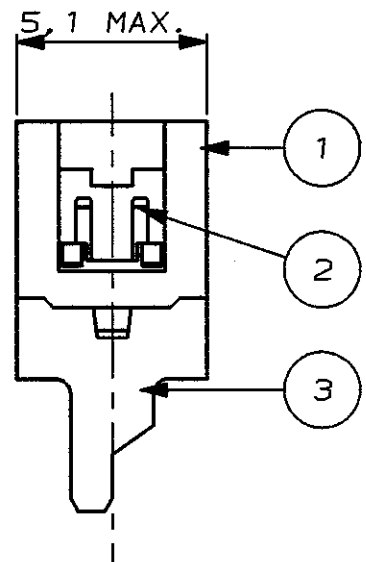
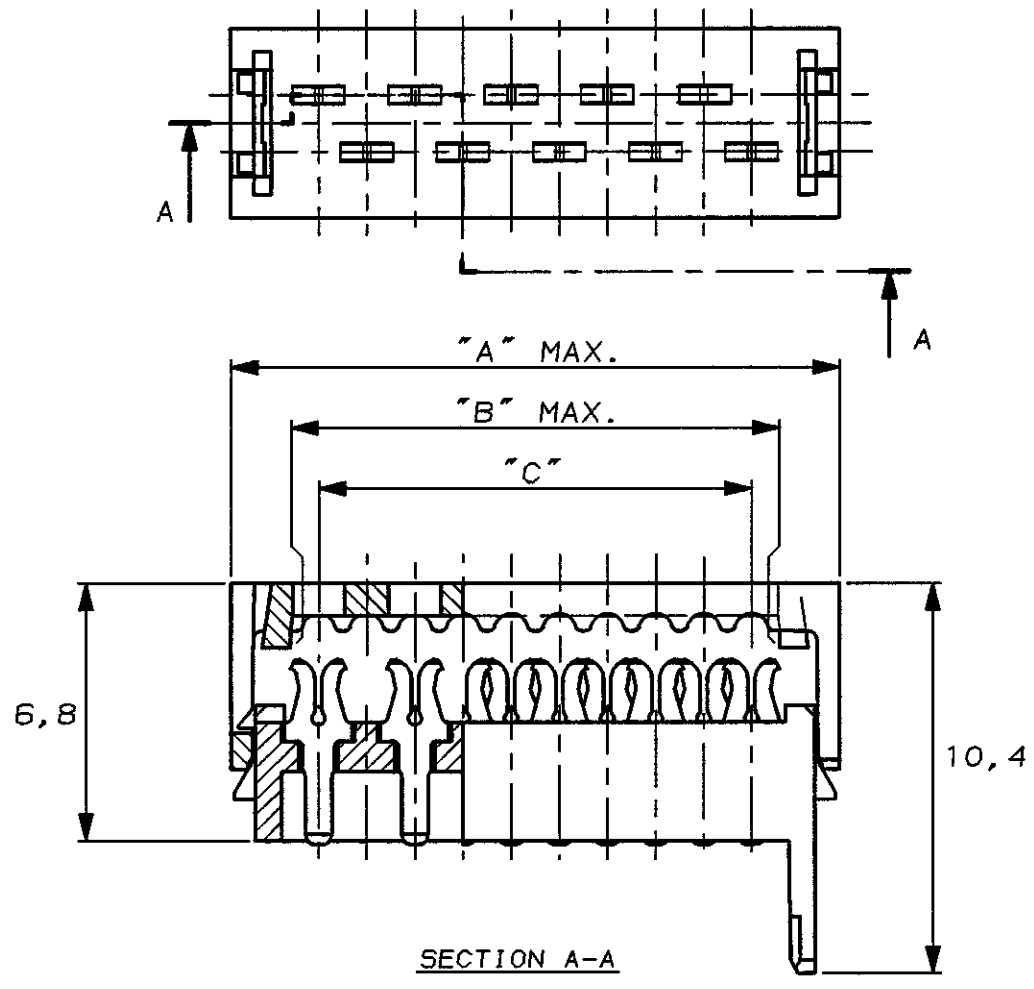
METRIC

THIRD ANGLE
PROJECTION

NUMBER OF POSITIONS	PARTNUMBER MALE ASSIE
4	7-215083-4
6	7-215083-6
8	7-215083-8
10	8-215083-0
12	8-215083-2
14	8-215083-4
16	8-215083-6
18	8-215083-8
20	9-215083-0



250 CONNECTORS PER BOX FOR ALL PARTNUMBERS.
FOR 2500 CONNECTORS PER REEL SEE SHEET 1.



DESCRIPTION	MATERIAL	ITEM
MALE HOUSING	GLASS FILLED POLYESTER (RED)	3
MALE CONTACT	PHBR. PLATING TIN-LEAD 93-7	2
COVER	GLASS FILLED POLYESTER (RED)	1

NOTE

1. 10 POSITIONS AS SHOWN

SUPERSEDED BY C-215083 SHEET 1

CUSTOMER DRAWING		AMP		AMP-HOLLAND B.V. 's-Hertogenbosch, The Netherlands.	
FOR REFERENCE ONLY WILL NOT BE UPDATED		THIS DRAWING IS UNPUBLISHED RELEASED FOR PUBLICATION			
DR. D. KESSLER		WIRE RANGE		NAME	
DATE 28-02-90		-		Micro-Match MALE ASSY	
CHK. J. SMIT		INSUL. RANGE		PITCH 1,27MM	
APP. L.v. SOEST		SIZE A3	SHEET 2 OF 2	DWG. No. C-215083	REV. DATE D M Y 28 02 90
					REV. LTR. P

8 7 6 5 4 3 2 1