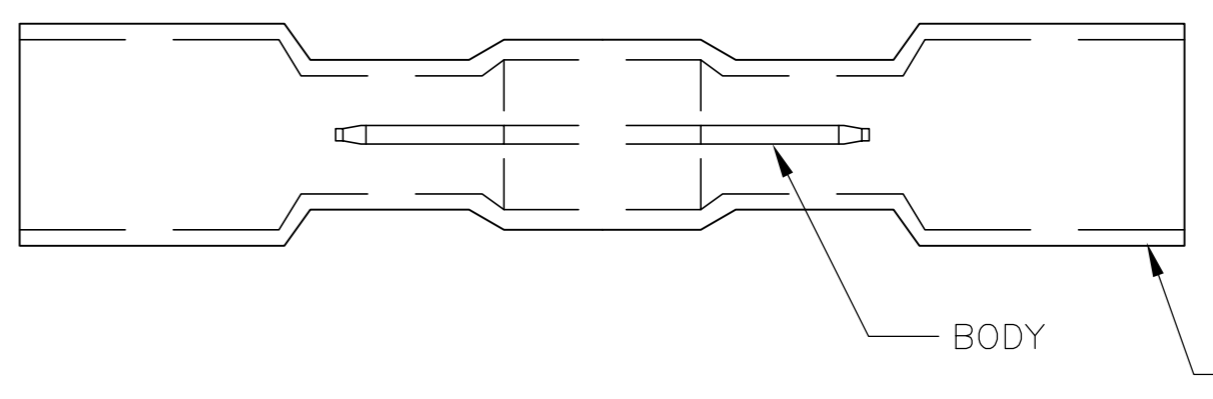
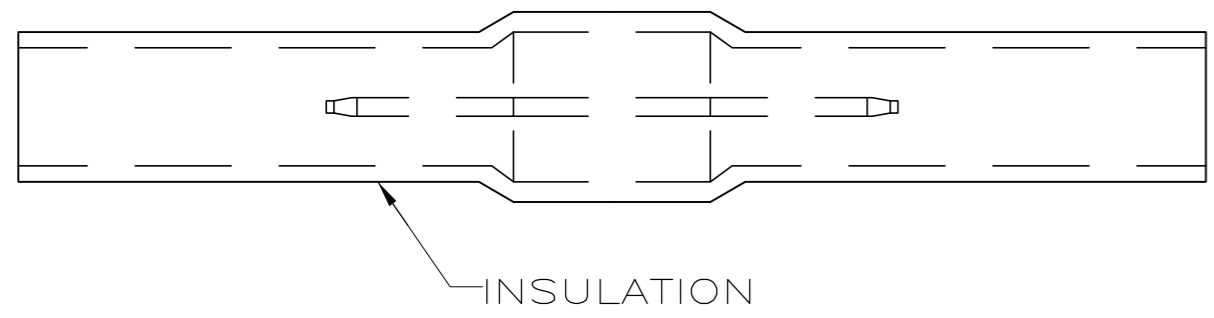
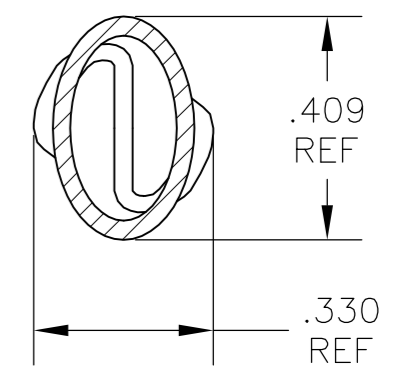
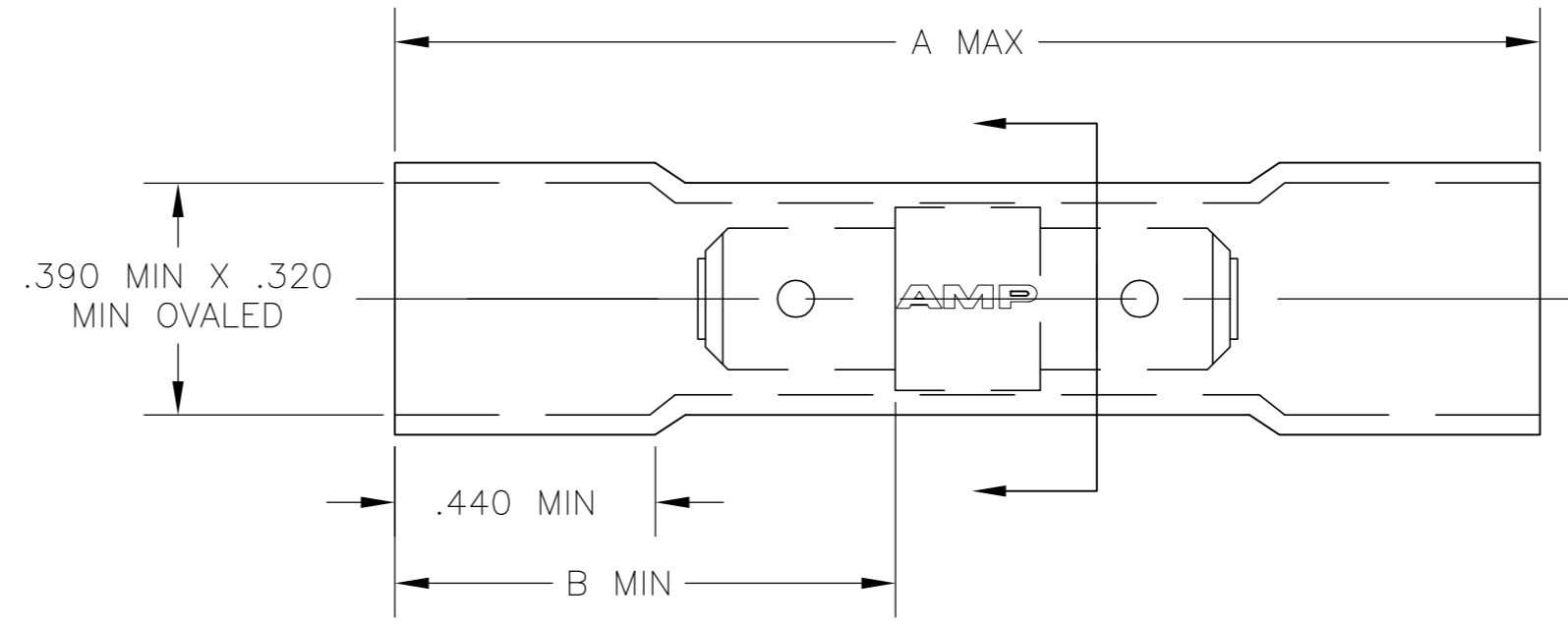
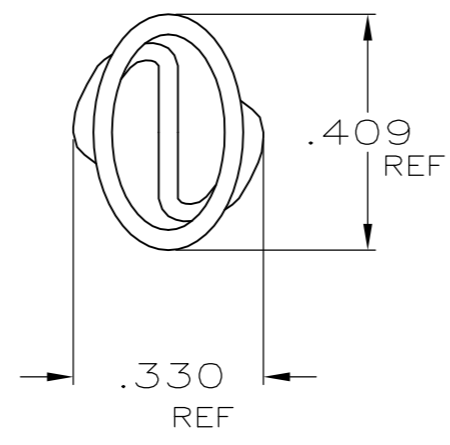
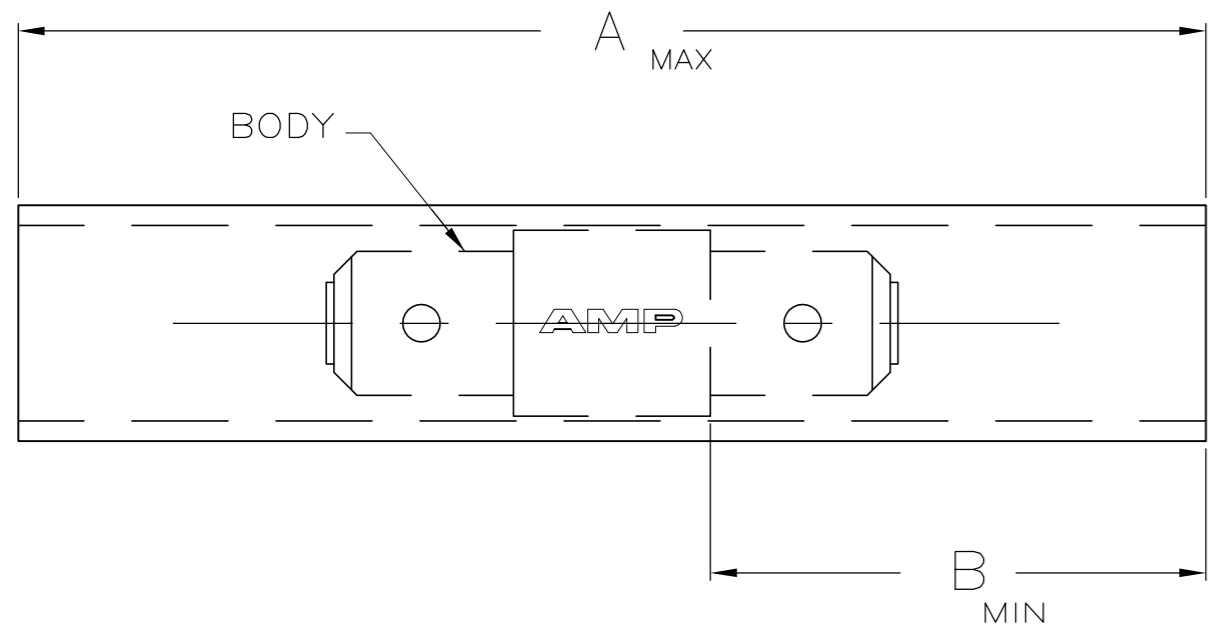


THIS DRAWING IS UNPUBLISHED. RELEASED FOR PUBLICATION  
 © COPYRIGHT - By - ALL RIGHTS RESERVED.

| LOC |  | DIST |  | REVISIONS |     |                           |         |     |      |
|-----|--|------|--|-----------|-----|---------------------------|---------|-----|------|
| G   |  | 14   |  | P         | LTR | DESCRIPTION               | DATE    | DWN | APVD |
|     |  |      |  | U4        |     | REVISED PER ECO-11-004917 | 11MAR11 | RK  | HMR  |



STYLE I

STYLE III

| 8-321235-5              | 2.625   | .860    | NATURAL | CLEANED      |       | LOOSE PC, BOX SPL | 100  | 600                | 300 |
|-------------------------|---------|---------|---------|--------------|-------|-------------------|------|--------------------|-----|
| 8-321235-1              | 2.625   | .860    | NATURAL | CLEANED      | I     | LOOSE PC, BOX     | 100  | 600                | 300 |
| 3-321235-0 <sup>2</sup> | 2.625   | 1.151   | BLACK   | <sup>1</sup> | I     | LOOSE PC          | 1000 |                    |     |
| 1-321235-4              | 2.438   | .870    | NATURAL | CLEANED      | III   | LOOSE PC          | 1000 | 600                | 300 |
| 1-321235-1              | 2.625   | 1.151   | NATURAL | <sup>1</sup> |       | LOOSE PC          | 1000 | 600                | 300 |
| 1-321235-0              | 2.625   | 1.151   | NATURAL | CLEANED      | I     | LOOSE PC          | 1000 | 600                | 300 |
| 321235                  | 2.093   | .860    | NATURAL | CLEANED      |       | LOOSE PC          | 1000 | 300                | 300 |
| PART NO.                | DIM 'A' | DIM 'B' | COLOR   | FINISH       | STYLE | PACKAGE TYPE      | QTY  | MAX VOLTAGE RATING |     |



- <sup>1</sup> TIN PLATE PER ASTM B545
- <sup>2</sup> PRELIMINARY - NOT FOR PRODUCTION

| WIRE SPLICE | SEE TABLE | INSULATION: PVC<br>COLOR: SEE TABLE<br>BODY: BRASS (ASTM B-19) .032 THK<br>FINISH: SEE TABLE |
|-------------|-----------|--|
| DESCRIPTION | PART NO.  | MATERIAL & FINISH  |

|  |  |                  |  |         |
|--|--|------------------|--|---------|
| THIS DRAWING IS A CONTROLLED DOCUMENT. |  | DWN              | JR RUTH  | 06OCT00 |
| DIMENSIONS: INCHES                     |  | CHK              | T MICHIELUTTI  | 06OCT00 |
| TOLERANCES UNLESS OTHERWISE SPECIFIED: |  | APVD             | T MICHIELUTTI  | 06OCT00 |
| 0 PLC ± -                              |  | PRODUCT SPEC     | NAME   |         |
| 1 PLC ± -                              |  | APPLICATION SPEC | SPLICE, RECEPTACLE, FASTON, .250 SERIES WIRE SIZE: 22-10 |         |
| 2 PLC ± -                              |  | WEIGHT           | SIZE CAGE CODE DRAWING NO RESTRICTED TO                  |         |
| 3 PLC ± .008                           |  | SCALE            | A2 00779 C-321235  |         |
| 4 PLC ± -                              |  | CUSTOMER DRAWING | SHEET 1 of 1 REV U4                                      |         |
| ANGLES ± -                             |  |                  |  |         |
| FINISH                                 |  |                  |  |         |
| SEE TABLE                              |  |                  |  |         |

321235

A