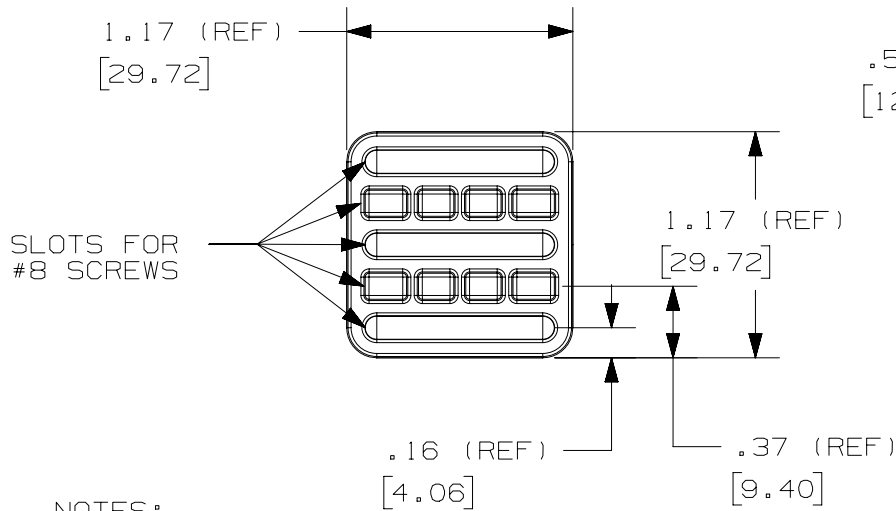
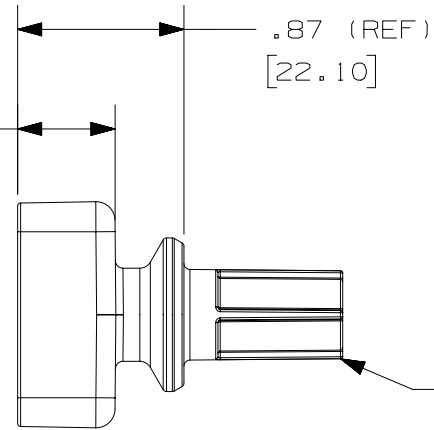


THIS COPY IS PROVIDED ON A RESTRICTED BASIS AND IS NOT TO BE USED IN ANY WAY DETRIMENTAL TO THE INTERESTS OF PANDUIT CORP.

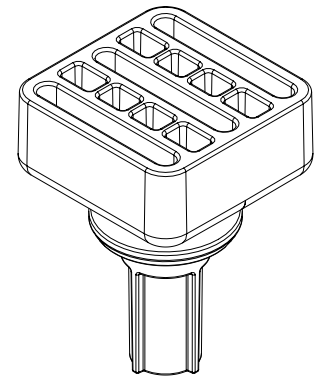


.51 (REF) [12.95]



NOTES:

1. DIMENSIONS IN BRACKETS [] ARE METRIC [mm].
3. PRODUCT DESIGNED TO BE INSERTED INTO PANDUIT PART: QB-MOUNT.
4. PRODUCT IS DESIGNED TO SUPPORT A MAXIMUM STATIC LOAD OF 5 LBS.
5. PRODUCT IS RATED FOR ENVIRONMENTAL CONDITIONS OF 40-100°F IN ALL HUMIDITY RANGES.
6. REFER TO PANDUIT CATALOG FOR LIST OF COMPATIBLE ACCESSORIES.
7. COMPATIBLE WITH FOLLOWING SCREWS: QB-S8-500-C, QB-S8-750-C.



TITLE
QUICK-BUILD MOUNTING BASE; 1.20" X 1.20"; ACCEPTS #8 SCREWS; 25 PER PACKAGE QB-BASE120

CUSTOMER DRAWING

ITEM REVISION NAME
14L203DM/02

DATASET FILE NAME
14L203DM-DC

PANDUIT

UNLESS OTHERWISE SPECIFIED, DIMENSIONAL TOLERANCES ARE: IN [mm]

.x ± .1 [2.54] .xxx ± .005 [.127]

.xx ± .01 [.25] ANGLES ± 5 °

MATERIAL:
NYLON

DRAWING NUMBER:
14L203DM-DC

00	06-09-15	ANF	DJW	MSAD	DRAWING RELEASED	GAECN03011
----	----------	-----	-----	------	------------------	------------

REV	DATE	BY	CHK	APR	DESCRIPTION	ECN
-----	------	----	-----	-----	-------------	-----

DRAWN BY ANF	DATE 6/9/15	CHK DJW	SCALE 1:1	SHT 1 OF 1	SIZE A
-----------------	----------------	------------	--------------	------------	-----------

Mouser Electronics

Authorized Distributor

Click to View Pricing, Inventory, Delivery & Lifecycle Information:

[Panduit:](#)

[QB-BASE120-Q](#)