

Microphone coupon board based on the MP34DT05-A digital MEMS



Features

- 4 x MP34DT05-A top port digital MEMS microphones
- Daughterboard to be used with X-NUCLEO-CCA02M1
- Vsupply from 1.6 to 3.6 V
- 122.5 dB SPL acoustic overload point
- Omnidirectional sensitivity
- PDM single-bit output
- 64 dB of SNR
- Sensitivity -26 dBFS \pm 3 dB
- RoHS compliant

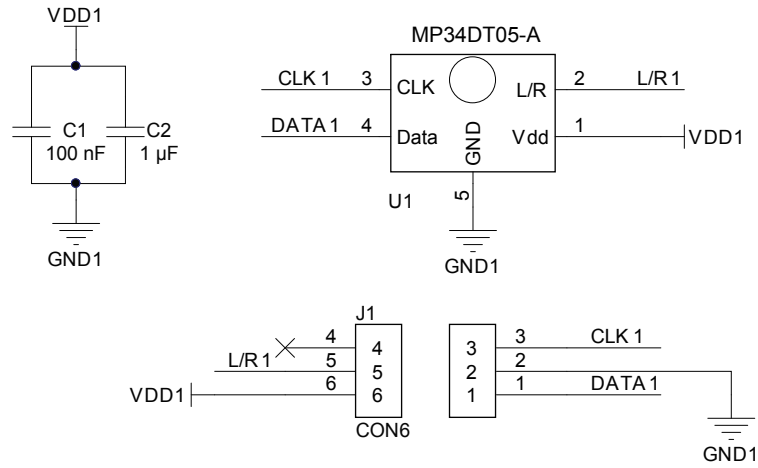
Description

The STEVAL-MIC001V1 daughterboard is designed to be used in conjunction with the [X-NUCLEO-CCA02M1](#) expansion board; it is able to export the four additional PDMs for any user application requirement (NBW algorithm detection).

Summary table

STEVAL-MIC001V1 daughterboard	STEVAL-MIC001V1
X-NUCLEO-CCA02M1 evaluation board based on digital MEMS microphones	X-NUCLEO-CCA02M1
MP34DT05-A ultra-compact, low-power, omnidirectional, digital MEMS microphone	MP34DT05-A

1 Schematic diagrams

Figure 1. STEVAL-MIC001V1 circuit schematic


Revision history

Table 1. Document revision history

Date	Version	Changes
07-Dec-2017	1	Initial release.
25-Jan-2018	2	Updated: title.

IMPORTANT NOTICE – PLEASE READ CAREFULLY

STMicroelectronics NV and its subsidiaries (“ST”) reserve the right to make changes, corrections, enhancements, modifications, and improvements to ST products and/or to this document at any time without notice. Purchasers should obtain the latest relevant information on ST products before placing orders. ST products are sold pursuant to ST’s terms and conditions of sale in place at the time of order acknowledgement.

Purchasers are solely responsible for the choice, selection, and use of ST products and ST assumes no liability for application assistance or the design of Purchasers’ products.

No license, express or implied, to any intellectual property right is granted by ST herein.

Resale of ST products with provisions different from the information set forth herein shall void any warranty granted by ST for such product.

ST and the ST logo are trademarks of ST. All other product or service names are the property of their respective owners.

Information in this document supersedes and replaces information previously supplied in any prior versions of this document.

© 2018 STMicroelectronics – All rights reserved

Mouser Electronics

Authorized Distributor

Click to View Pricing, Inventory, Delivery & Lifecycle Information:

[STMicroelectronics:](#)

[STEVAL-MIC001V1](#)