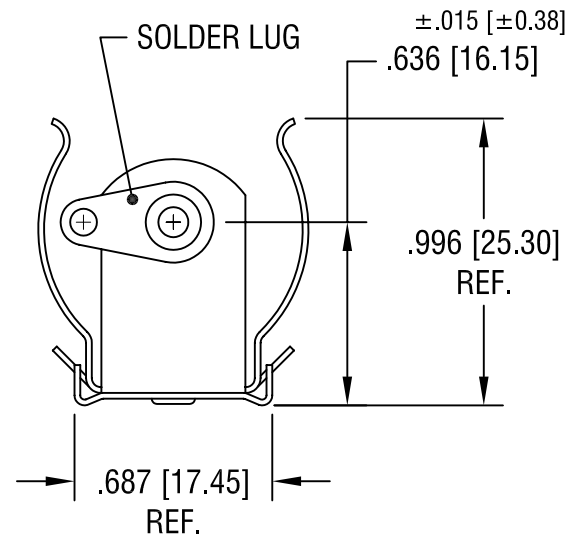
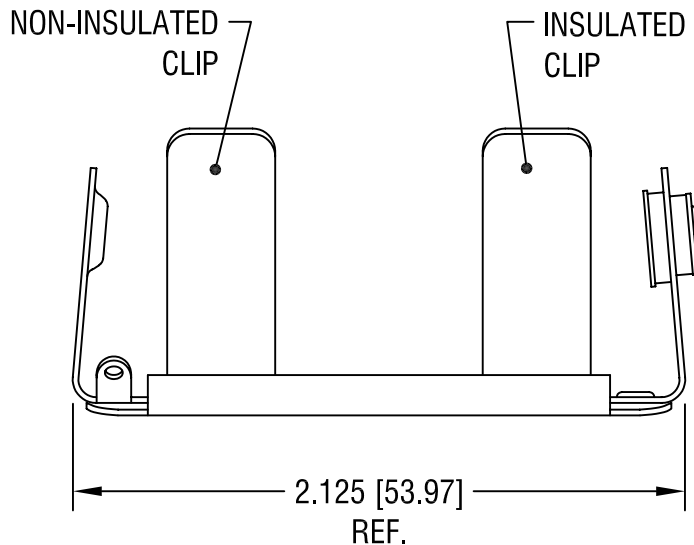
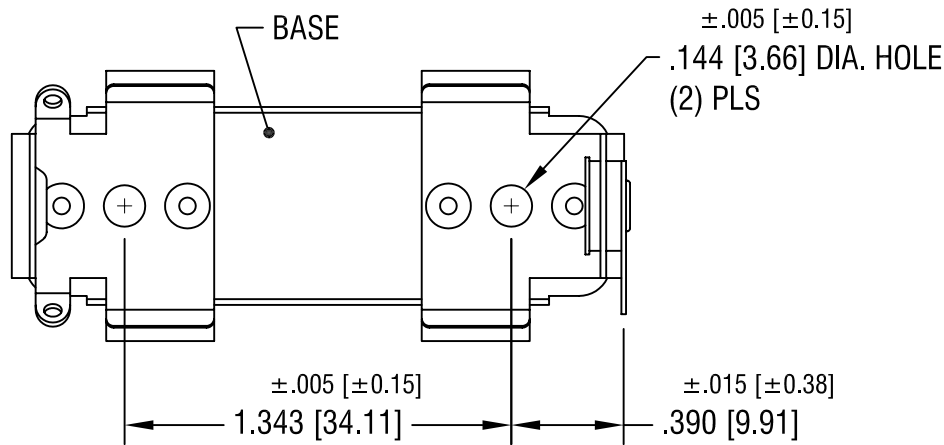


THIS DOCUMENT IS THE PROPERTY OF
KEYSTONE ELECTRONICS CORP. AND
SHALL NOT BE REPRODUCED, DISTRIBUTED
OR USED AS A BASIS FOR MANUFACTURE
WITHOUT PRIOR WRITTEN PERMISSION
FROM KEYSTONE ELECTRONICS CORP.



NOTES:

1. BASE: MAT'L - STAINLESS STEEL

CLIP: MAT'L - SPRING STEEL
FINISH - NICKEL PLATE

LUG: MAT'L - BRASS
FINISH - TIN PLATE

KEYSTONE ELECTRONICS CORP.

ASTORIA, N.Y. 11105-2017

PART NAME

NON-INSULATED BATTERY HOLDER, (1) 'C'

MATERIAL

AS NOTED

FINISH

AS NOTED

DRN BY

BOONE

DATE

5.4.07

APP'D

LN

SCALE

1.5X

TOLERANCES

INCH [MM]

DECIMAL $\pm .010$ [± 0.25]

ANGULAR $\pm 1^\circ$

UNLESS OTHERWISE SPECIFIED

CODE

C

DWG NO.

1173

DATE

DESCRIPTION

REV.

Mouser Electronics

Authorized Distributor

Click to View Pricing, Inventory, Delivery & Lifecycle Information:

[Keystone Electronics:](#)

[1173](#)