

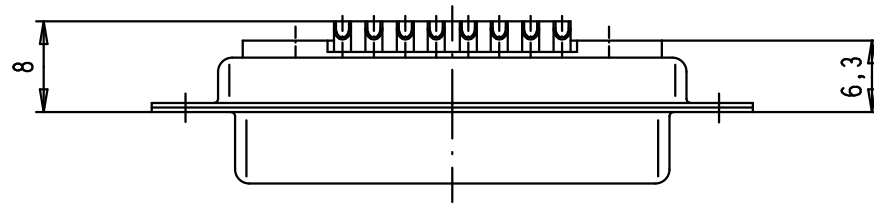
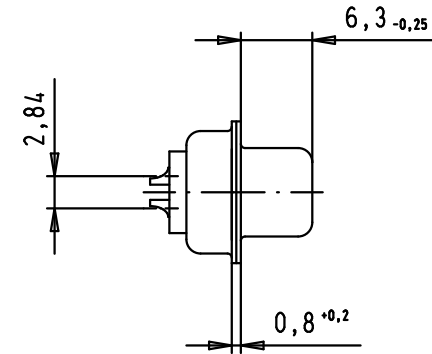
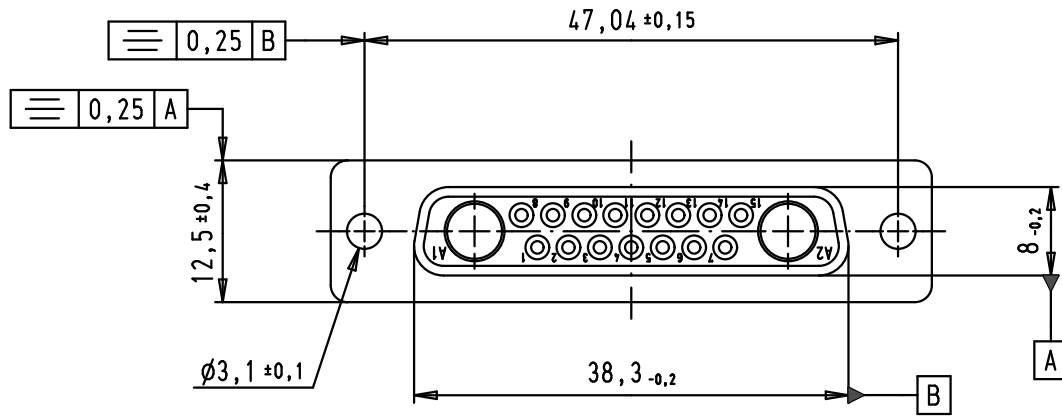
5

4

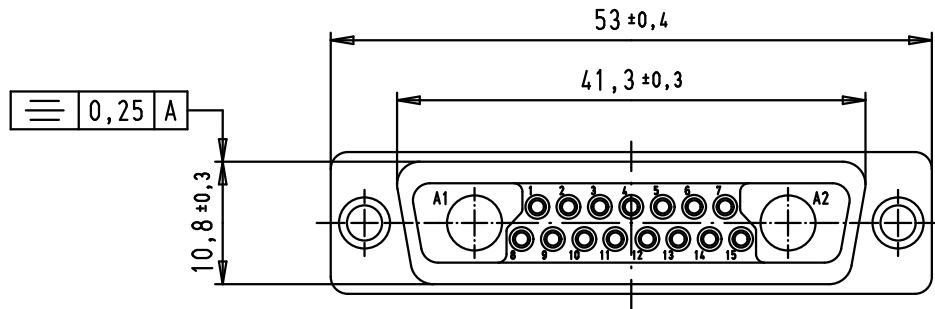
3



2

1



Solder bucket termination for AWG 20



| | | | | | | | | | |
|----------------|-------------------|---------|----------|---------|-------------------------------|------|---|---|-------------------|
| | | | | | Det. | Name |  All Dim. in mm Orig. Size DIN A 4 | D-Sub, 17W2, female, straight, solder buckets, tin plated shell | Maßstab/ Scale |
| | | | | Detail. | 21/04/10 | PK | | | 1,5:1 |
| | | | | Insp. | | | | | |
| | | | | Stand. | | | | | |
| 09 69 301 7172 | PL3 | EC01706 | 21/04/10 | SC | HARTING EURL F-95972 Paris | |  | TB 09 69 301 x172 | Blatt/ Page |
| 09 69 301 5172 | S4 | 34390 | 26/07/07 | PK | | | | | 1 / |
| Part number | Performance level | Mod. | Det. | Name | | | | | Sub. |

Mouser Electronics

Authorized Distributor

Click to View Pricing, Inventory, Delivery & Lifecycle Information:

[HARTING:](#)

[09693015172](#) [09693017172](#)