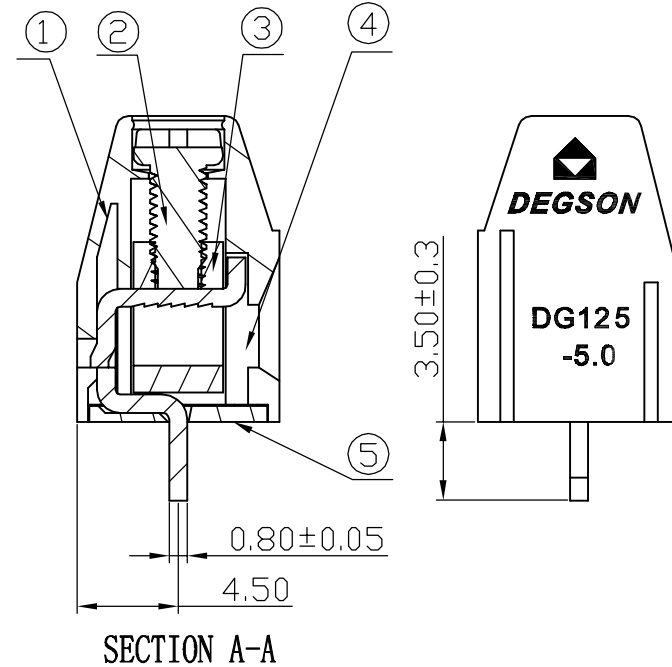
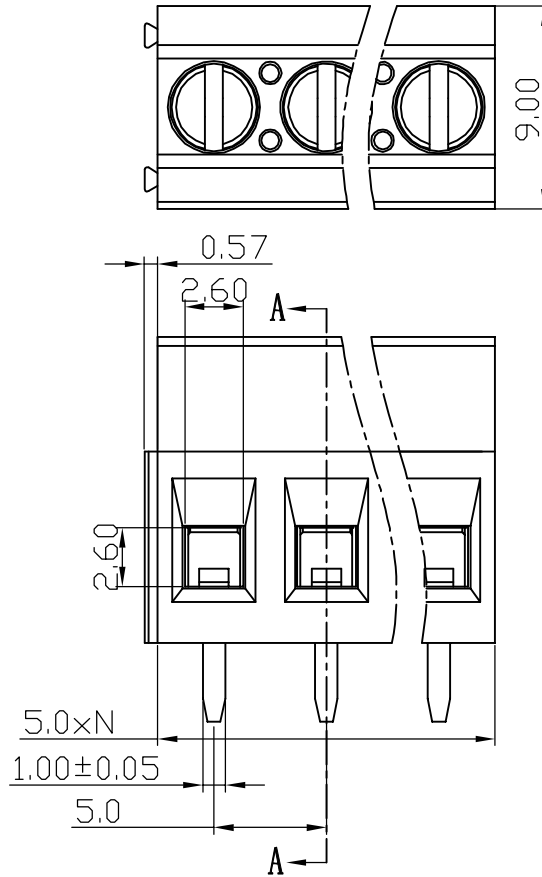
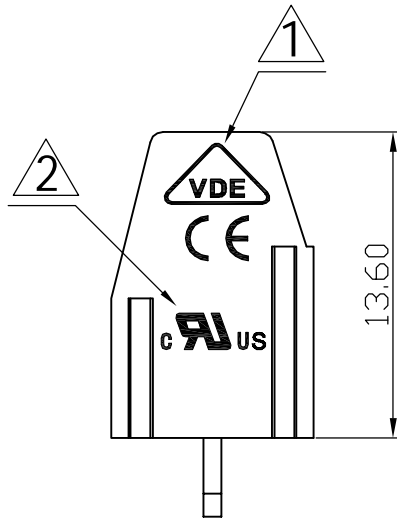


REVISION RECORD				
REV	ECD	DESCRIPTION	DRFT	DATE
△		增加VDE, CE刻字	Zengy	04/06/09"
△	99-0136	增加UL刻字及参数	GHY	12/05/09"
△		图面整理	hyq	01/21/10"



Notes:

1. Pitch: 5.0mm , Poles: 2-XXP
- △ 2. Rated voltage/current: UL 300V/12A  
VDE 250V/18A
3. Operation temperatures: -40°C~+105°C
4. Withstanding Voltage: AC2000V/1min
- △ 5. Insulation Resistance: 5000MΩ / DC1000V
6. Wire Range: 26~12AWG, 0.5~2.5mm<sup>2</sup>
7. Max. Torque Value: M2.5, 4.08kgf.cm
8. Undimensioned Tolerances:

Pitch range in mm		Nominal dimension range in mm						
to	over	over	to	over	over	over		
6	10	10	30	60	100	150	∩	
to	to	to	to	to	to	to	◇	
6	24	30	60	100	150			
±0.10	±0.15	±0.25	±0.2	±0.3	±0.5	±0.7	±1.0	0.05/10

5	EI100 2.5-5.0 Cover	4093C0YXXA (H)	1	PA66	UL94V-0
4	EI100 2.5 Pin header	4093B00010 (H)	XX	Brass	SnCo plated
3	EI100 2.5"- S screws (M2.5)	S000002650 (H)	XX	Steel	C <sup>3</sup> Zn
2	EI100 2.5 Cage	X000001890 (H)	XX	Brass	Ni plated

ITEM	NAME OF PART	NO. OF PART	Q'TY	MATERIAL	NOTES
1	DG125-5.0 Housing	4145A0YXXA (H)	1	PA66	UL94V-0

TOLERANCES EXCEPT AS NOTED		DATE 10/15/08"	
MM	±	CHKD	DATE
0.2 ±	±	MFD	DATE
0.00 ±	±	APPVL	DATE
0.000 ±	±	MATERIAL :	
ANGLES ± 1°		G.E :	
THIRD ANGLE PROJECTION		FINISH:	
		SCALE : 1:1	

<b>DEGSON</b> 宁波高正电子有限公司 DEGSON ELECTRONICS CO., LTD	
NAME <b>DG125-5.0-XXP-1Y-00A (H)</b>	
DRAWING NO. DG125-5.0-E01	SIZE A3
/PART NO.	REV T2 12/05/09"
DO NOT SCALE DRAWING	SHEET 1 OF 1

8

7

6

5

4

3

2

1