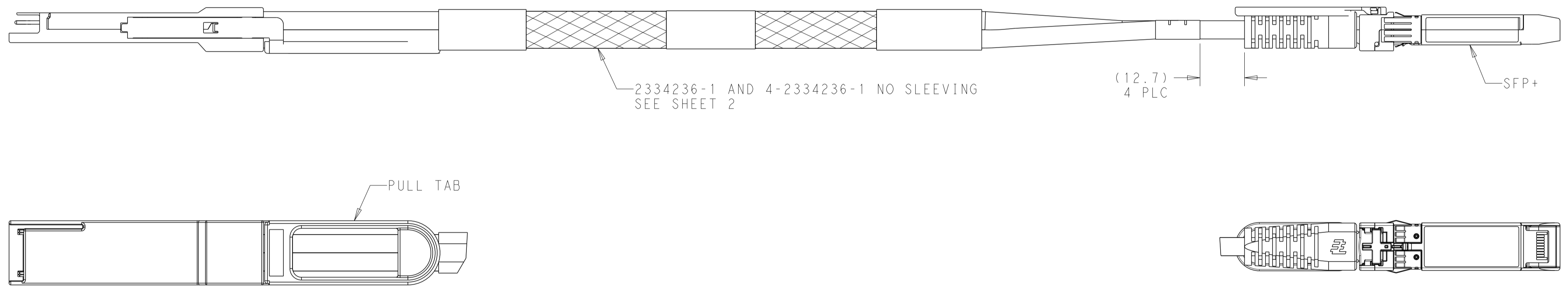
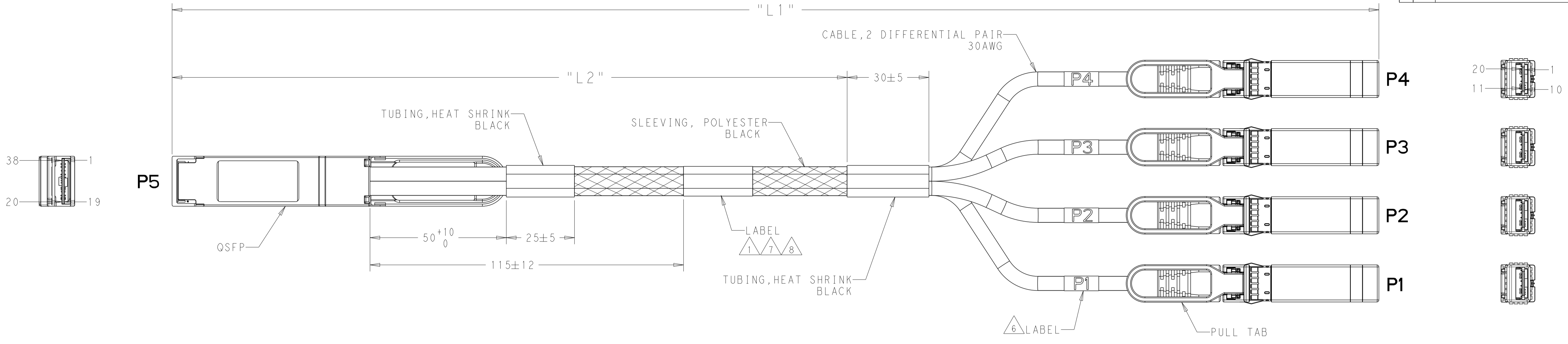
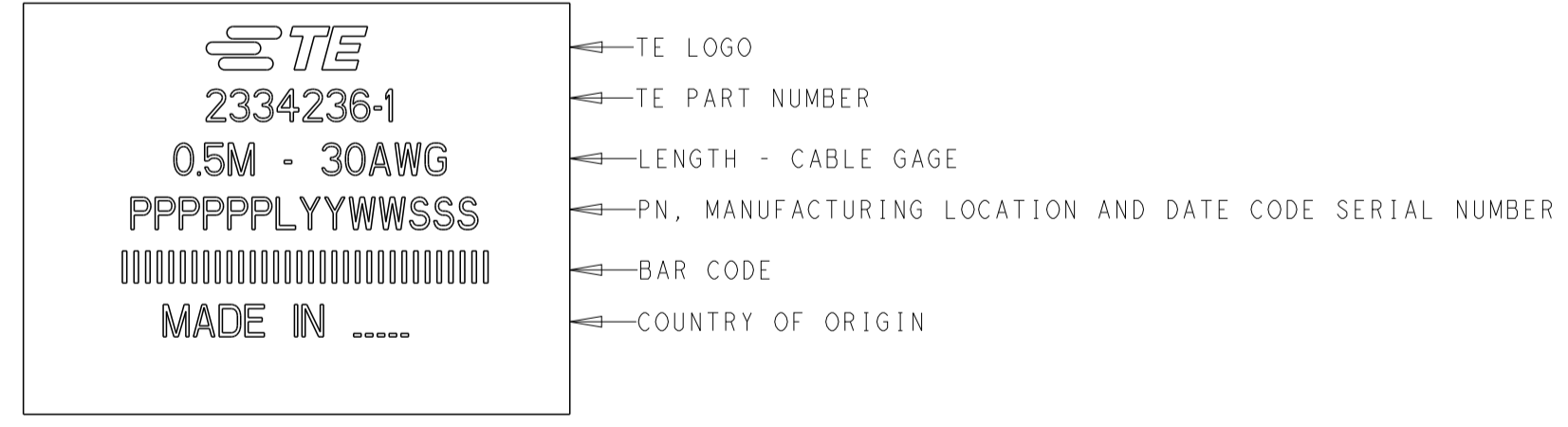


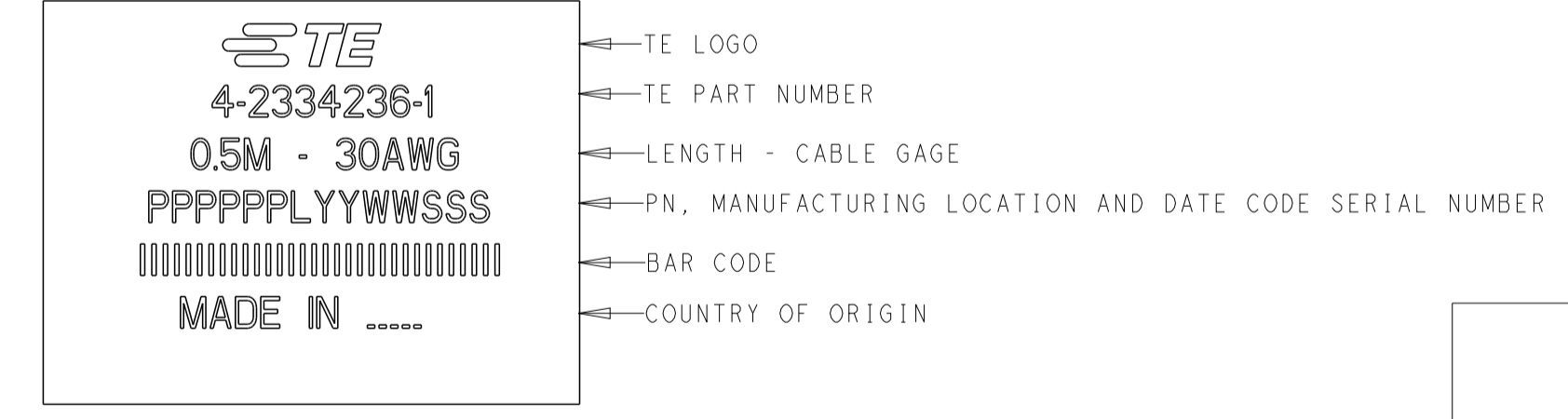
REVISIONS				
P	LTN	DESCRIPTION	DATE	APVD
A		PER ECO-18-020143	31DEC2018	MY GF
B		REVISED PER ECO-19-007907	24MAY2019	AP GF



△ LABEL INFORMATION FOR 25 GIG PNS (-1 THRU -6): -1 SHOWN



△ LABEL INFORMATION FOR 56 GIG PNS (-41 THRU -44): -41 SHOWN



△ DASH NUMBER 41 THRU 44 CONFORM TO 56G, PAM-4 IEEE802.3CD PERFORMANCE REQUIREMENTS.

- 2. SEE SHEET 2 FOR WIRING SCHEMATIC.
- 3. PRODUCT AND PROCESSING MUST MEET THE REQUIREMENTS OF TE SPECIFICATION TEC-138-702.
- 4. CABLE ASSEMBLY TO BE TESTED FOR OPENS, SHORTS AND PROPER EEPROM PROGRAM.

△ TEST IN ACCORDANCE WITH IEEE802.3bj.

△ LABEL INFORMATION: P1 SHOWN

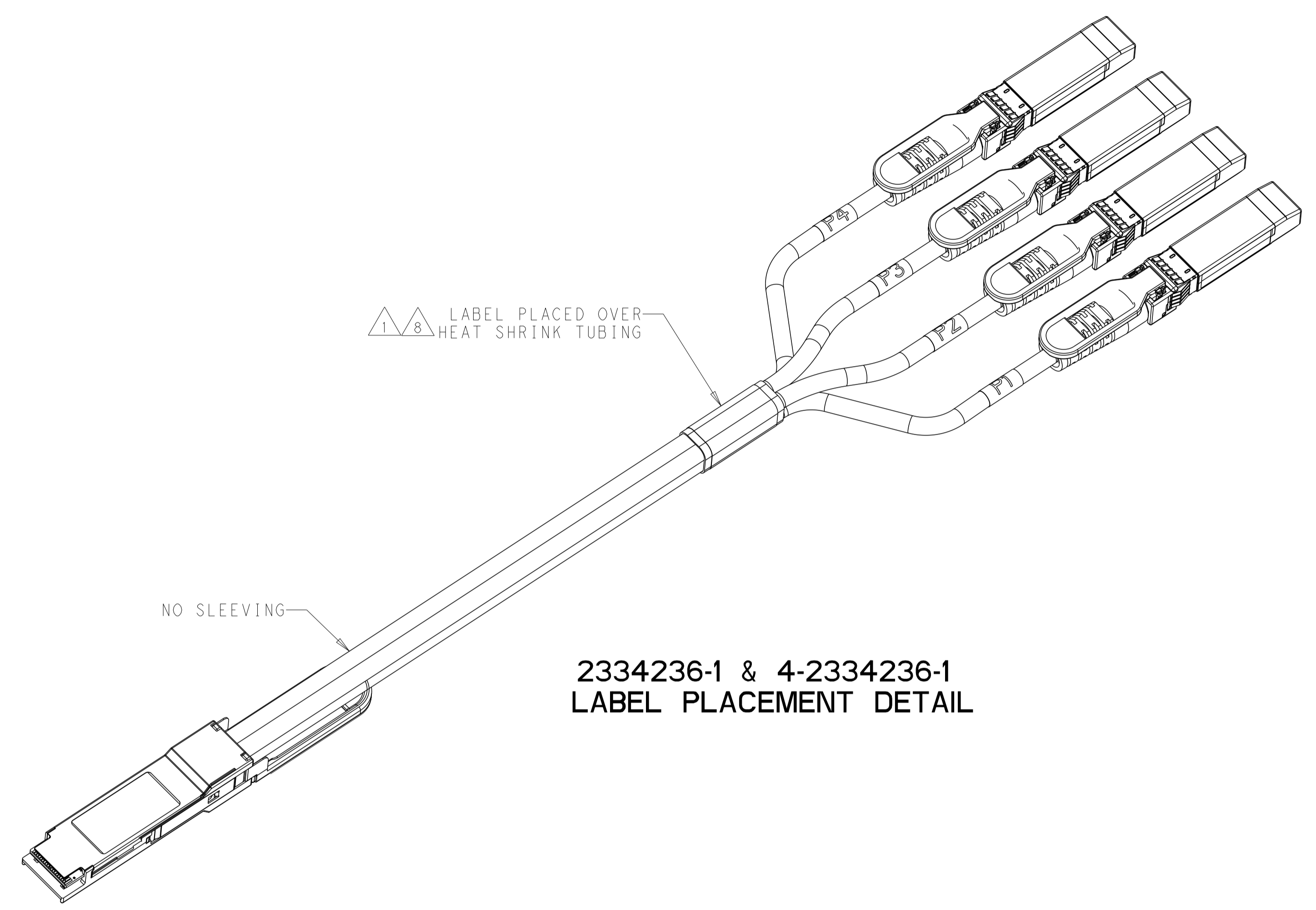
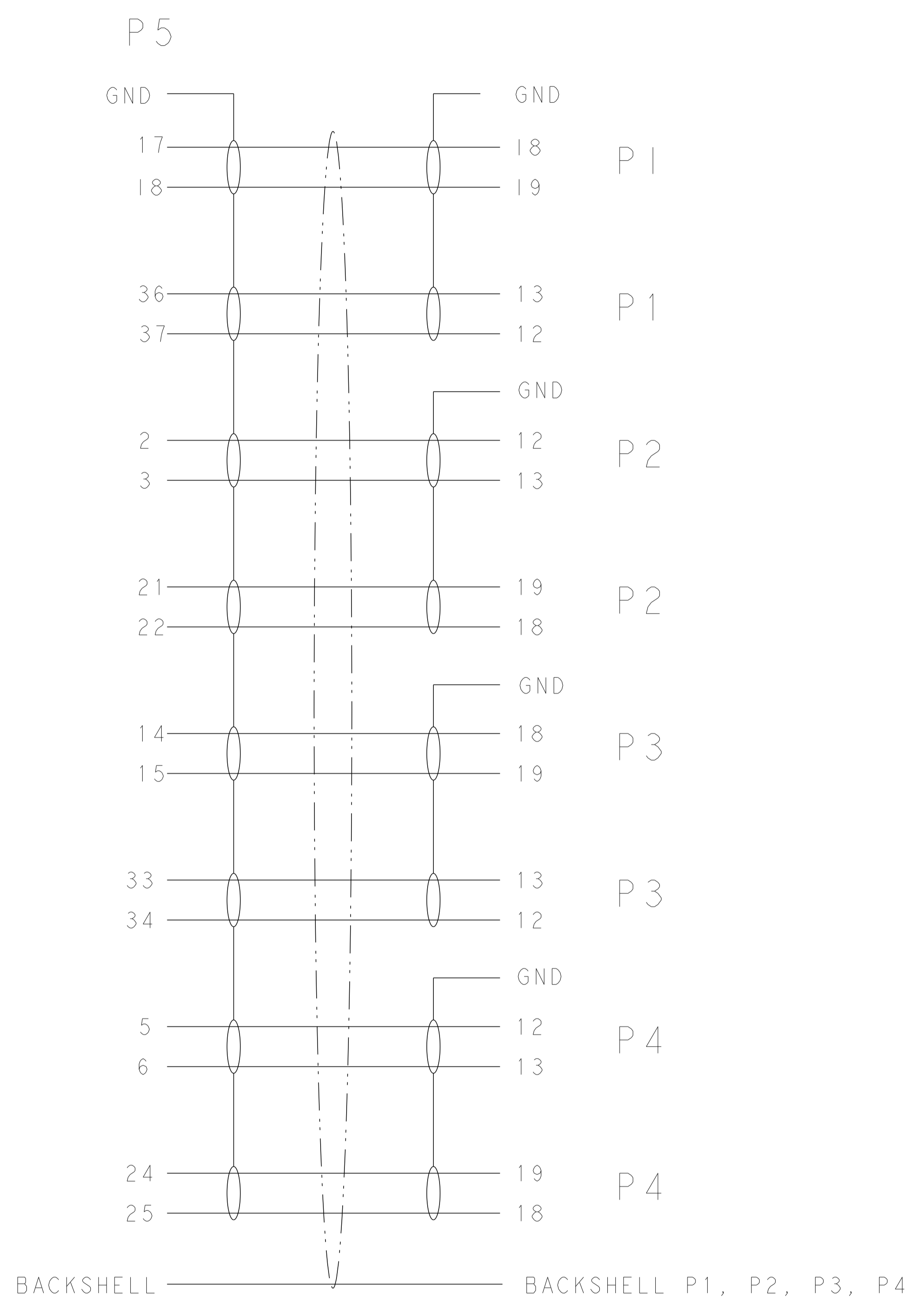


△ SEE SHEET 2 FOR 2334236-1 AND 4-2334236-1 LABEL PLACEMENT.

STANDARD	GAGE	"L2"		"L1"		PART NO
		MIN	MAX	MIN	MAX	
9	30	700 ±25	2000 +80/-0	4-2334236-4		
	30	500 ±25	1500 +50/-0	4-2334236-3		
	30	330 ±25	1000 +50/-0	4-2334236-2		
	30	120 ±12	500 +50/-0	4-2334236-1		
5	30	1000 ±25	3000 +80/-0	2334236-6		
	30	1000 ±25	2500 +80/-0	2334236-5		
	30	700 ±25	2000 +80/-0	2334236-4		
	30	500 ±25	1500 +50/-0	2334236-3		
	30	330 ±25	1000 +50/-0	2334236-2		
	30	120 ±12	500 +50/-0	2334236-1		

THIS DRAWING IS A CONTROLLED DOCUMENT.		OWN: M_YI 11APR2018	TE Connectivity NAME: CABLE ASSEMBLY, QSFP28 TO (4) SFP+
DIMENSIONS: mm		CHK: G. FRANKLIN 11APR2018	
TOLERANCES UNLESS OTHERWISE SPECIFIED:		APVD: G. FRANKLIN 11APR2018	RESTRICTED TO:
0 PLC ±	1 PLC ±	APPLIC. SPEC	SIZE: CAGE CODE: DRAWING NO: A100779
2 PLC ±	3 PLC ±	WEIGHT	SCALE: 5:4 SHEET 1 OF 2
4 PLC ±	ANGLES ±	FINISH	REV B
MATERIAL		RESTRICTED CUSTOMER	

REVISIONS				
P	LTN	DESCRIPTION	DATE	APVD
		SEE SHEET 1		



THIS DRAWING IS A CONTROLLED DOCUMENT.		OWN: M. YI 11APR2018	
DIMENSIONS: mm		CHK: G. FRANKLIN 11APR2018	
TOLERANCES UNLESS OTHERWISE SPECIFIED:		APVD: G. FRANKLIN 11APR2018	NAME: CABLE ASSEMBLY, QSFP28 TO (4) SFP+
0 PLC ±	1 PLC ±	PRODUCT SPEC	SIZE: -
2 PLC ±	3 PLC ±	APPLICATION SPEC	CAGE CODE: -
4 PLC ±	ANGLES ±	FINISH ±	DRAWING NO: A100779
MATERIAL: -	FINISH: -	WEIGHT: -	RESTRICTED TO: -
RESTRICTED CUSTOMER		SCALE: 3:2	SHEET 2 OF 2
		REV: B	