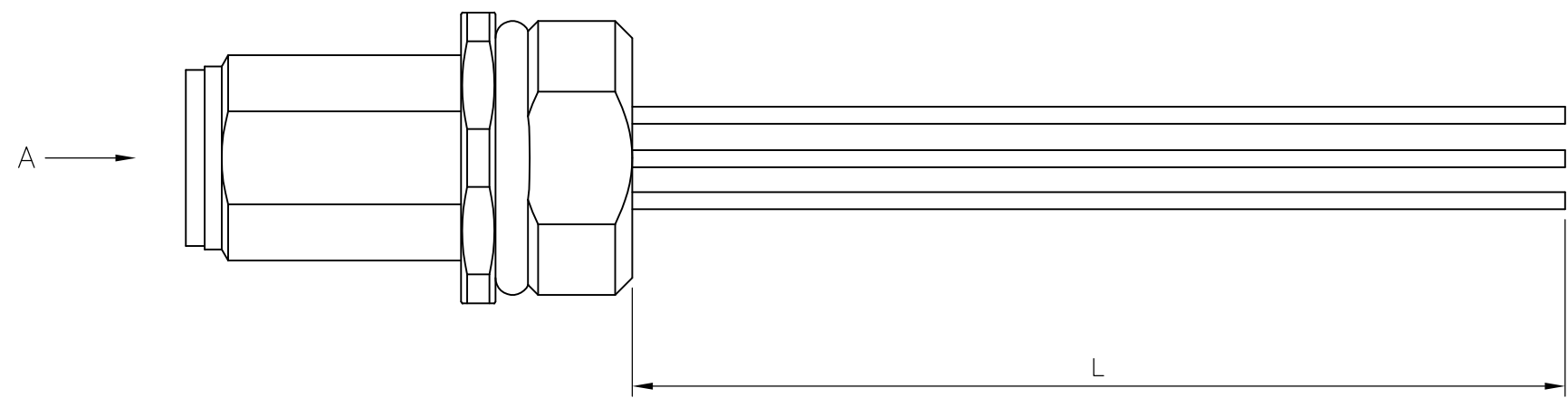


THIS DRAWING IS UNPUBLISHED. RELEASED FOR PUBLICATION
 © COPYRIGHT - By - ALL RIGHTS RESERVED.

LOC	DIST	REVISIONS					
		P	LTR	DESCRIPTION	DATE	DWN	APVD
H	-		A	INITIAL RELEASE	15NOV2013	YC	BvH
			A1	ECR-14-002932	04MAR2014	YC	BvH
			A2	ECR-15-003371	04MAR2015	GSK	BvH

NOTES:
 Tolerances cable lengths:
 0m to 0.5m +30mm
 0.5m to 1.0m +50mm
 1.0m to 3.0m +100mm
 < 3.0m +1.5%



TECHNICAL DATA	
Operating voltage	max. 125 V AC/DC
Operating current per contact	max. 4 A
Locking of ports	Screw thread M12 x 1 mm (recommended torque 0.6 Nm) self-securing
Protection	IP65 and IP67 when plugged and screwed down (EN 60529)

PUR CABLE	
No./diameter of wires	5 x 0.34 mm ²
Wire isolation	PP (br, wh, bl, bk, gr) (UL/CSA)
C-track properties	
Outer diameter	approx. 3.4 mm
Bend radius (moving)	10 x outer diameter
Temperature range (fixed)	-40...+80 °C

5 pos	0.2mtr	2273052-1	5X22AWG PANELMOUNT 0.2m WIRES	1
	LENGTH"L"	TE PN	DESCRIPTION	ITEM

THIS DRAWING IS A CONTROLLED DOCUMENT.		DWN YATHISH.C 15NOV2013	STE TE Connectivity													
		CHK B.VELDHOVEN 15NOV2013														
		APVD A.VAN ZANDVOORT 15NOV2013	NAME M12 MALE PNL MLD REAR Mt PG9/M16 PIGT A													
DIMENSIONS: mm		PRODUCT SPEC 108-19483														
TOLERANCES UNLESS OTHERWISE SPECIFIED:		APPLICATION SPEC 114-32127														
<table border="0"> <tr><td>0 PLC</td><td>± -</td></tr> <tr><td>1 PLC</td><td>± -</td></tr> <tr><td>2 PLC</td><td>± -</td></tr> <tr><td>3 PLC</td><td>± -</td></tr> <tr><td>4 PLC</td><td>± -</td></tr> <tr><td>ANGLES</td><td>± -</td></tr> </table>		0 PLC	± -	1 PLC	± -	2 PLC	± -	3 PLC	± -	4 PLC	± -	ANGLES	± -	WEIGHT -	SIZE A3	CAGE CODE 00779
0 PLC	± -															
1 PLC	± -															
2 PLC	± -															
3 PLC	± -															
4 PLC	± -															
ANGLES	± -															
MATERIAL -		FINISH -	DRAWING NO C-2273052													
		CUSTOMER DRAWING		RESTRICTED TO -												
		SCALE NTS	SHEET 1 OF 1	REV A2												

Mouser Electronics

Authorized Distributor

Click to View Pricing, Inventory, Delivery & Lifecycle Information:

[TE Connectivity:](#)

[2273052-1](#)