

YASMEEN-70-ZOOM

Infinitely adjustable beam from 15 to 45 degrees.
Assembly with holder C (LEDiL HEKLA) and B (BJB and B+W). Black and white versions.

SPECIFICATION:

Dimensions	Ø 70.0 mm
Height	39 mm
Fastening	socket
ROHS compliant	yes ⓘ

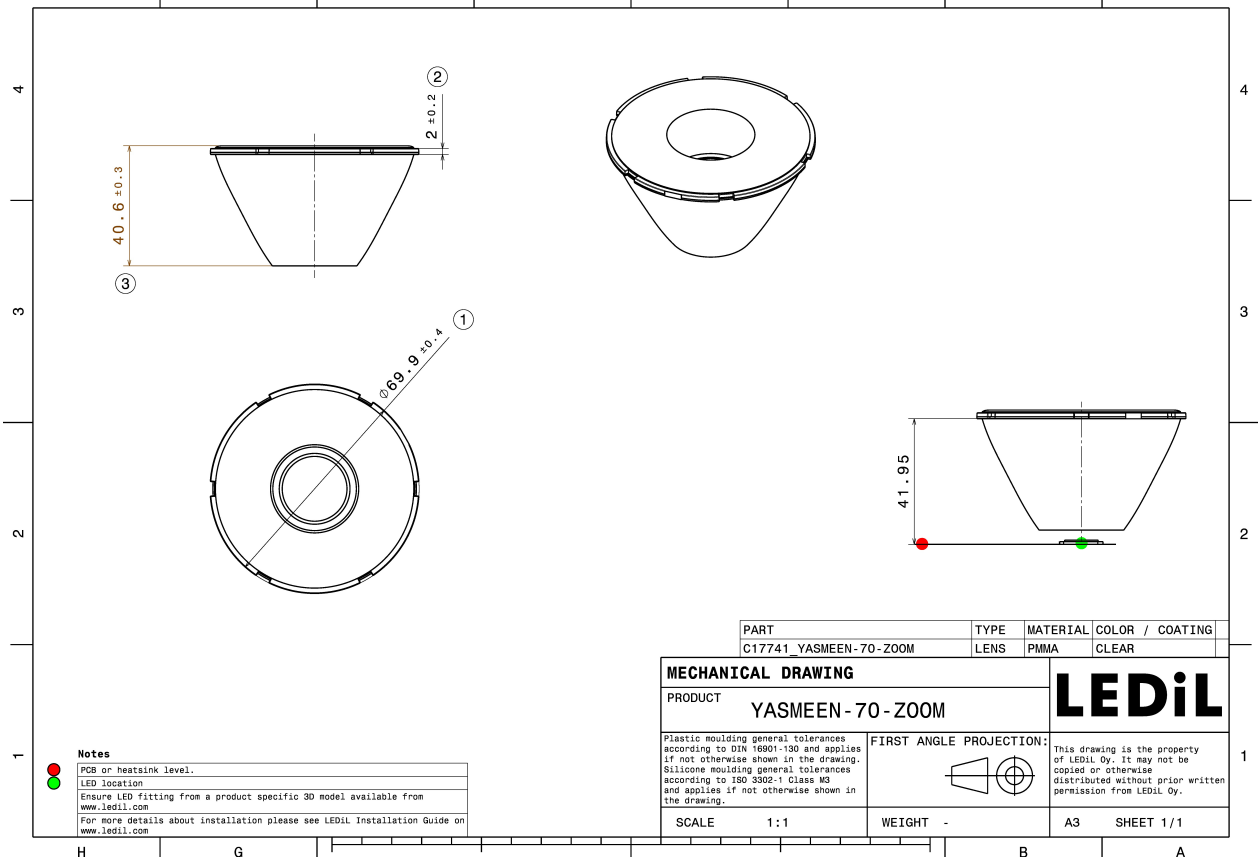
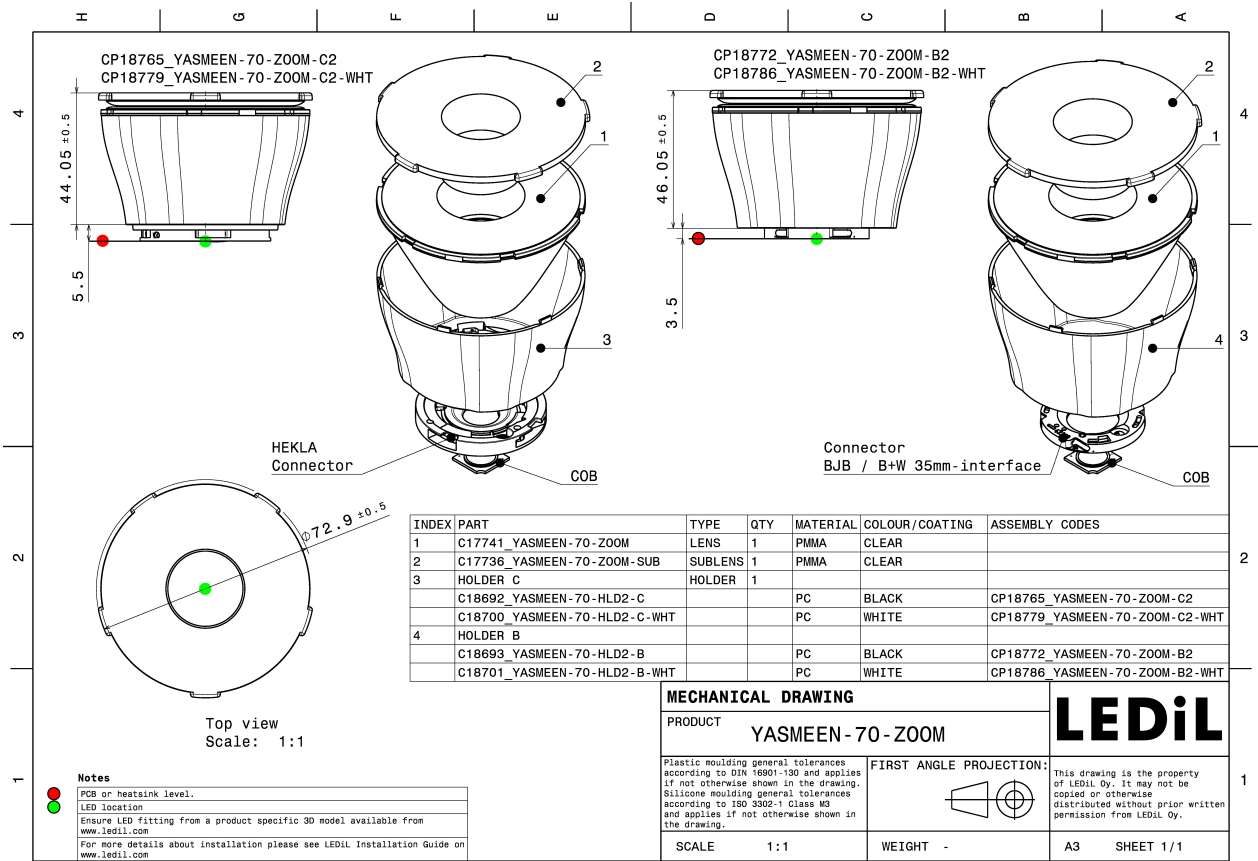


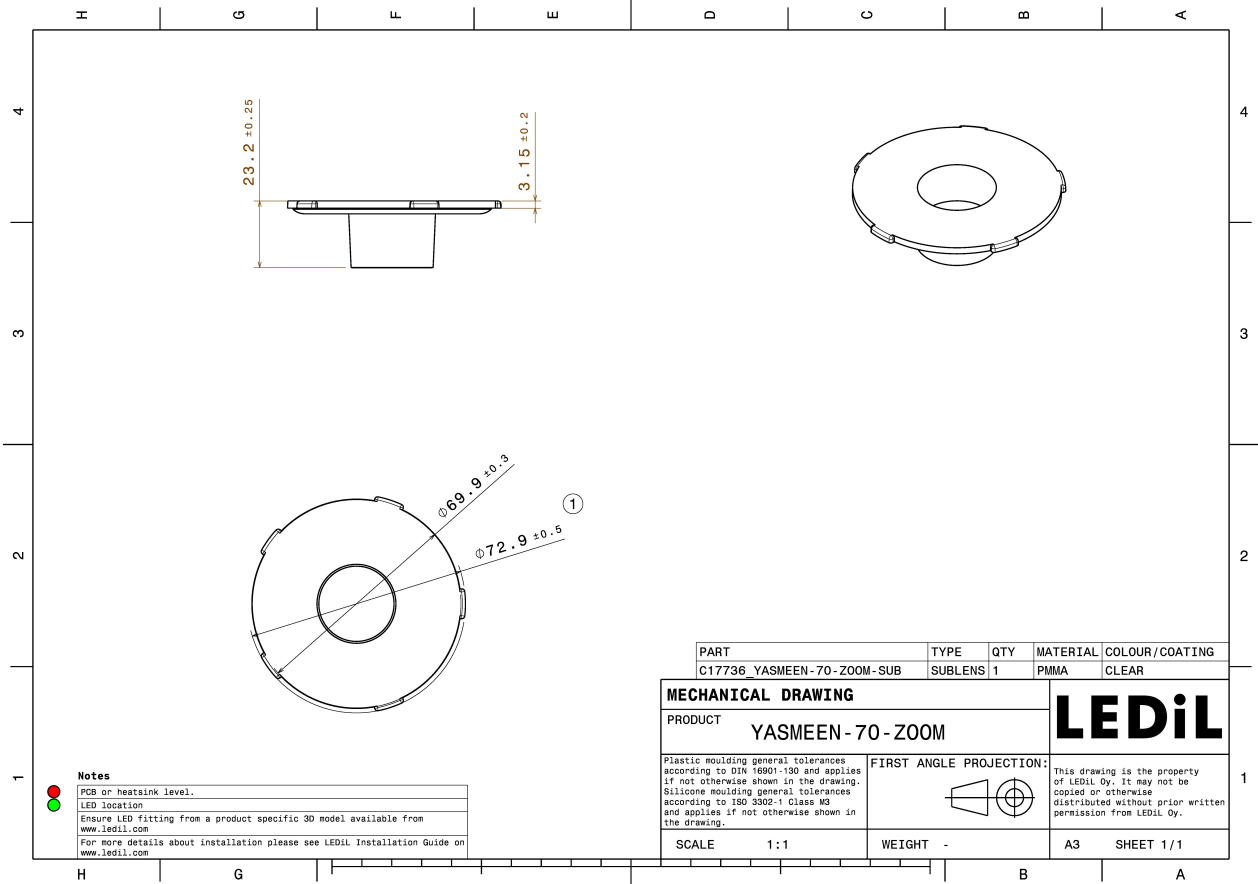
MATERIALS:

Component	Type	Material	Colour	Finish
YASMEEN-70-ZOOM	Single lens	PMMA		
YASMEEN-70-ZOOM-SUB	Sublens	PMMA		
YASMEEN-70-HLD2-C	Holder C	PC	black	
YASMEEN-70-HLD2-B	Holder B	PC	black	
YASMEEN-70-HLD2-C-WHT	Holder C	PC	white	
YASMEEN-70-HLD2-B-WHT	Holder B	PC	white	

ORDERING INFORMATION:

Component	Qty in box	MOQ	MPQ	Box weight (kg)
C17741_YASMEEN-70-ZOOM	105	105	15	8.8
C17736_YASMEEN-70-ZOOM-SUB	105	105	15	3.1
Assembly				
CP18786_YASMEEN-70-ZOOM-B2-WHT	105	105	15	10.6
CP18779_YASMEEN-70-ZOOM-C2-WHT	105	105	15	10.5
CP18772_YASMEEN-70-ZOOM-B2	105	105	15	10.6
CP18765_YASMEEN-70-ZOOM-C2	105	105	15	10.5



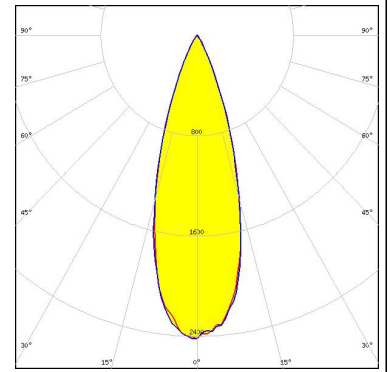


See also our general installation guide: www.ledil.com/installation_guide

OPTICAL RESULTS (SIMULATED):

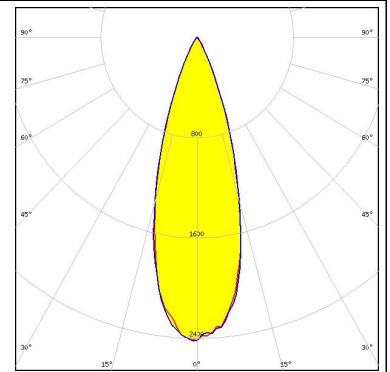
CITIZEN

LED CLL02x/CLU02x (LES10)
Ordering code CP18786_YASMEEN-70-ZOOM-B2-WHT
FWHM / FWTM 17.0 + 41.0° / 34.0 + 69.0°
Efficiency 83 %
Peak intensity 6.7 cd/lm
LEDs/each optic 1
Light colour White
Required components:
BJB: 47.360.1020



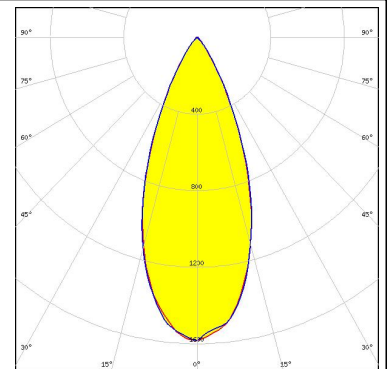
CITIZEN

LED CLL02x/CLU02x (LES10)
Ordering code CP18772_YASMEEN-70-ZOOM-B2
FWHM / FWTM 17.0 + 41.0° / 34.0 + 69.0°
Efficiency 83 %
Peak intensity 6.7 cd/lm
LEDs/each optic 1
Light colour White
Required components:
BJB: 47.360.1020



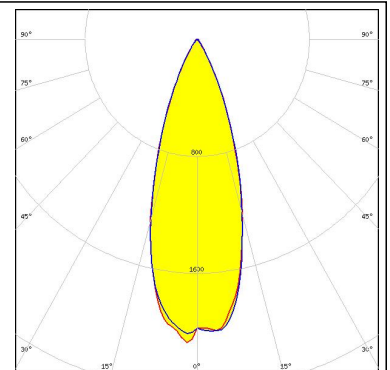
CREE LED

LED CMU10xx
Ordering code CP18772_YASMEEN-70-ZOOM-B2
FWHM / FWTM 16.0 + 42.0° / 32.0 + 69.0°
Efficiency 85 %
Peak intensity 8.1 cd/lm
LEDs/each optic 1
Light colour White
Required components:
BJB: 47.360.1020



LUMILEDS

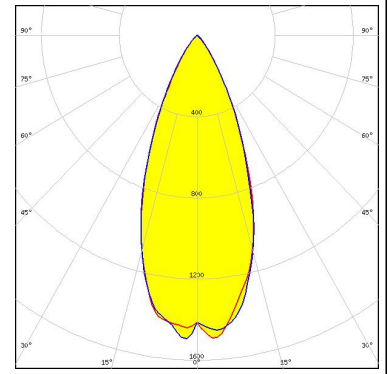
LED LUXEON CoB 1202/1203
Ordering code CP18772_YASMEEN-70-ZOOM-B2
FWHM / FWTM 20.0 + 42.0° / 41.0 + 73.0°
Efficiency 83 %
Peak intensity 4.8 cd/lm
LEDs/each optic 1
Light colour White
Required components:
BJB: 47.360.1110



OPTICAL RESULTS (SIMULATED):

SAMSUNG

LED	LC020T (Tunable white)
Ordering code	CP18765_YASMEEN-70-ZOOM-C2
FWHM / FWTM	18.0 + 42.0° / 36.0 + 71.0°
Efficiency	84 %
Peak intensity	6 cd/lm
LEDs/each optic	1
Light colour	White
Required components:	
	C16142_HEKLA-SOCKET-K
	Bender Wirth: 501 Typ L8



GENERAL INFORMATION:

NOTE: The typical beam angle will be changed by different color, chip size and chip position tolerance. The typical total beam angle is the full angle measured where the luminous intensity is half of the peak value.

Due to use of high power COB's with this product, special attention to proper thermal design is highly recommended. LEDiL has no liability for direct, indirect or consecutive damages arising from the LEDiL products being used outside of the recommended temperature range.

MATERIALS:

As part of our continuous research and improvement processes, and to ensure the best possible quality and availability of our products, LEDiL reserves the right to change material grades without notice.

PRODUCT DATA USER AGREEMENT AND DISCLAIMER:

The measured data in the provided downloadable LEDiL Product Datasheets and Mechanical 2D-Drawings is rounded and provided as reference for planning. LEDiL Oy's optical specifications have been verified by conducting performance testing of the products in accordance with the company's quality system. The reported data are averaged results of multiple measurements with typical variation. LEDiL Oy reserves the right to without prior notification make changes and improvements to its products.

LEDiL Oy assumes neither warranty, nor guarantee nor any other liability of any kind for the contents and correctness of the provided data. The provided data has been generated with highest diligence but the provided data may in reality not represent the complete possible variation range of all intrinsic parameters. Therefore, in certain cases a deviation from the provided data could occur.

LEDiL Oy reserves the right to undertake technical changes of its products without further notification which could lead to changes in the provided data. LEDiL Oy assumes no liability of any kind for the possible deviation from any provided data or any other damage resulting from the usage of the provided data.

The user agrees to this disclaimer and user agreement with the download or usage of the provided files.

LEDiL Oy

Joensuunkatu 13
FI-24240 SALO
Finland

LEDiL Inc.

228 West Page Street
Suite D
Sycamore IL 60178
USA

Ledil Optics Technology (Shenzhen) Co., Ltd.

405 , Block B
Casic Motor Building
Shenzhen 518057
P.R.CHINA

Local sales and technical support

[www.ledil.com/
where_to_buy](http://www.ledil.com/where_to_buy)

Shipping locations

Salo, Finland
Hong Kong, China

Distribution Partners

[www.ledil.com/
where_to_buy](http://www.ledil.com/where_to_buy)

Mouser Electronics

Authorized Distributor

Click to View Pricing, Inventory, Delivery & Lifecycle Information:

[Ledi:](#)

[CP18765_YASMEEN-70-ZOOM-C2](#) [CP18772_YASMEEN-70-ZOOM-B2](#) [CP18779_YASMEEN-70-ZOOM-C2-WHT](#)
[CP18786_YASMEEN-70-ZOOM-B2-WHT](#)