

| DRAWING REVISIONS | | | |
|-------------------|--|------|----------|
| REV | DOCUMENT | APP | DATE |
| A | RELEASE TO PRODUCTION D.O. #01-1405 | AC | 11/10/01 |
| B | CHG: 011 WAS 001 (P2D7) CHG: 023 WAS 021 (P2D7) CHG: 012 WAS 002 (P2C7) CHG: 024 WAS 022 (P2C6) PER ECN 03A734 | J.C. | 11/4/03 |

- NOTES
- ALL DIMENSIONS IN [] ARE IN MILLIMETERS.
 - .650 [16.51] TO BE MEASURED AT THE CENTER OF WIDTH OF CONNECTOR.
 - TERMINAL BLADE MATERIAL: BRASS WITH TIN-LEAD OVER NICKEL PLATING.
 - SOLDERABILITY MEETS USCAR 5.4.1.
 - MATES WITH CINCH PUSH-TO-SEAT HARNESS CONNECTOR (SEE SHT. 2)
 - STANDARD CELL PACK, QUANTITY 100 PIECES.
 - RECOMMENDED TORQUE: JACKSCREW 15-20 IN-LBS [1.7-2.3Nm]
PANEL SCREW 8.5±0.5 IN-LBS [0.9±0.1Nm]
PCB RETENTION SCREW 2-3 IN-LBS [0.23-0.34 Nm]

| | | | | | |
|----------------------|--------------------------------------|------------------|---|----------------------------------|--------------------------------------|
| UNITS | ENGLISH | PRO/E | Cinch | | 1700 FINLEY RD LOMBARD, IL. 60148 |
| DO NOT SCALE DRAWING | DRAWN BY J. TOBACK | DATE 11/16/01 | TITLE CONNECTOR ASSEMBLY, RECEPTACLE 18 POSITION (WITHOUT FERRITES) | | |
| | DESIGN ENGINEER J. TOBACK | 11/16/01 | MATERIAL | | CONTROL SPEC NUMBER |
| | DESIGN ENGINEERING MGR. A. CAINES | 11/16/01 | MATERIAL SPEC NUMBER | FINISH | PROJECT NUMBER C13841 |
| | MFG. ENGINEERING P. WALTHALL | 12/06/01 | CAD FILE NUMBER 5810118011S | DRAWING NUMBER 581 01 18 011S | |
| | QUALITY ASSURANCE T. SHAH | 12/06/01 | CAGE IDENT NO. SIZE 71785 B | SCALE 1.000 | SHEET 1 OF 2 |

MODELED BY:
J. TOBACK

8

7

6

5

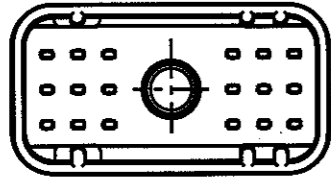
4

3

2

1

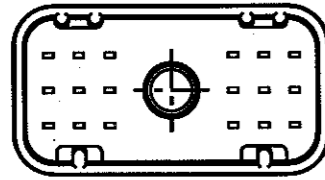
581 01 18 011 (BLACK)



POLARIZATION "A"

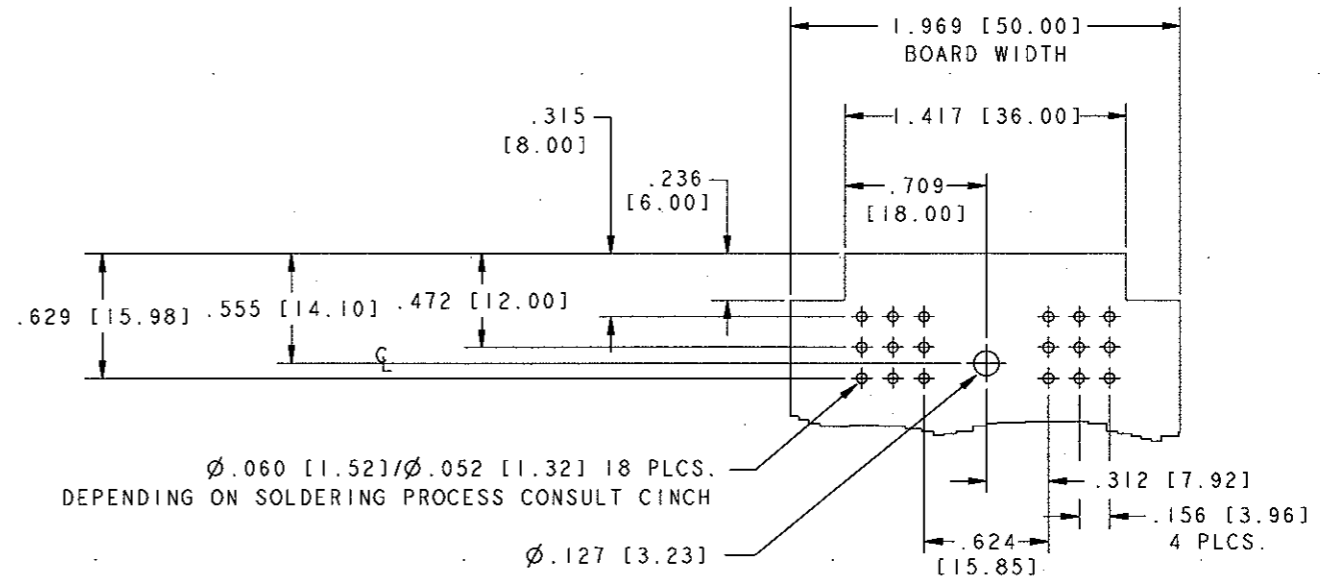
MATES WITH CINCH P/N 581 01 18 023

581 01 18 012 (NATURAL)

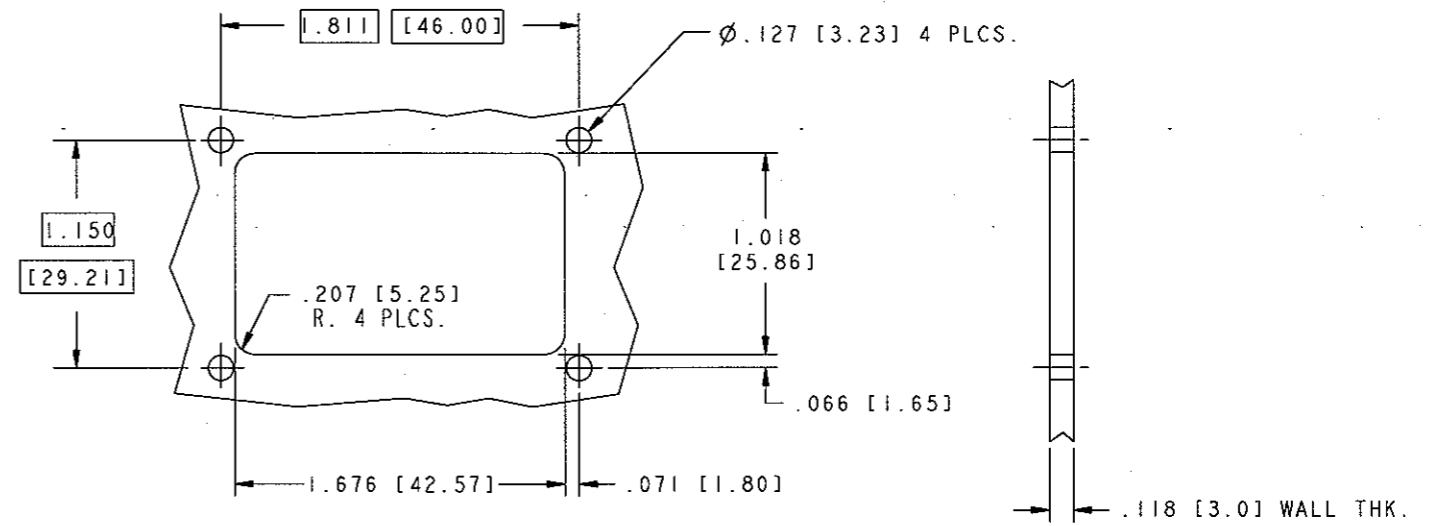


POLARIZATION "B"

MATES WITH CINCH P/N 581 01 18 024



RECOMMENDED PC BOARD LAYOUT



MOUNTING HOLE-MODULE CASE OPENING

| | | | | | |
|--|--|---|----------------------------------|--------------------------------------|--|
| UNITS ENGLISH | | Cinch | | 1700 FINLEY RD LOMBARD, IL. 60148 | |
| DO NOT SCALE DRAWING | | TITLE CONNECTOR ASSEMBLY, RECEPTACLE 18 POSITION (WITHOUT FERRITES) | | | |
| | | PRO/E DRAWING | | | |
| THIS DOCUMENT IS THE PROPERTY OF CINCH. NEITHER THIS DOCUMENT NOR ANY OF THE INFORMATION CONTAINED IN IT MAY BE DUPLICATED OR DISCLOSED WITHOUT PRIOR WRITTEN CONSENT OF CINCH. | | CAD FILE NUMBER 5810118011S | DRAWING NUMBER 581 01 18 011S | REV B | |
| | | CAGE IDENT NO. SIZE 71785 B | SCALE 1.000 | SHEET 2 OF 2 | |

8

7

6

5

4

1

Mouser Electronics

Authorized Distributor

Click to View Pricing, Inventory, Delivery & Lifecycle Information:

[Cinch Connectivity Solutions:](#)

[5810118012](#) [5810118011](#)