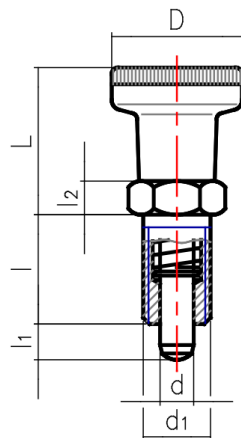
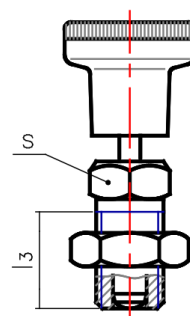


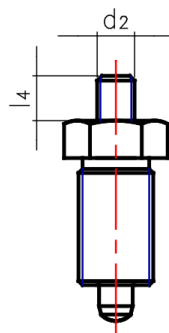
Execution A



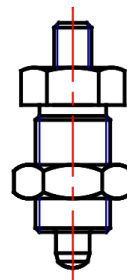
Execution AK

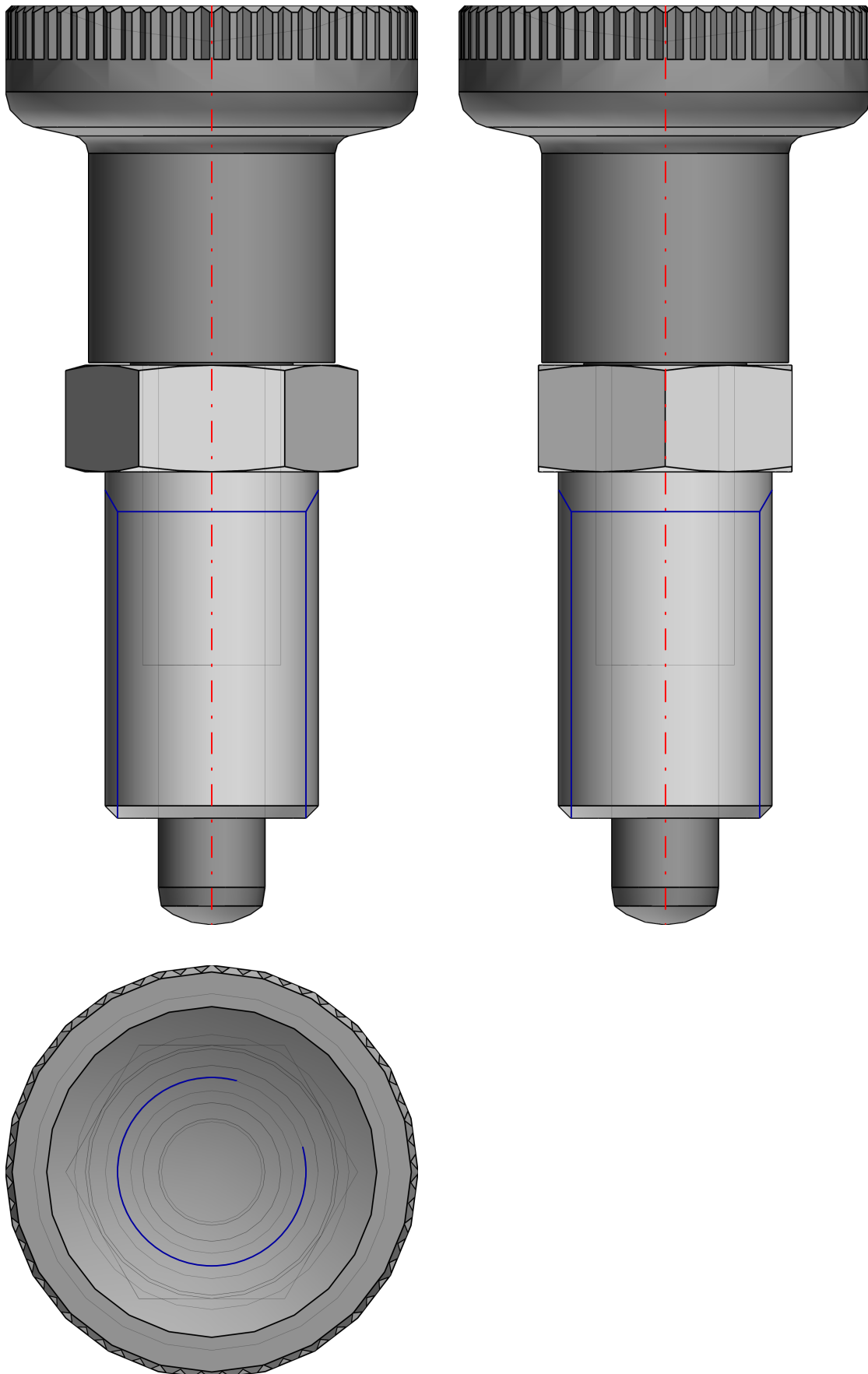


Execution G



Execution GK





CODE (Code)	51581
DESCRIPTION (Description)	PMT.100-8-M16x1.5-SST-AK
POS (Position)	closed
DIM01 (d -0.15 -0.1 / mm)	8
DIM02 (L / mm)	35
DIM03 (d1)	M16x1.5
DIM05 (D / mm)	31
DIM06 (I / mm)	26
DIM07 (I1 / mm)	8
DIM08 (I2 / mm)	8
DIM09 (I3 / mm)	23
DIM11 (S / mm)	19
DIM12 (Preload / N~)	11
DIM13 (Max. load / N~)	30
WEIGHT (Weight / g)	25

Bill of material

N°	Description	Amount
1.1		2