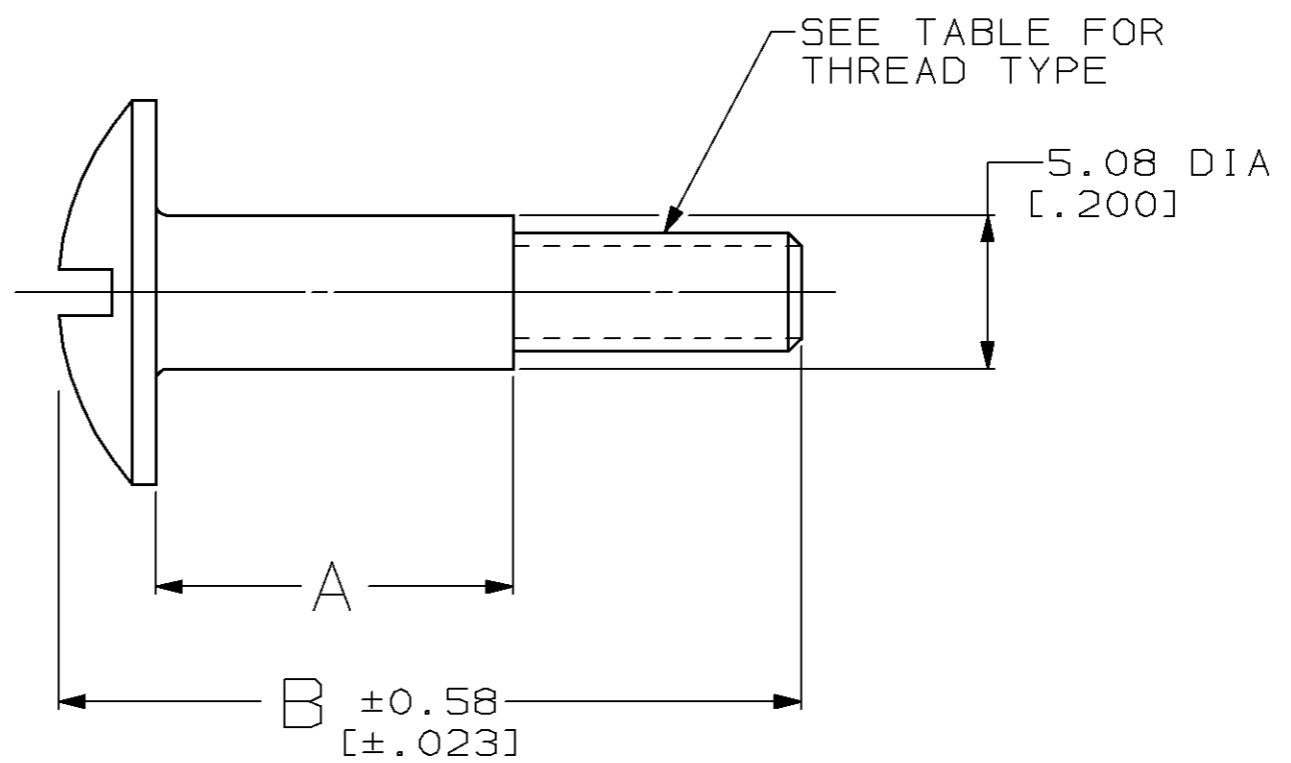
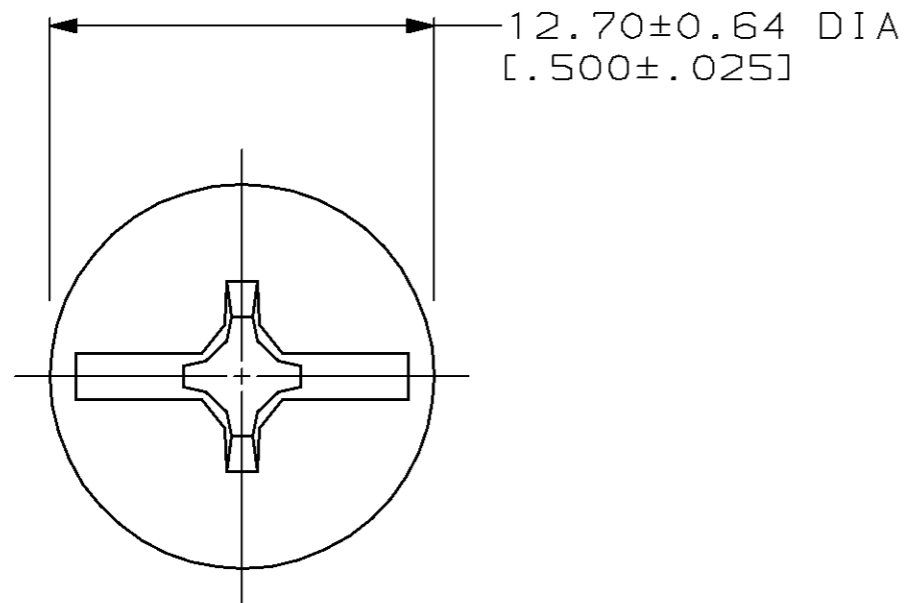


THIS DRAWING IS UNPUBLISHED. RELEASED FOR PUBLICATION, 19 .
 © COPYRIGHT 19 BY AMP INCORPORATED. ALL INTERNATIONAL RIGHTS RESERVED.

| LOC | DIST | P | F | ZONE | LTR | DESCRIPTION | DATE | APPD |
|-----|------|---|---|------|-----|-----------------------------------|-----------|------|
| FT | 13 | | | | L | OBSOLETE -2 PER EC 0020-596-96 | 08 JAN 97 | MM |
| | | | | | M | REV PER EC 0320-0364-97 | 27 APR 98 | MM |



| | | | | |
|----------|---------------|--------------|--------------|----------|
| | 34.29 [1.350] | 21.69 [.854] | SAE 6/32 | 208211-6 |
| | 24.54 [.966] | 11.81 [.465] | SAE 6/32 | 208211-4 |
| | 34.29 [1.350] | 21.69 [.854] | M4 x 0.7-6g | 208211-3 |
| OBSOLETE | 34.29 [1.350] | 21.69 [.854] | SELF TAPPING | 208211-2 |
| | 24.54 [.966] | 11.81 [.465] | M4 x 0.7-6g | 208211-1 |

| B | A | THREAD | PART NO |
|---|---|----------------------------|--|
| DO NOT SCALE PRINT. UNLESS SPECIFIED DIMENSIONS IN mm [INCHES] TOLERANCES ON: 2 PLC DEC ± 0.13 [.005] 3 PLC DEC ± - ANGLES ± - | | DR 02/24/92 L.SIPE | AMP AMP Incorporated Harrisburg, PA 17105-3608 |
| MATERIAL STAINLESS STEEL | | CHK 3-1-92 J. McCLINTON | |
| FINISH - | | APPD 3-1-92 A. TRAVIS | NAME SCREW, SHOULDER, SPECIAL, METRIMATE |
| | | APPD 3-2-92 C. ROHDE | SIZE B CAGE CODE 00779 DRAWING NO 208211 |
| | | PRODUCT SPEC - | SCALE 4:1 SHEET 1 OF 1 |
| | | APPLICATION SPEC - | |
| | | WEIGHT - | |

Mouser Electronics

Authorized Distributor

Click to View Pricing, Inventory, Delivery & Lifecycle Information:

[TE Connectivity:](#)

[208211-1](#)