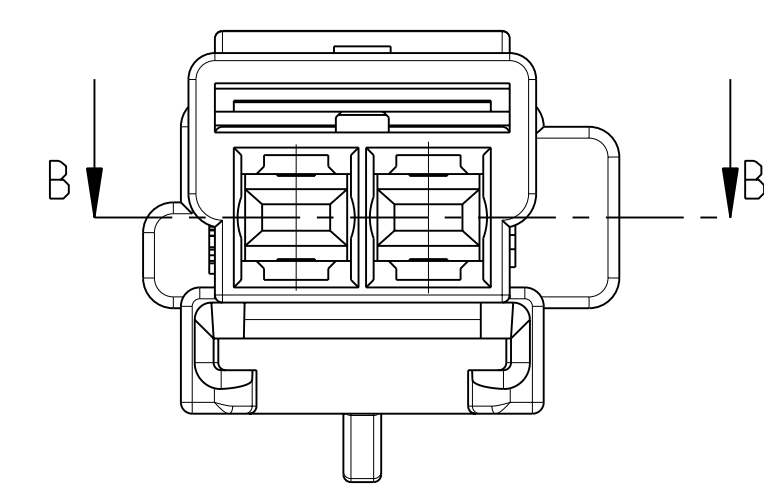
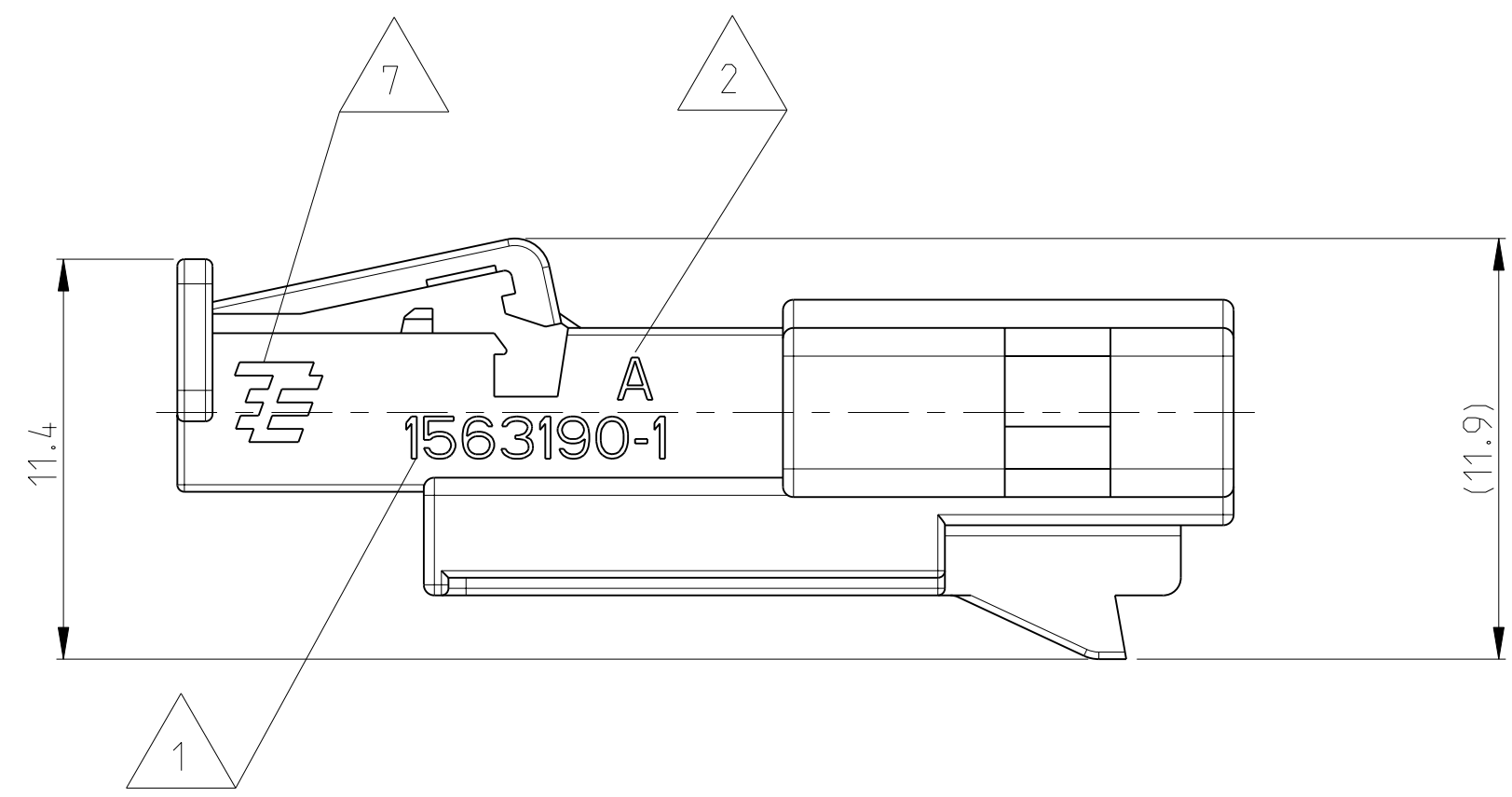
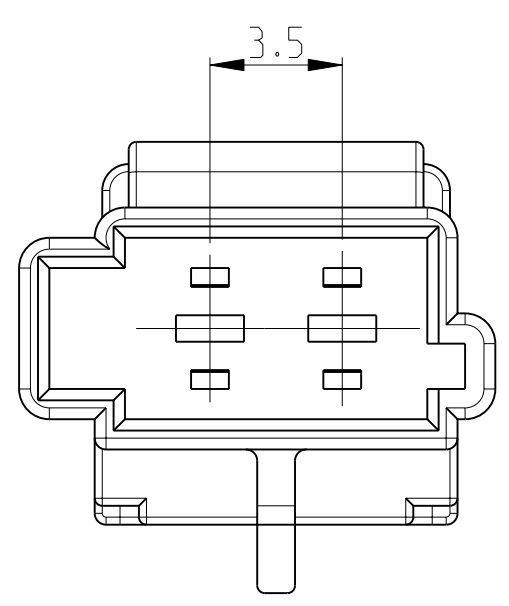
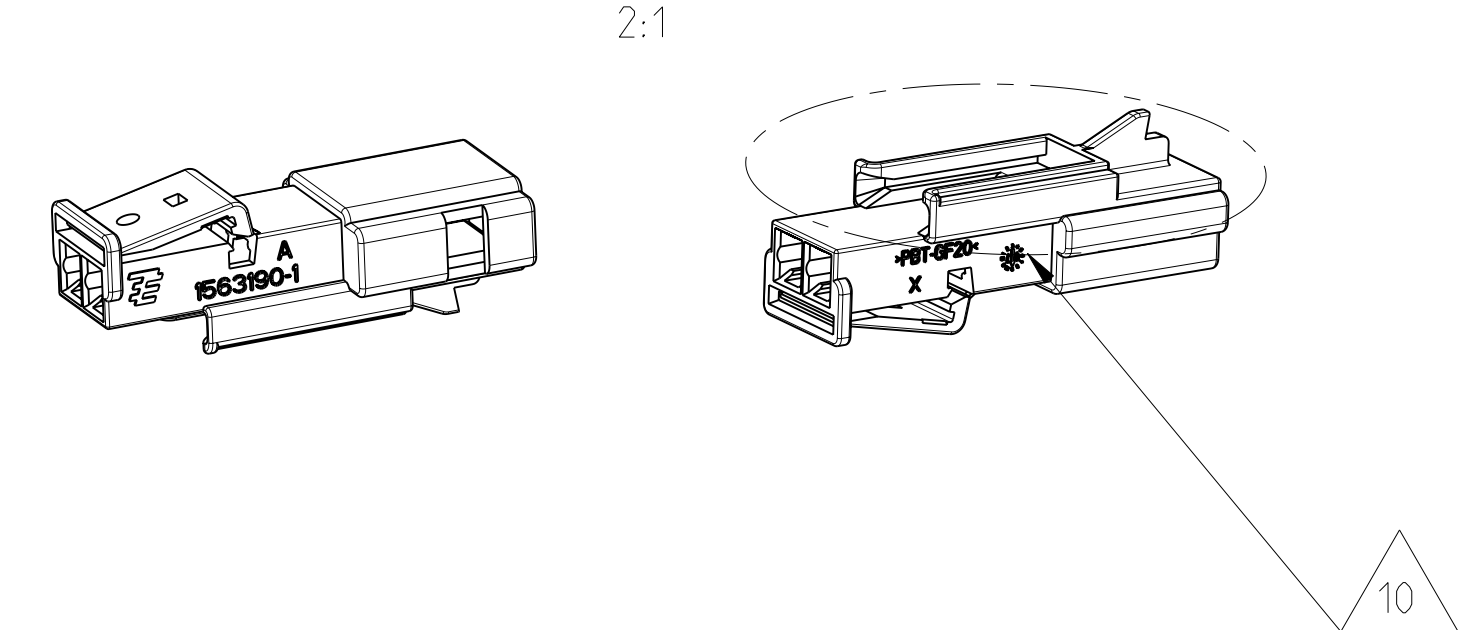
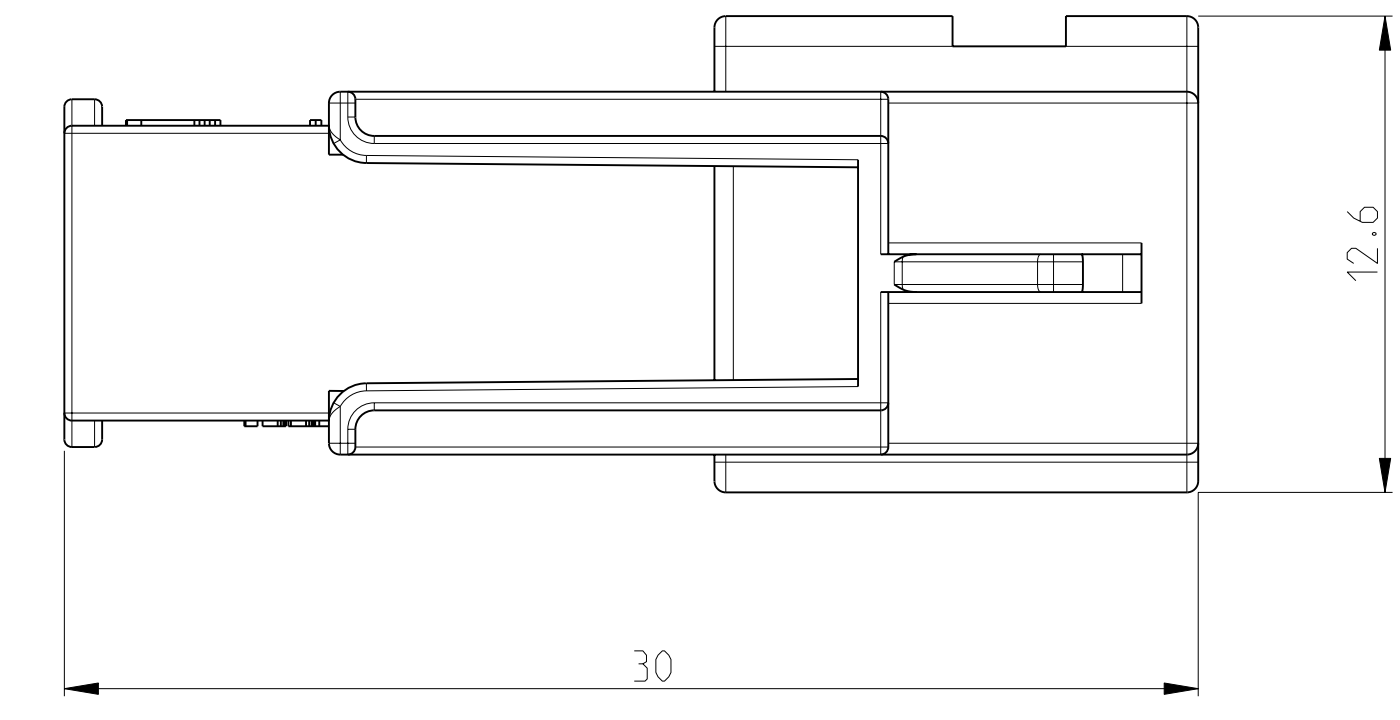
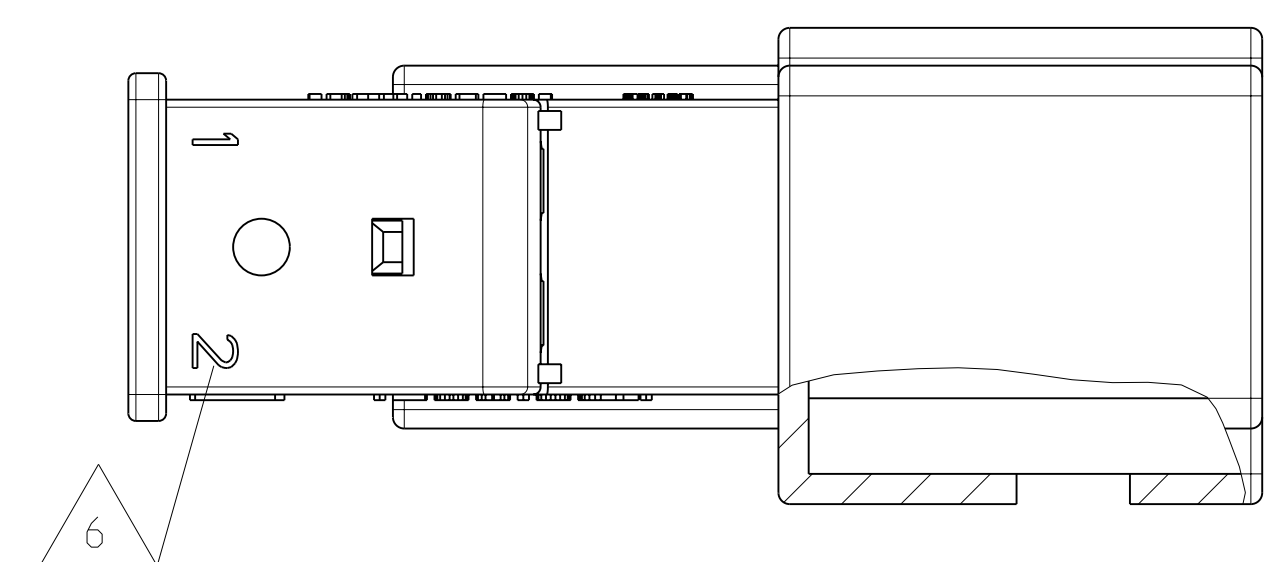


PROJECT NO.	EGATN07138	LOC	A1	DIST	-
REVISIONS					
REV	DATE	BY	CHK	APPV	DESCRIPTION
A	29 JUN 2007	CA	AK		NEW DRAWING
A1	27 MAY 2008	CA	VB		SEE E-08-012925

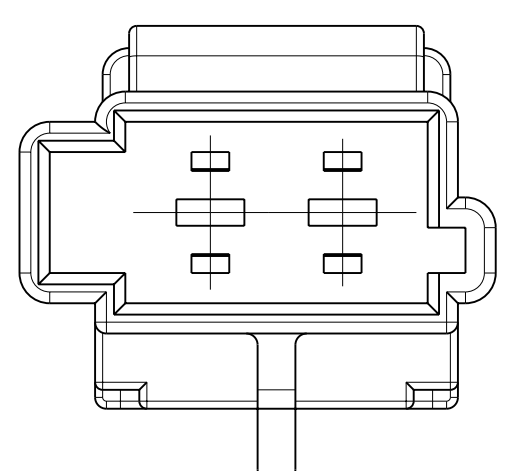


- NOTES
BEMERKUNGEN
- NV NOTE NOT VALID
Bemerkung nicht verwendet
 - 1 ORDER NUMBER
BESTELL-NUMMER
 - 2 REVISION NUMBER
WERKZEUGÄNDERUNGSINDEX
 - 3 MATERIAL MARKING
WERKSTOFFKENNZEICHNUNG
 - NV GM LOGO
GM Logo
 - 5 PRODUCTION DATE
PRODUKTIONSdatum
 - 6 CONTACT CAVITY NUMBER
KONTAKTKAMMERNUMMER
 - 7 TE LOGO
TE Logo
 - 8 PACKAGING: BULK MATERIAL IN CARDBOARD BOX
VERPACKUNG: SCHÜTTGUT IN KARTON
 - 9 TOOL CAVITY MARKING
NESTMARKIERUNG
 - 10 SLOT FOR GM 13257300 (ZUH 360)
Aufnahme fuer GM 13257300 (ZUH 360)

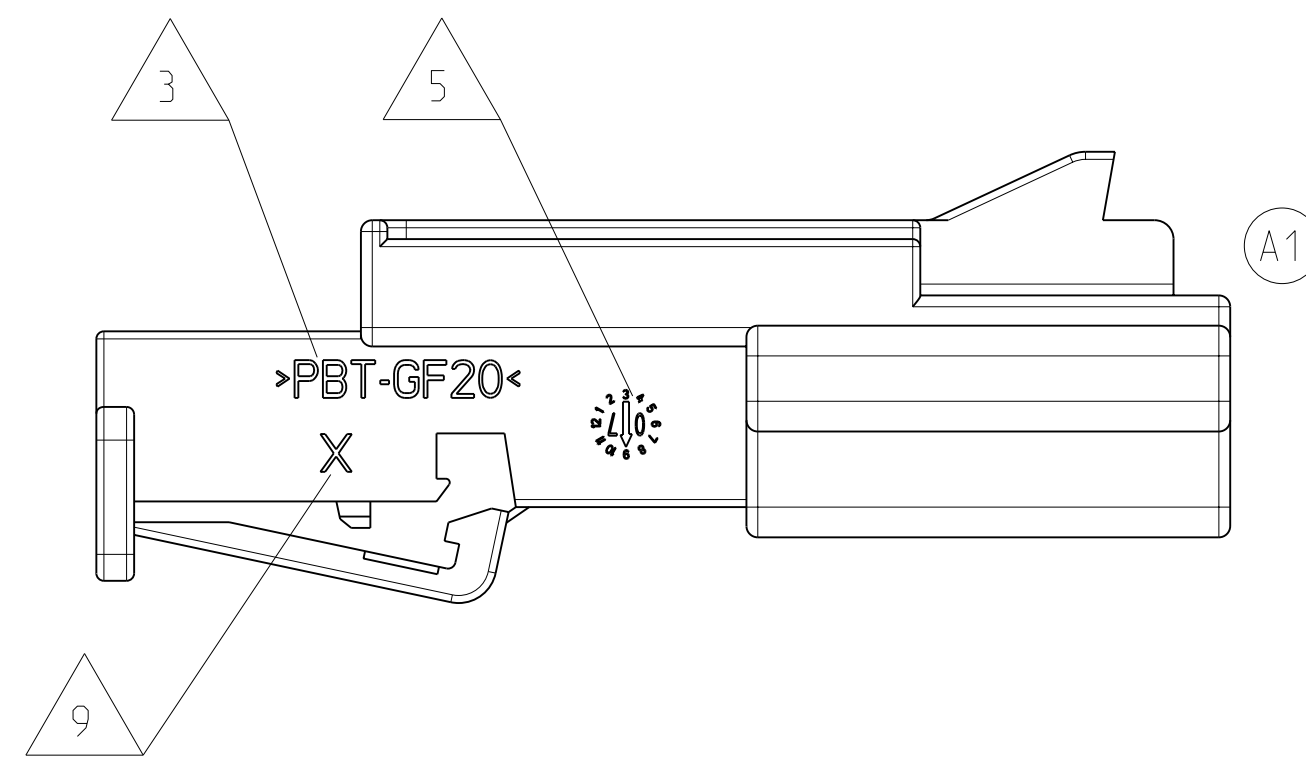
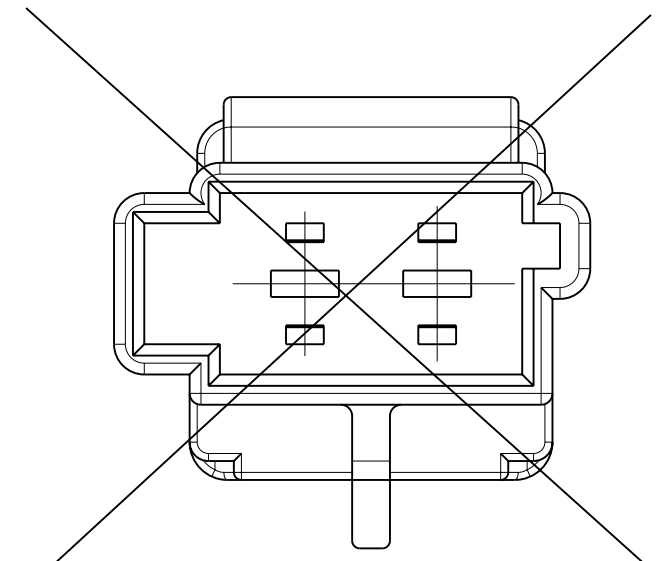
B-B



CODING A



CODING B



A1	1452140	2 Pos. MT2, Rec-Hsg.
	962580	2 Pos. MT2, Rec-Hsg.
	1563189	2 Pos. MT2, Rec-Hsg.
	TE BESTELL-NR. TE ORDER NO.	BENENNUNG DESCRIPTION
	COUNTERPARTS GEGENSTECKER	

0-1241846-1	0-1241847-2	1.5	CuFe 2	PRETINNED
0-0964267-2	0-0964268-2	0.5-1.0	CuFe 2	PRETINNED
0-0964265-2	0-0964266-2	0.35-0.5	CuFe 2	PRETINNED
TE ORDER NO STRIP FORM	TE ORDER NO LOOSE PIECE	WIRE RANGE MM ²	MATERIAL	FINISH

A1 RECOMMENDED CONTACT SYSTEM: MICRO TIMER 2 TYPE A; UNSEALED FOR CABLE INSULATION TYPE FLR ACC. DIN 72551 / ISO 6722 MAX. WIRE SIZE 1.5mm² MAX. CABLE INSULATION CRIMP DIAMETER 2.9mm FOR CABLE INSULATION TYPE TXL ACC. SAE J1128 MAX. WIRE SIZE 1.0mm² OR MAX AWG 18 THE USE OF OTHER CABLE TYPES MUST BE CHECKED IN ANY INDIVIDUAL CASE!

-	0-1563190-2	A	2 Pos. TAB 1.6x0.6. TAB-Hsg. COBB	Hbd	PBT-GF20	1.3	1
19179872	0-1563190-1	A	2 Pos. TAB 1.6x0.6. TAB-Hsg. CODA	BLACK	PBT-GF20	1.3	1
CUSTOMER PART NO	PART NO	REV	DESCRIPTION	COLOR	MATERIAL	WEIGHT (g)	ITEM NO

THIS DRAWING IS UNPUBLISHED. RELEASED FOR PUBLICATION 2007. ALL RIGHTS RESERVED.

DATE: 29 JUN 2007
 CHK: A. Ketteler
 APPV: -

NAME: 2 Pos. 1.6x0.6. TAB Hsg.

PRODUCT SPEC: 108-94118
 APPLICATION SPEC: 114-18901

WEIGHT: -
 CUSTOMER DRAWING

SCALE: 5:1 SHEET: 1 OF 1 REV: A1