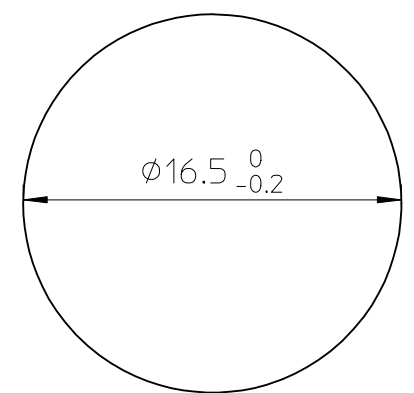
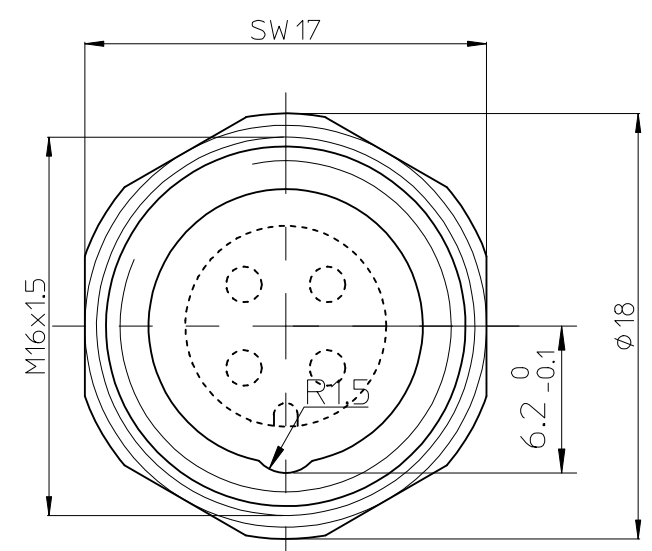


WIRES SPECIFICATION:

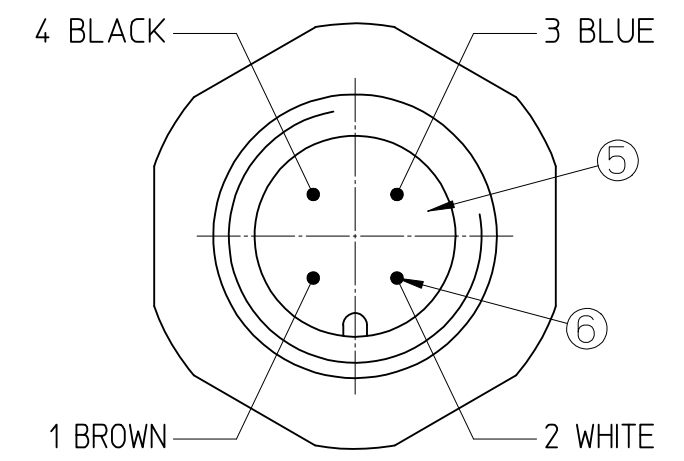
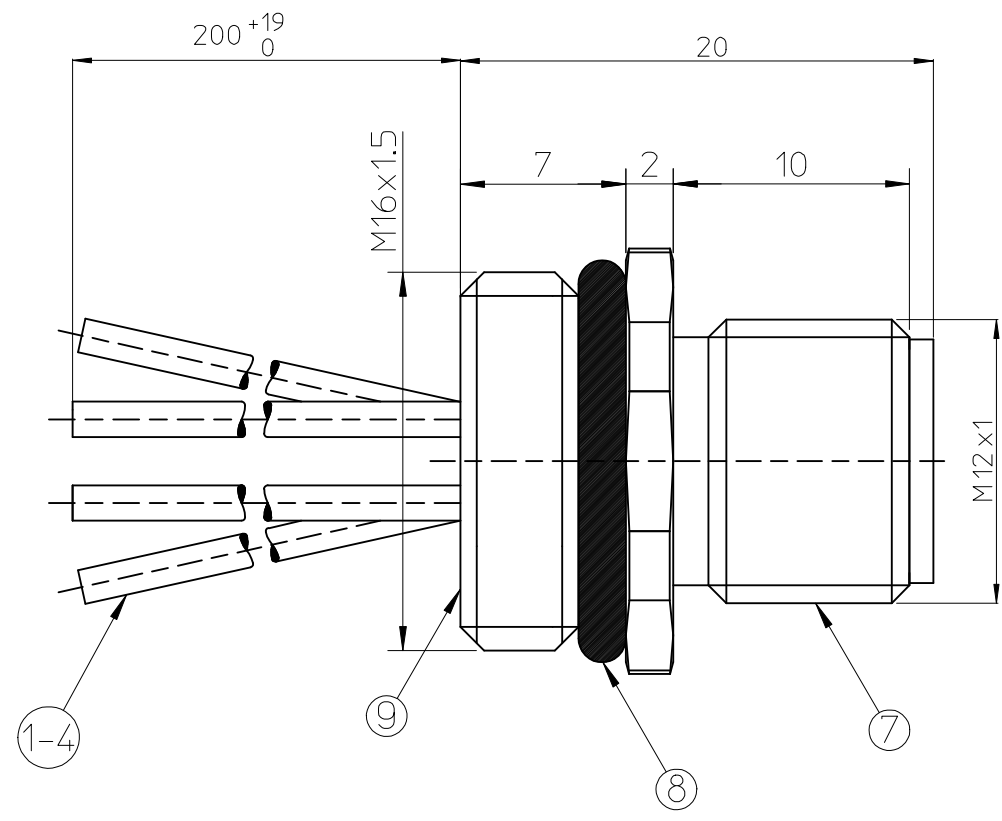
RATED VOLTAGE: 300 V
 RATED TEMPERATURE: 105°C
 PRODUCT STANDARD CERTIFICATION: UL
 FLAMMABILITY TEST: VW-1, CSA FT1
 REFERENCE STANDARD: UL758, UL1581 & CSA C22.2 No. 210
 AWG: 22
 CONSTRUCTION: 17/0.16
 INSULATION: PVC
 INSULATION DIAMETER: 1.58 (±0.05) mm



PANEL CUT-OUT



VIEW FROM THE WIRES SIDE



VIEW FROM THE FRONT SIDE

Bill of Materials

ITEM	QTY.	DESCRIPTION	MATERIAL	FINISH
9	-	POTTING MATERIAL	WEVO RESIN	-
8	1	O-RING	NBR 70	BLACK
7	1	M12x1 M16x1.5 SHELL	CuZn39Pb	Cu/Ni3b
6	4	CONTACT	CuZn39Pb3	Cu/Ni2 Au0.5
5	1	M12 4P MALE INSERT	DURETHAN B30S	-
4	-	WIRE 22AWG	PVC	WHITE
3	-	WIRE 22AWG	PVC	BLACK
2	-	WIRE 22AWG	PVC	BROWN
1	-	WIRE 22AWG	PVC	BLUE

ENGINEERING NO.
8R4U2603C200

ORIGINAL RELEASE
 EC NO: IPG2015-0552
 DRWN:FGAIK 2014/09/19
 CHKD:WSTRASZKIEWI 2014/09/22
 APPR:MIWASIECZKO 2014/09/25

QUALITY SYMBOLS

 =0
 =0

GENERAL TOLERANCES (UNLESS SPECIFIED)

	mm	INCH
4 PLACES	± ---	± ---
3 PLACES	± ---	± ---
2 PLACES	± 0.05	± ---
1 PLACE	± 0.3	± ---
0 PLACE	± 0.5	± ---

ANGULAR ± 1 °
 DRAFT WHERE APPLICABLE
 MUST REMAIN WITHIN DIMENSIONS

DIMENSION STYLE
MM ONLY

DRAWN BY	DATE
FGAIK	2014/09/19
CHECKED BY	DATE
WSTRASZKIEWI	2014/09/22
APPROVED BY	DATE
MIWASIECZKO	2014/09/25

MATERIAL NO.
1200705055

SCALE	DESIGN UNITS	TITLE
---	METRIC	M12-REC-4P-M16-0.2M-PVC
THIRD ANGLE PROJECTION		
DOCUMENT NO. RSD-120070-056		SHEET NO. 1 OF 1

molex

THIS DRAWING CONTAINS INFORMATION THAT IS PROPRIETARY TO MOLEX INCORPORATED AND SHOULD NOT BE USED WITHOUT WRITTEN PERMISSION