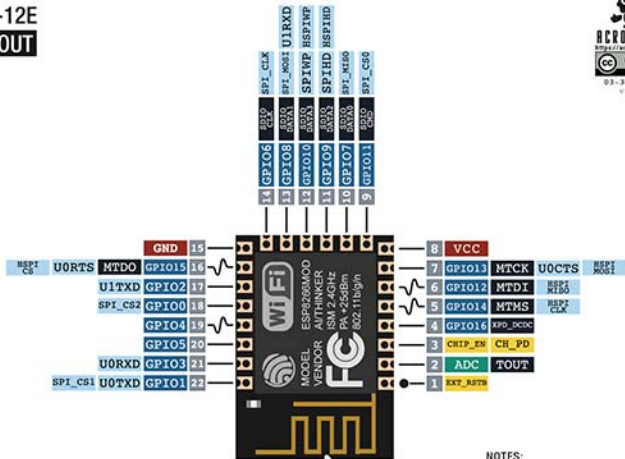


# ESP-12E PINOUT



<span style="background-color: red; color: black;"> </span> POWER	<span style="background-color: black; color: white;"> </span> SP. FUNCTION(S)
<span style="background-color: blue; color: white;"> </span> I/O	<span style="background-color: lightblue; color: black;"> </span> COMM. INTERFACE
<span style="background-color: green; color: black;"> </span> ADC	<span style="background-color: gray; color: black;"> </span> PIN NUMBER
<span style="background-color: yellow; color: black;"> </span> CONTROL	 PWM
<span style="background-color: white; border: 1px solid black;"> </span> N/C	

## NOTES:

- ▲ Typ. pin current 6mA (Max. 12mA)
- ▲ For sleep mode, connect GPIO16 and EXT\_RSTB. On wakeup, GPIO16 will output LOW for system reset.
- ▲ On boot/reset/wakeup, keep GPIO15 LOW and GPIO2 HIGH.