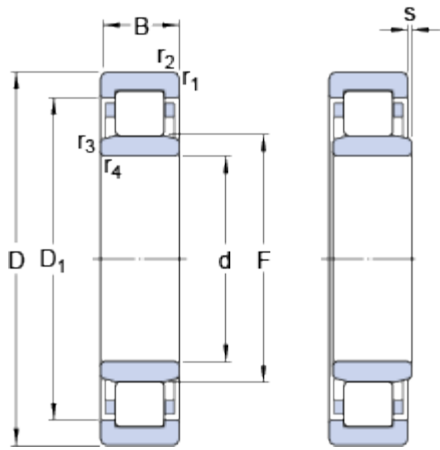


NU 308 ECJ

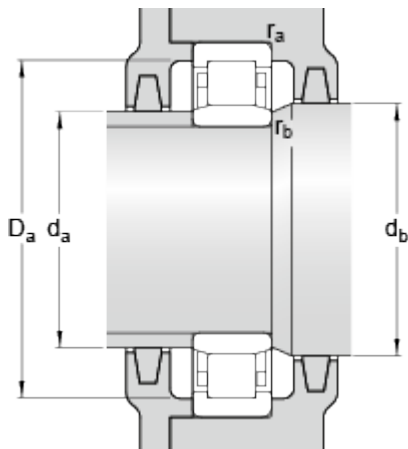
Popular item
SKF Explorer

Dimensions



d	40	mm
D	90	mm
B	23	mm
D ₁	≈ 75.18	mm
F	52	mm
r _{1,2}	min. 1.5	mm
r _{3,4}	min. 1.5	mm
s	max. 1.4	mm

Abutment dimensions



d _a	min. 48	mm
d _a	max. 50	mm
d _b	min. 54	mm
D _a	max. 81.8	mm
r _a	max. 1.5	mm
r _b	max. 1.5	mm

Calculation data

Basic dynamic load rating	C	93	kN
Basic static load rating	C ₀	78	kN
Fatigue load limit	P _u	10.2	kN
Reference speed		8000	r/min
Limiting speed		9500	r/min
Calculation factor	k _r	0.15	
Limiting value	e	0.2	
Axial load factor	Y	0.6	

Mass

Mass bearing	0.67	kg
--------------	------	----

Associated products

