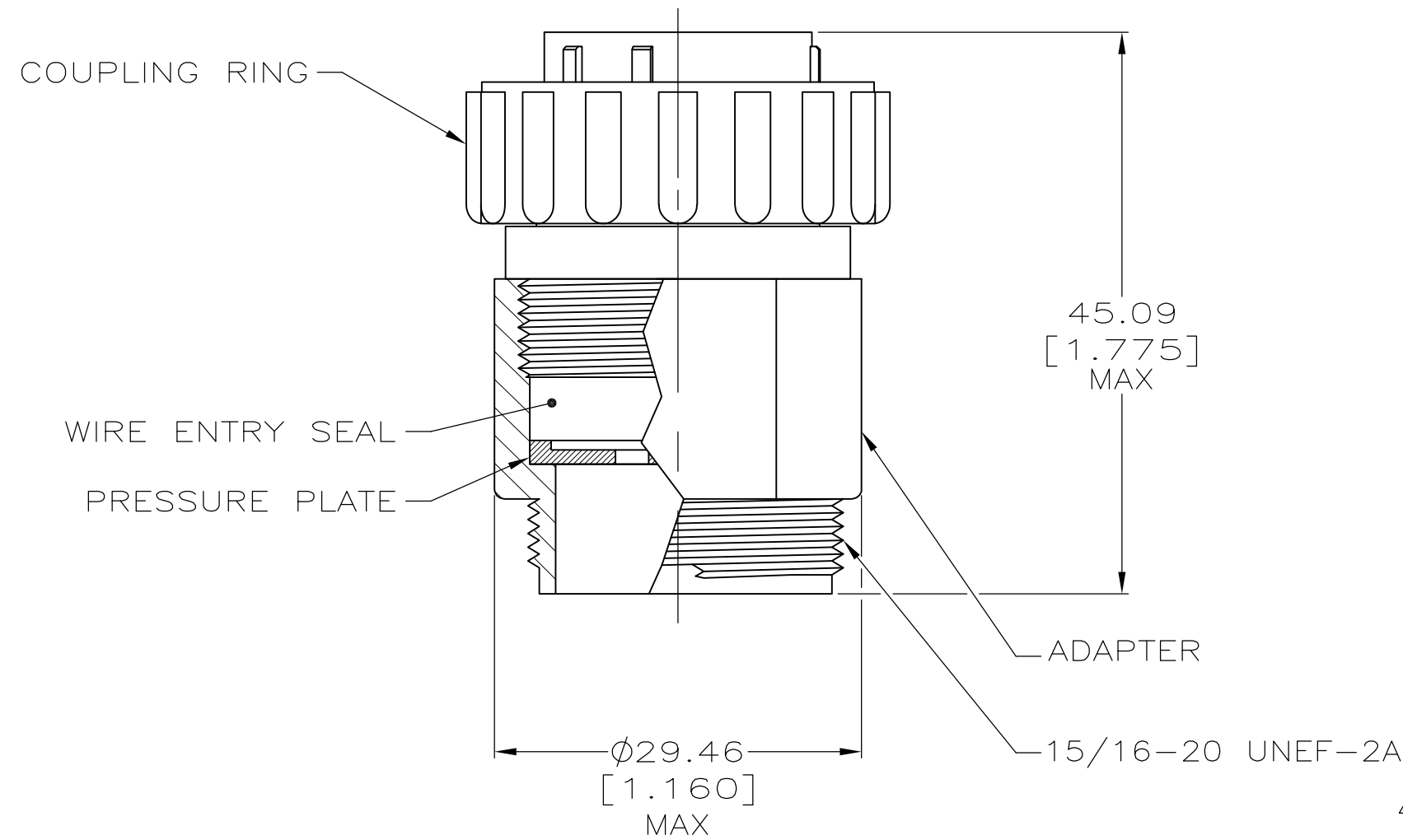
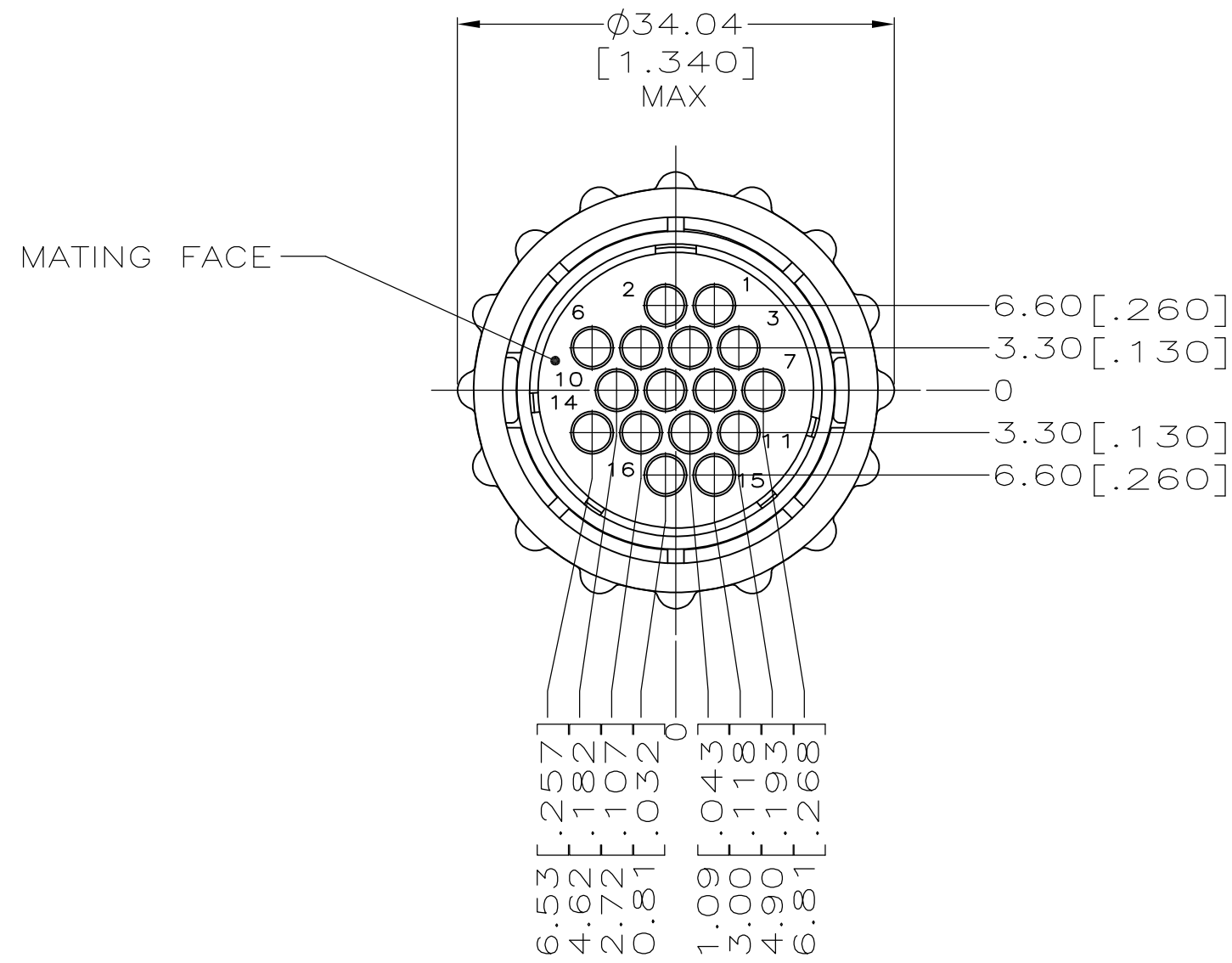


THIS DRAWING IS UNPUBLISHED. RELEASED FOR PUBLICATION  
 © COPYRIGHT BY TYCO ELECTRONICS CORPORATION. ALL RIGHTS RESERVED.

LOC	DIST	REVISIONS			
P	LTR	DESCRIPTION	DATE	DWN	APVD
FT	0	E1 REVISED PER ECO-08-032011	23DEC08	HMR	MS



- 1 HOUSING, ADAPTER AND PRESSURE PLATE: NYLON, BLACK.  
WIRE ENTRY SEAL: ELASTOMER, SEE TABLE.  
COUPLING RING: POLYPHENYLENE, BLACK.
- 2 CONNECTOR WILL ACCEPT (16) MULTIMATE SOCKET CONTACTS.
- 3 HOUSING, ADAPTOR AND COUPLING RING MATERIAL: POLYESTER, PBT.
- 4 METAL COUPLING RING.

SEAL COLOR	DIA. RANGE	INSULATION	PART NUMBER
1 RED-IRON OXIDE	.065 - .120	STANDARD	796274-4
3 OBSOLETE YELLOW	.040 - .080	SMALL	796274-3
1 YELLOW	.040 - .080	SMALL	796274-2
1 RED-IRON OXIDE	.065 - .120	STANDARD	796274-1

THIS DRAWING IS A CONTROLLED DOCUMENT.		DWN L. McEACHIN 27-JAN-2000	Tyco Electronics Corporation Harrisburg, Pa 17105-3608	
DIMENSIONS: mm	TOLERANCES UNLESS OTHERWISE SPECIFIED:	CHK K. DOWHWOWER 27-JAN-2000	NAME ASSEMBLY, PLUG, STANDARD SEX, 17-16, STANDARD OR SMALL INSULATION DIA., SEALED	
	0 PLC ± - 1 PLC ± - 2 PLC ± - 3 PLC ± - 4 PLC ± - ANGLES ± -	APVD K. DOWHWOWER 27-JAN-2000	SIZE A2	RESTRICTED TO
MATERIAL	FINISH	PRODUCT SPEC	CAGE CODE 00779	DRAWING NO. 796274
		APPLICATION SPEC	SCALE 2:1	SHEET 1 OF 1
		WEIGHT	REV E1	
		CUSTOMER DRAWING		