



MIL-DTL-28840/1 Straight Non-Self-Locking Strain Relief

CONNECTOR DESIGNATOR:

G MIL-DTL-28840

Basic
Part Number

Designator

M28840/1

J

W

Material and Finish

D = Corrosion Resistant Steel,
Cadmium Plate, Black

W = Aluminum, Cadmium Olive Drab

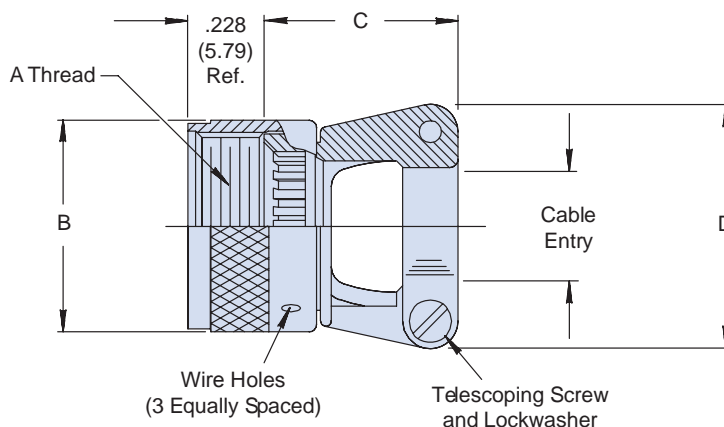


TABLE I: Shell Size, Cable Entry and Backshell Dimensions

Designator	Shell Size Ref.	A Thread Class 2B	C Max	E Max	F Max	Cable Entry					
						Closed		Open			
A	11	.750 - 20 UNEF	1.028 (26.1)	1.091 (27.7)	.903 (22.9)	.177 (4.5)	.286 (7.3)	.177 (4.5)	.286 (7.3)	.177 (4.5)	.286 (7.3)
B	13	.875 - 20 UNEF	1.141 (29.0)	1.091 (27.7)	.977 (24.8)	.177 (4.5)	.286 (7.3)	.177 (4.5)	.286 (7.3)	.177 (4.5)	.286 (7.3)
C	15	1.000 - 20 UNEF	1.263 (32.1)	1.091 (27.7)	1.151 (29.2)	.250 (6.4)	.416 (10.6)	.250 (6.4)	.416 (10.6)	.250 (6.4)	.416 (10.6)
D	17	1.125 - 18 UNEF	1.387 (35.2)	1.206 (30.6)	1.281 (32.5)	.291 (7.4)	.476 (12.1)	.291 (7.4)	.476 (12.1)	.291 (7.4)	.476 (12.1)
E	19	1.250 - 18 UNEF	1.513 (38.4)	1.320 (33.5)	1.406 (35.7)	.348 (8.8)	.626 (15.9)	.348 (8.8)	.626 (15.9)	.348 (8.8)	.626 (15.9)
F	23	1.438 - 18 UNEF	1.703 (43.3)	1.445 (36.7)	1.576 (40.0)	.429 (10.9)	.831 (21.1)	.429 (10.9)	.831 (21.1)	.429 (10.9)	.831 (21.1)
G	25	1.562 - 18 UNEF	1.825 (46.4)	1.570 (39.9)	1.666 (42.3)	.523 (13.3)	.956 (24.3)	.523 (13.3)	.956 (24.3)	.523 (13.3)	.956 (24.3)
H	29	1.875 - 16 UN	2.143 (54.4)	1.721 (43.7)	2.046 (52.0)	.643 (16.3)	1.081 (27.5)	.643 (16.3)	1.081 (27.5)	.643 (16.3)	1.081 (27.5)
J	33	2.062 - 16 UNS	2.329 (59.2)	1.908 (48.5)	2.209 (56.1)	.704 (17.9)	1.187 (30.1)	.704 (17.9)	1.187 (30.1)	.704 (17.9)	1.187 (30.1)

APPLICATION NOTES

1. Assembly to be identified with manufacturer's name and part number, space permitting.
2. Cable Entry is defined as the accommodation entry for the wire bundle or cable. Dimensions are not intended for inspection criteria.
3. For complete dimensions, see the applicable Military Specification.
4. Metric dimensions (mm) are in parentheses.

Dimensions in inches (millimeters) and are subject to change without notice.

Mouser Electronics

Authorized Distributor

Click to View Pricing, Inventory, Delivery & Lifecycle Information:

[Glenair:](#)

[M28840/1EW](#)