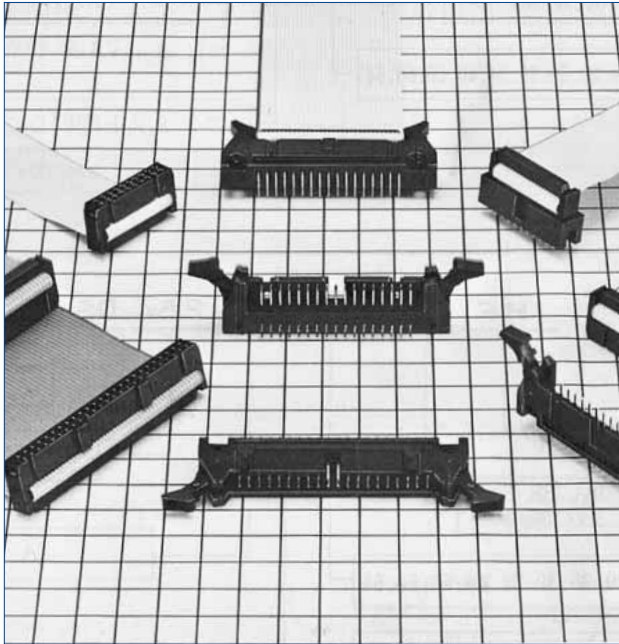


Ribbon Cable connector Compliant with MIL Standard

HIF3B Series



■ Features

1. Product Compliant with MIL Standard

HIF3B series has been developed as a product compliant with MIL standard, and used for wide applications.

2. UL Approval Product

HIF3B series connectors are UL approved.

3. Mechanism to Prevent Mis-insertion

This connector is equipped with the mechanism to prevent Mis-insertion as follows.

- ① The system provides the convex area to insert the guide-key on the pin header side, and to guide it in combination with the socket convex area (MIL standard).
- ② The system embeds and guides the polarizing key in the socket holes.

4. Applicable Cable 28 AWG (IDC type)

The applicable cable is UL2651 28 AWG flat cable (7cores./0.127mm, jacket dia. 0.9 ± 0.1 mm).

■ Product Specifications

| | | | |
|--------|--|-------------------------------|-----------------------------|
| Rating | Current rating : | Operating Temperature Range : | Storage Temperature Range : |
| | IDC : 1A 28 AWG Crimp : 32, 36 AWG : 1A Other : 3A | -55 to +85°C (Note 1) | -10 to +60°C (Note 2) |
| | Voltage rating : | Operating Moisture Range : | Storage Humidity Range : |
| | 200V | 40 to 80% | 40 to 70% (Note 2) |

| Item | Specification | Condition |
|----------------------------------|---|---|
| 1. Insulation Resistance | 1000MΩ min. | 500V DC |
| 2. Withstanding voltage | No flashover or insulation breakdown. | 650V AC/1 minute |
| 3. Contact Resistance | 15mΩ max. | 0.1A |
| 4. Vibration | No electrical discontinuity of 1μs or more | Frequency : 10 to 55 Hz, single amplitude of 0.75 mm, 2 hours in each of the 3 directions. |
| 5. Humidity (Steady state) | Insulation resistance : 1000MΩ min. | 96 hours at temperature of 40°C and humidity of 90% to 95% |
| 6. Temperature Cycle | No damage, cracks, or parts looseness. | (-55°C : 30 minutes → 15 to 35°C : 5 minutes max. 125°C : 30 minutes → 15 to 35°C : 5 minutes max.) 5 cycles |
| 7. Durability (Mating/un-mating) | Contact resistance : 15mΩ max. | 500 cycles |
| 8. Resistance to Soldering heat | No deformation of components affecting performance. | Solder bath : 260°C for 10 seconds |
| | | Manual soldering : 360°C for 5 seconds |

Note 1 : Includes temperature rise caused by current flow.

Note 2 : The term "storage" refers to products stored for long period of time prior to mounting and use. Operating Temperature Range and Humidity range covers non conducting condition of installed connectors in storage, shipment or during transportation.

Note 3 : Information contained in this catalog represents general requirements for this Series. Contact us for the drawings and specifications for a specific part number shown.

Note 4 : Please note that there is a risk of deforming the lock when an excessive load is applied to the inside.

■ Material / Finish

| Part | Material | Finish | | Remarks |
|--------------------|------------------|-----------------------|-------------|---------|
| Insulator | PBT | Black | | UL94V-0 |
| Socket Contact | Beryllium copper | Connection area | Gold plated | ———— |
| Pin header contact | Brass | Selective Gold plated | | ———— |

■ Product Number Structure

Refer to the chart below when determining the product specifications from the product number.
Please select from the product numbers listed in this catalog when placing orders.

● Socket

HIF **3B** - ***** **D** - **2.54** **R**
 ① ② ③ ④ ⑤ ⑥

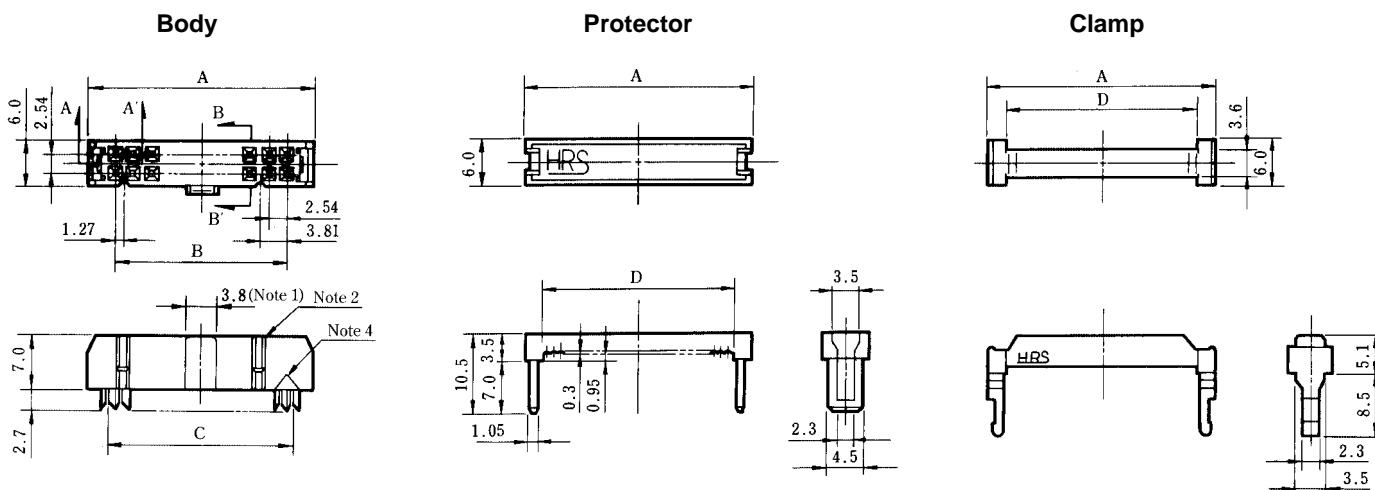
| | |
|----------------------|---|
| ① Series Name | : HIF |
| ② Series No. | : 3B, 3BA, 3BB (50, 60, 64 contacts only) |
| ③ Number of contacts | : 6, 10, 14, 16, 20, 26, 30, 34, 40, 50, 60, 64 |
| ④ Contact alignment | : D : Double |
| ⑤ Contact pitch | : 2.54mm |
| ⑥ Connection type | R : ID type |

● Pin Header

HIF **3B** - ***** **P** **A** - **2.54** **DS**
 ① ② ③ ④ ⑤ ⑥ ⑦

| | |
|----------------------|---|
| ① Series Name | : HIF |
| ② Series No. | : 3B : (14 contacts not included) 3BC : (10 contacts only) 3BA, 3BB : (50, 60, 64 contacts only) 3BD : (10 contacts only) |
| ③ Number of contacts | : 6, 10, 14, 16, 20, 26, 30, 34, 40, 50, 60, 64 |
| ④ P | : Pin header |
| ⑤ A | : Selective gold plated |
| ⑥ Contact pitch | : 2.54mm |
| ⑦ Contact style | DS : Right angle type DSA : Straight type |

■ Socket (With guide to prevent mis-insertion)



Note1, Note2 : The number of polarizing keys and polarizing keyways changes according to products. Refer to the list as shown below.
 Note3 : The 50, 60 and 64 contact connector contain two types of polarizing guides. Use the products, referring to Notes 1 and 2.
 Note4 : The 6 contact has no polarizing mark.

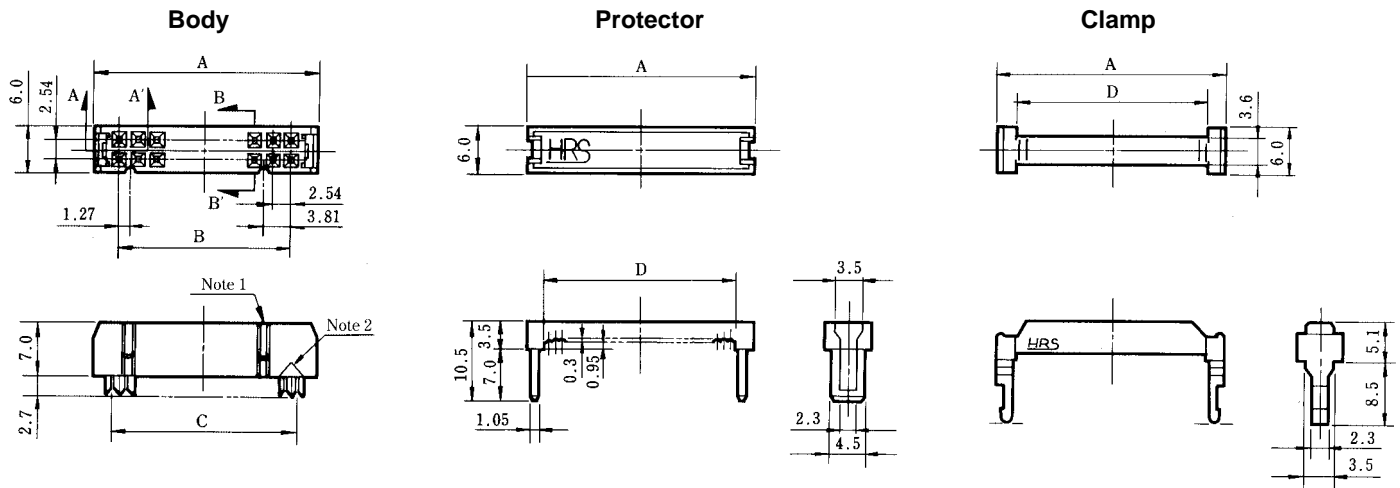
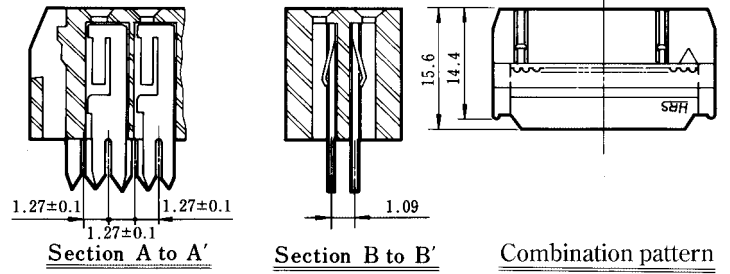
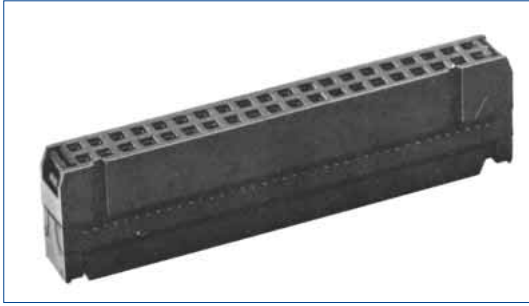
Unit : mm

| Part No. | HRS No. | No. of Contacts | A | B | C | D | Polarizing Guide (Note 1) | Polarizing Keyway (Note 2) | RoHS | |
|------------------------|---------------|-----------------|-------|-------|-------|-------|------------------------------------|------------------------------------|------|------------------------------------|
| HIF3BA- 6D-2.54R(63) | 610-0032-3 63 | 6 | 12.19 | 5.08 | 6.35 | 7.72 | One at center | None | YES | |
| HIF3BA-10D-2.54R(63) | 610-0021-7 63 | 10 | 17.27 | 10.16 | 11.43 | 12.8 | | One on left side | | |
| ★ HIF3BA-14D-2.54R(63) | 610-0022-0 63 | 14 | 22.35 | 15.24 | 16.51 | 17.88 | | One on right and left sides, resp. | | |
| ★ HIF3BA-16D-2.54R(63) | 610-0023-2 63 | 16 | 24.89 | 17.78 | 19.05 | 20.42 | | | | |
| ★ HIF3BA-20D-2.54R(63) | 610-0024-5 63 | 20 | 29.97 | 22.86 | 24.13 | 25.5 | | | | |
| ★ HIF3BA-26D-2.54R(63) | 610-0025-8 63 | 26 | 37.59 | 30.48 | 31.75 | 33.12 | | | | |
| ★ HIF3BA-30D-2.54R(63) | 610-0026-0 63 | 30 | 42.67 | 35.56 | 36.83 | 38.2 | | | | |
| ★ HIF3BA-34D-2.54R(63) | 610-0027-3 63 | 34 | 47.75 | 40.64 | 41.91 | 43.28 | | | | |
| ★ HIF3BA-40D-2.54R(63) | 610-0028-6 63 | 40 | 55.37 | 48.26 | 49.53 | 50.9 | | | | |
| ★ HIF3BA-50D-2.54R(63) | 610-0029-9 63 | 50 | 68.07 | 60.96 | 62.23 | 63.6 | | | | One on right and left sides, resp. |
| ★ HIF3BB-50D-2.54R(63) | 610-0041-4 63 | 50 | 68.07 | 60.96 | 62.23 | 63.6 | | | | One at center |
| ★ HIF3BA-60D-2.54R(63) | 610-0030-8 63 | 60 | 80.77 | 73.66 | 74.93 | 76.3 | | | | One on right and left sides, resp. |
| ★ HIF3BB-60D-2.54R(63) | 610-0042-7 63 | 60 | 80.77 | 73.66 | 74.93 | 76.3 | One at center | | | |
| ★ HIF3BA-64D-2.54R(63) | 610-0031-0 63 | 64 | 85.85 | 78.74 | 80.01 | 81.38 | One on right and left sides, resp. | | | |
| ★ HIF3BB-64D-2.54R(63) | 610-0043-0 63 | 64 | 85.85 | 78.74 | 80.01 | 81.38 | One at center | | | |

The products marked with ★ comply with MIL standard.

Dec.1.2021 Copyright 2021 HIROSE ELECTRIC CO., LTD. All Rights Reserved.

Socket



Note 1 : The number of polarizing keys and polarizing keyways changes according to products. For details, refer to the list as shown below.
 Note 2 : The 6 contact has no polarizing mark.

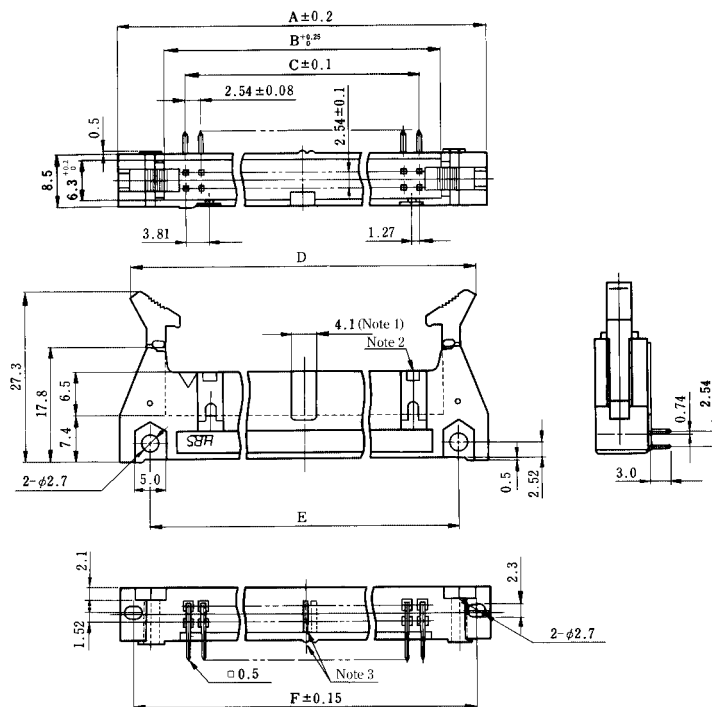
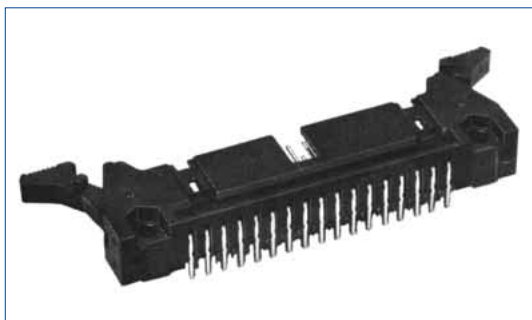
Unit : mm

| Part No. | HRS No. | No. of Contacts | A | B | C | D | Polarizing Guide (Note 1) | RoHS |
|-----------------------|---------------|-----------------|-------|-------|-------|-------|---------------------------|------|
| HIF3B- 6D-2.54R(63) | 610-0012-6 63 | 6 | 12.19 | 5.08 | 6.35 | 7.72 | None | YES |
| ★ HIF3B-10D-2.54R(63) | 610-0001-0 63 | 10 | 17.27 | 10.16 | 11.43 | 12.80 | One on left side | |
| ★ HIF3B-14D-2.54R(63) | 610-0002-2 63 | 14 | 22.35 | 15.24 | 16.51 | 17.88 | | |
| ★ HIF3B-16D-2.54R(63) | 610-0003-5 63 | 16 | 24.89 | 17.78 | 19.05 | 20.42 | | |
| ★ HIF3B-20D-2.54R(63) | 610-0004-8 63 | 20 | 29.97 | 22.86 | 24.13 | 25.50 | | |
| ★ HIF3B-26D-2.54R(63) | 610-0005-0 63 | 26 | 37.59 | 30.48 | 31.75 | 33.12 | | |
| ★ HIF3B-30D-2.54R(63) | 610-0006-3 63 | 30 | 42.67 | 35.56 | 36.83 | 38.2 | | |
| ★ HIF3B-34D-2.54R(63) | 610-0007-6 63 | 34 | 47.75 | 40.64 | 41.91 | 43.28 | | |
| ★ HIF3B-40D-2.54R(63) | 610-0008-9 63 | 40 | 55.37 | 48.26 | 49.53 | 50.90 | | |
| ★ HIF3B-50D-2.54R(63) | 610-0009-1 63 | 50 | 68.07 | 60.96 | 62.23 | 63.6 | | |
| ★ HIF3B-60D-2.54R(63) | 610-0010-0 63 | 60 | 80.77 | 73.66 | 74.93 | 76.3 | | |
| ★ HIF3B-64D-2.54R(63) | 610-0011-3 63 | 64 | 85.85 | 78.74 | 80.01 | 81.38 | | |

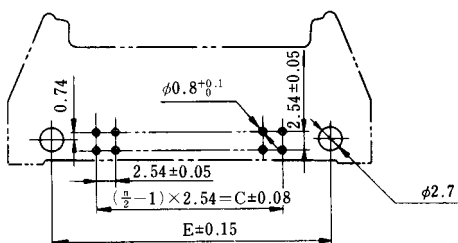
The products marked with ★ comply with MIL standard.

Dec.1.2021 Copyright 2021 HIROSE ELECTRIC CO., LTD. All Rights Reserved.

Four Wall Angle Through hole



PCB mounting pattern



n=number of contacts

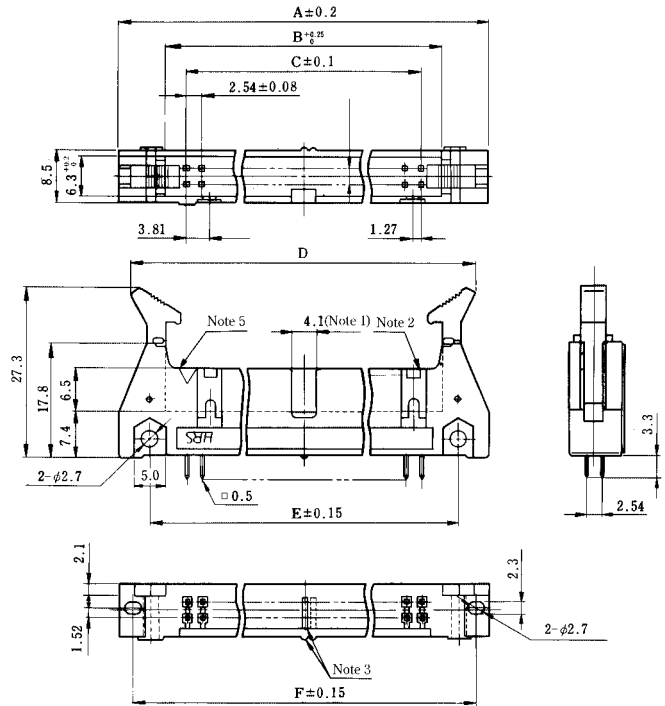
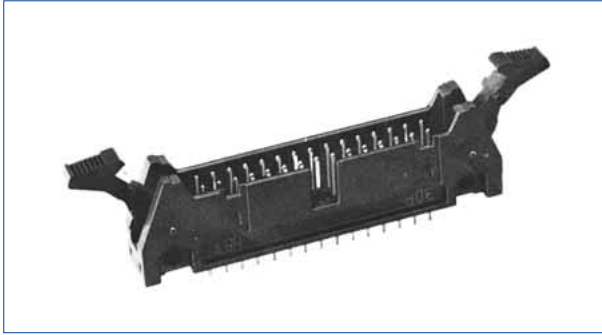
- Note 1, Note 2 : The number of polarizing slot and key installed positions changes according to products. Refer to the list as shown below.
- Note 3 : The spacer moves to the right according to the number of contacts.
- Note 4 : The 10, 50, 60 and 64 contact connectors contain two types of polarizing slots.
Use products, referring to (Note 1) (Note 2).

Unit : mm

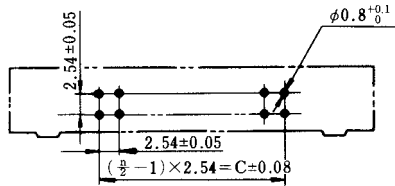
| Part No. | HRS No. | No. of Contacts | A | B | C | D | E | F | Polarizing Slot (Note 1) | Polarizing Key Install (Note 2) | RoHS |
|--------------------------|---------------|-----------------|-------|------|-------|-------------------|------|------|------------------------------------|------------------------------------|------|
| ★ HIF3BA-10PA-2.54DS(63) | 610-0091-2 63 | 10 | 32.0 | 17.5 | 10.16 | 28.14 MAX51.1 | 21.8 | 27.9 | None | One on right side | YES |
| HIF3BD-10PA-2.54DS(63) | 610-0171-0 63 | 10 | 32.0 | 17.5 | 10.16 | 28.14 MAX51.1 | 21.8 | 27.9 | None | None | |
| ★ HIF3BA-14PA-2.54DS(63) | 610-0092-5 63 | 14 | 37.1 | 22.6 | 15.24 | 33.24 MAX56.2 | 26.9 | 33.0 | One at center | One on right side | |
| ★ HIF3BA-16PA-2.54DS(63) | 610-0093-8 63 | 16 | 39.6 | 25.1 | 17.78 | 35.74 MAX58.7 | 29.5 | 35.5 | | | |
| ★ HIF3BA-20PA-2.54DS(63) | 610-0094-0 63 | 20 | 44.7 | 30.2 | 22.86 | 40.84 MAX63.8 | 34.5 | 40.6 | | | |
| ★ HIF3BA-26PA-2.54DS(63) | 610-0095-3 63 | 26 | 52.3 | 37.8 | 30.48 | 48.44 MAX71.4 | 42.2 | 48.3 | | | |
| ★ HIF3BA-30PA-2.54DS(63) | 610-0096-6 63 | 30 | 57.4 | 42.9 | 35.56 | 53.54 MAX76.5 | 47.2 | 53.3 | | | |
| ★ HIF3BA-34PA-2.54DS(63) | 610-0097-9 63 | 34 | 62.5 | 48.0 | 40.64 | 58.64 MAX81.6 | 52.3 | 58.4 | | | |
| ★ HIF3BA-40PA-2.54DS(63) | 610-0098-1 63 | 40 | 70.1 | 55.6 | 48.26 | 66.24 MAX89.2 | 59.9 | 66.0 | | | |
| ★ HIF3BA-50PA-2.54DS(63) | 610-0099-4 63 | 50 | 82.8 | 68.3 | 60.96 | 78.94 MAX101.9 | 72.6 | 78.7 | | One on right and left sides, resp. | |
| ★ HIF3BB-50PA-2.54DS(63) | 610-0131-5 63 | 50 | 82.8 | 68.3 | 60.96 | 78.94 MAX101.9 | 72.6 | 78.7 | One at center | | |
| ★ HIF3BA-60PA-2.54DS(63) | 610-0100-1 63 | 60 | 95.5 | 81.0 | 73.66 | 91.64 MAX114.6 | 85.3 | 91.4 | One on right and left sides, resp. | | |
| ★ HIF3BB-60PA-2.54DS(63) | 610-0132-8 63 | 60 | 95.5 | 81.0 | 73.66 | 91.64 MAX114.6 | 85.3 | 91.4 | One at center | | |
| ★ HIF3BA-64PA-2.54DS(63) | 610-0101-4 63 | 64 | 100.6 | 86.1 | 78.74 | 96.74 MAX119.7 | 90.4 | 96.5 | One on right and left sides, resp. | | |
| ★ HIF3BB-64PA-2.54DS(63) | 610-0133-0 63 | 64 | 100.6 | 86.1 | 78.74 | 96.74 MAX119.7 | 90.4 | 96.5 | One at center | | |

The products marked with ★ comply with MIL standard.

Four-Wall Straight Through hole



PCB mounting pattern



n=number of contacts

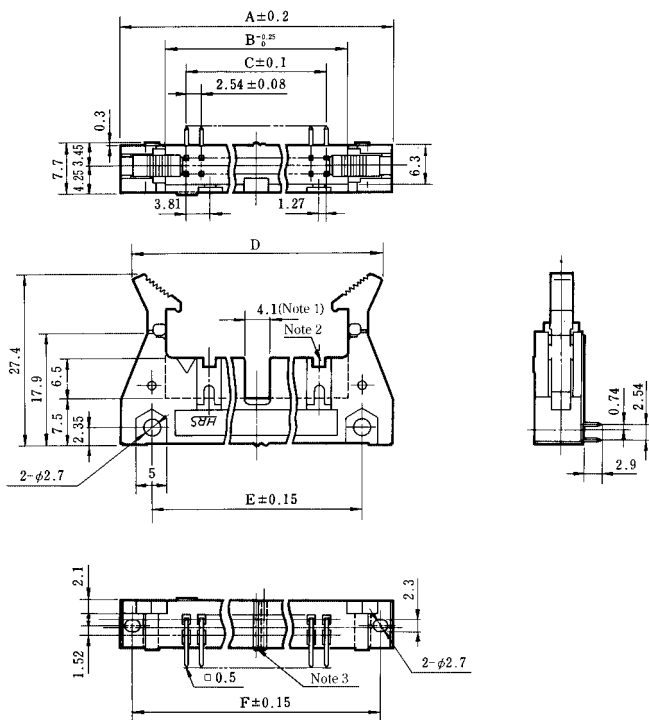
- Note 1, Note 2 : The number of polarizing slot and key installed positions changes according to products. Refer to the list as shown below.
- Note 3 : The spacer moves to the right according to the number of contacts.
- Note 4 : The 10, 50, 60 and 64 contact connectors contain two types of polarizing slots.
Use products, confirming (Note 1) (Note 2).
- Note 5 : The 6 contact has no polarity mark.

Unit : mm

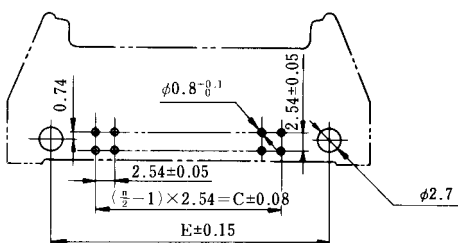
| Part No. | HRS No. | No. of Contacts | A | B | C | D | E | F | Polarizing Slot (Note 1) | Polarizing Key Install (Note 2) | RoHS |
|---------------------------|---------------|-----------------|-------|-------|-------|-------------------|------|-------|------------------------------------|------------------------------------|------|
| ★ HIF3-6PA-2.54DSA(71) | 562-0503-9 71 | 6 | 26.92 | 12.42 | 5.08 | 23.06 MAX46.02 | 16.7 | 22.82 | One at center | None | YES |
| HIF3BA-10PA-2.54DSA(63) | 610-0111-8 63 | 10 | 32.0 | 17.5 | 10.16 | 28.14 MAX51.1 | 21.8 | 27.9 | None | One on right side | |
| ★ HIF3BD-10PA-2.54DSA(63) | 610-0181-3 63 | 10 | 32.0 | 17.5 | 10.16 | 28.14 MAX51.1 | 21.8 | 27.9 | None | None | |
| ★ HIF3BA-14PA-2.54DSA(63) | 610-0112-0 63 | 14 | 37.1 | 22.6 | 15.24 | 33.24 MAX56.2 | 26.9 | 33.0 | One at center | One on right side | |
| ★ HIF3BA-16PA-2.54DSA(63) | 610-0113-3 63 | 16 | 39.6 | 25.1 | 17.78 | 35.74 MAX58.7 | 29.5 | 35.5 | | One on right and left sides, resp. | |
| ★ HIF3BA-20PA-2.54DSA(63) | 610-0114-6 63 | 20 | 44.7 | 30.2 | 22.86 | 40.84 MAX63.8 | 34.5 | 40.6 | | | |
| ★ HIF3BA-26PA-2.54DSA(63) | 610-0115-9 63 | 26 | 52.3 | 37.8 | 30.48 | 48.44 MAX71.4 | 42.2 | 48.3 | | | |
| ★ HIF3BA-30PA-2.54DSA(63) | 610-0116-1 63 | 30 | 57.4 | 42.9 | 35.56 | 53.54 MAX76.5 | 47.2 | 53.3 | One on right and left sides, resp. | | |
| ★ HIF3BA-34PA-2.54DSA(63) | 610-0117-4 63 | 34 | 62.5 | 48.0 | 40.64 | 58.64 MAX81.6 | 52.3 | 58.4 | | | |
| ★ HIF3BA-40PA-2.54DSA(63) | 610-0118-7 63 | 40 | 70.1 | 55.6 | 48.26 | 66.24 MAX89.2 | 59.9 | 66.0 | One at center | | |
| ★ HIF3BA-50PA-2.54DSA(63) | 610-0119-0 63 | 50 | 82.8 | 68.3 | 60.96 | 78.94 MAX101.9 | 72.6 | 78.7 | | | |
| ★ HIF3BB-50PA-2.54DSA(63) | 610-0141-9 63 | 50 | 82.8 | 68.3 | 60.96 | 78.94 MAX101.9 | 72.6 | 78.7 | One at center | One on right and left sides, resp. | |
| ★ HIF3BA-60PA-2.54DSA(63) | 610-0120-9 63 | 60 | 95.5 | 81.0 | 73.66 | 91.64 MAX114.6 | 85.3 | 91.4 | One on right and left sides, resp. | | |
| ★ HIF3BB-60PA-2.54DSA(63) | 610-0142-1 63 | 60 | 95.5 | 81.0 | 73.66 | 91.64 MAX114.6 | 85.3 | 91.4 | One at center | | |
| ★ HIF3BA-64PA-2.54DSA(63) | 610-0121-1 63 | 64 | 100.6 | 86.1 | 78.74 | 96.74 MAX119.7 | 90.4 | 96.5 | One on right and left sides, resp. | | |
| ★ HIF3BB-64PA-2.54DSA(63) | 610-0143-4 63 | 64 | 100.6 | 86.1 | 78.74 | 96.74 MAX119.7 | 90.4 | 96.5 | One at center | | |

The products marked with ★ comply with MIL standard.

Three Wall Angle Type



PCB mounting pattern



■ n=number of contacts

Note 1, Note 2 : The number of polarizing slot and key installed positions changes according to products. Refer to the list as shown below.
 Note 3 : The spacer moves according to the number of contacts.
 Note 4 : The 10 contact connector consists of two types.
 Use products, confirming (Note 1) (Note 2).

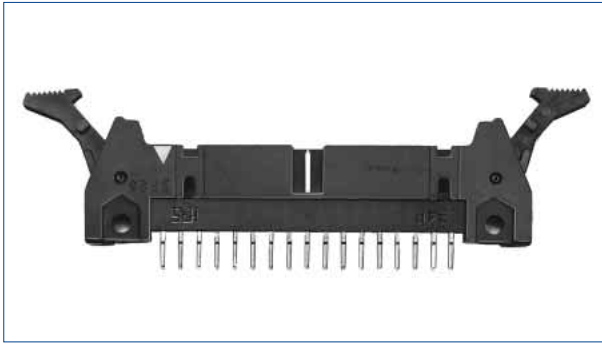
Unit : mm

| Part No. | HRS No. | No. of Contacts | A | B | C | D | E | F | Polarizing Slot (Note 1) | Polarizing Key Install (Note 2) | RoHS |
|--------------------------|---------------|-----------------|-------|------|-------|-------------------|------|------|--------------------------|------------------------------------|------|
| ★ HIF3B -10PA-2.54DS(63) | 610-0051-8 63 | 10 | 32.0 | 17.5 | 10.16 | 28.14 MAX51.1 | 21.8 | 27.9 | None | One on right side | YES |
| HIF3BC-10PA-2.54DS(63) | 610-0151-2 63 | 10 | 32.0 | 17.5 | 10.16 | 28.14 MAX51.1 | 21.8 | 27.9 | None | None | |
| ★ HIF3B -16PA-2.54DS(63) | 610-0052-0 63 | 16 | 39.6 | 25.1 | 17.78 | 35.74 MAX58.7 | 29.5 | 35.5 | One at center | One on right and left sides, resp. | |
| ★ HIF3B -20PA-2.54DS(63) | 610-0053-3 63 | 20 | 44.7 | 30.2 | 22.86 | 40.84 MAX63.8 | 34.5 | 40.6 | | | |
| ★ HIF3B -26PA-2.54DS(63) | 610-0054-6 63 | 26 | 52.3 | 37.8 | 30.48 | 48.44 MAX71.4 | 42.2 | 48.3 | | | |
| ★ HIF3B -30PA-2.54DS(63) | 610-0055-9 63 | 30 | 57.4 | 42.9 | 35.56 | 53.54 MAX76.5 | 47.2 | 53.3 | | | |
| ★ HIF3B -34PA-2.54DS(63) | 610-0056-1 63 | 34 | 62.5 | 48.0 | 40.64 | 58.64 MAX81.6 | 52.3 | 58.4 | | | |
| ★ HIF3B -40PA-2.54DS(63) | 610-0057-4 63 | 40 | 70.1 | 55.6 | 48.26 | 66.24 MAX89.2 | 59.9 | 66.0 | | | |
| ★ HIF3B -50PA-2.54DS(63) | 610-0058-7 63 | 50 | 82.8 | 68.3 | 60.96 | 78.94 MAX101.9 | 72.6 | 78.7 | | | |
| ★ HIF3B -60PA-2.54DS(63) | 610-0059-0 63 | 60 | 95.5 | 81.0 | 73.66 | 91.64 MAX114.6 | 85.3 | 91.4 | | | |
| ★ HIF3B -64PA-2.54DS(63) | 610-0060-9 63 | 64 | 100.6 | 86.1 | 78.74 | 96.74 MAX119.7 | 90.4 | 96.5 | | | |

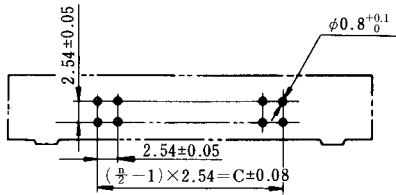
The products marked with ★ comply with MIL standard.

Four Wall Straight Through hole

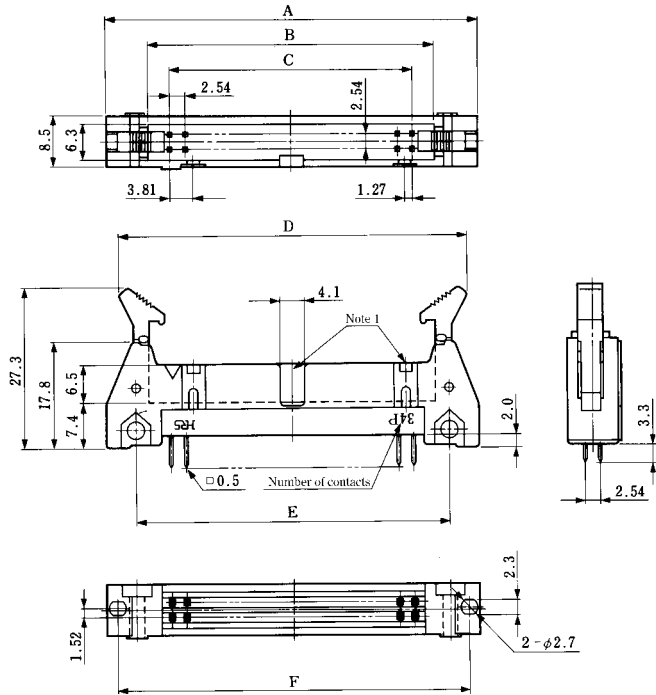
[Flux Blister Prevention Type]



PCB mounting pattern



n=number of contacts



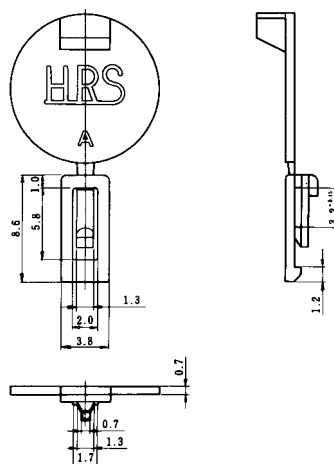
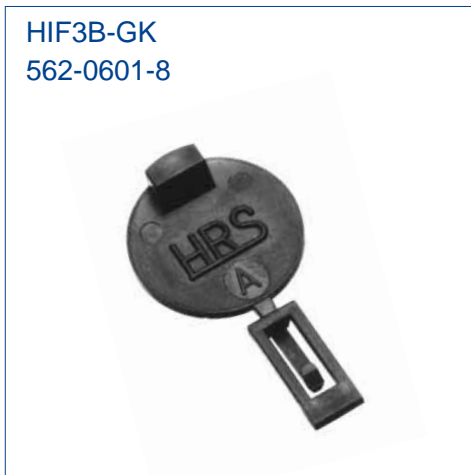
Note1 : The number of polarizing slot and key installed positions changes according to products. Refer to the list as shown below.

Unit : mm

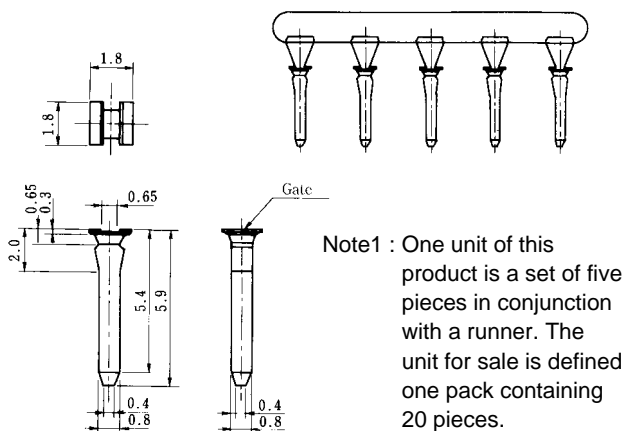
| Part No. | HRS No. | No. of Contacts | A | B | C | D | E | F | Polarizing Slot | Polarizing Key Install | RoHS | |
|---------------------------|---------------|-----------------|-------|------|-------|-------------------|------|------|-----------------|------------------------------------|------|------------------------------------|
| ★ HIF3CA-10PA-2.54DSA(63) | 610-0701-1 63 | 10 | 32.0 | 17.5 | 10.16 | 28.14 MAX51.1 | 21.8 | 27.9 | None | One on right side | YES | |
| HIF3CD-10PA-2.54DSA(63) | 610-0722-1 63 | 10 | 32.0 | 17.5 | 10.16 | 28.14 MAX51.1 | 21.8 | 27.9 | | None | | |
| ★ HIF3CA-16PA-2.54DSA(63) | 610-0703-7 63 | 16 | 39.6 | 25.1 | 17.78 | 35.74 MAX58.7 | 29.5 | 35.5 | One at center | One on right and left sides, resp. | | |
| ★ HIF3CA-20PA-2.54DSA(63) | 610-0704-0 63 | 20 | 44.7 | 30.2 | 22.86 | 40.84 MAX63.8 | 34.5 | 40.6 | | | | |
| ★ HIF3CA-26PA-2.54DSA(63) | 610-0705-2 63 | 26 | 52.3 | 37.8 | 30.48 | 48.44 MAX71.4 | 42.2 | 48.3 | | | | |
| ★ HIF3CA-30PA-2.54DSA(63) | 610-0706-5 63 | 30 | 57.4 | 42.9 | 35.56 | 53.54 MAX76.5 | 47.2 | 53.3 | | | | |
| ★ HIF3CA-34PA-2.54DSA(63) | 610-0707-8 63 | 34 | 62.5 | 48.0 | 40.64 | 58.64 MAX81.6 | 52.3 | 58.4 | | | | |
| ★ HIF3CA-40PA-2.54DSA(63) | 610-0708-0 63 | 40 | 70.1 | 55.6 | 48.26 | 66.24 MAX89.2 | 59.9 | 66.0 | | | | |
| ★ HIF3CA-50PA-2.54DSA(63) | 610-0709-3 63 | 50 | 82.8 | 68.3 | 60.96 | 78.94 MAX101.9 | 72.6 | 78.7 | | | | One on right and left sides, resp. |
| ★ HIF3CB-50PA-2.54DSA(63) | 610-0721-9 63 | 50 | 82.8 | 68.3 | 60.96 | 78.94 MAX101.9 | 72.6 | 78.7 | | | | One at center |
| ★ HIF3CB-60PA-2.54DSA(63) | 610-0723-4 63 | 60 | 95.5 | 81.0 | 73.66 | 91.64 MAX114.6 | 85.3 | 91.4 | | | | |
| ★ HIF3CB-64PA-2.54DSA(63) | 610-0724-7 63 | 64 | 100.6 | 86.1 | 78.74 | 96.74 MAX119.7 | 90.4 | 96.5 | | | | |

The products marked with ★ comply with MIL standard.

◆ Polarizing Key



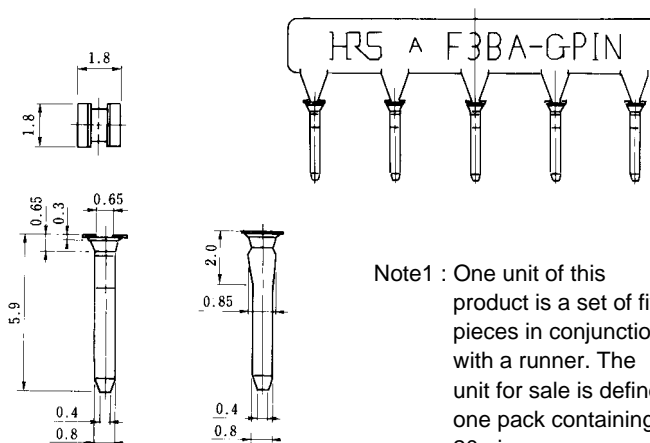
HIF3-GPIN(A)



Note1 : One unit of this product is a set of five pieces in conjunction with a runner. The unit for sale is defined one pack containing 20 pieces.

Note2 : This product is applicable to HIF3A-*D2.54R, HIF3C-*D2.54C and HIF3BA-*D2.54C products.

HIF3BA-GPIN



Note1 : One unit of this product is a set of five pieces in conjunction with a runner. The unit for sale is defined one pack containing 20 pieces.

Note2 : This product is applicable to the HIF3BA-*D2.54R product.

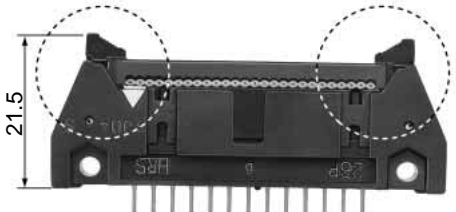
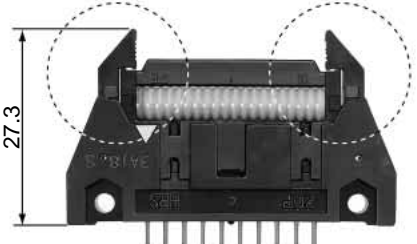
| Part No. | HRS No. | Material | Remarks | RoHS |
|--------------|------------|---------------------|-------------------|------|
| HIF3-GPIN(A) | 562-0126-6 | Poly acetal (white) | A set of 5 pieces | YES |

| Part No. | HRS No. | Material | Remarks | RoHS |
|-------------|------------|---------------------|-------------------|------|
| HIF3BA-GPIN | 612-0500-2 | Poly acetal (white) | A set of 5 pieces | YES |

◆Lock

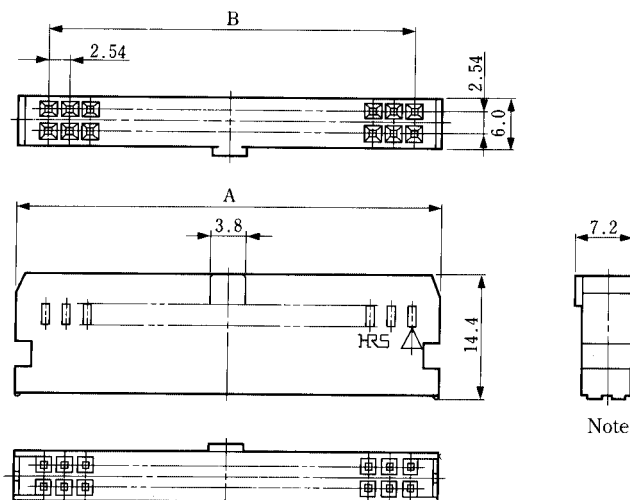
●Low Profile Lock Pin Header

●F Type Lock Pin Header

| Lock G | Lock F |
|---|---|
| <p data-bbox="235 300 708 327">Part Number : HIF3BAG-**PA-2.54DSA(63)</p>  <p data-bbox="167 608 751 753"> ●Low profile type, and used for lock ejection. Connector height is reduced. Since no connector clamp is needed on the cable side, this is used without turning back on the cable side. Take care about this point. </p> | <p data-bbox="915 300 1388 327">Part Number : HIF3BAG-**PA-2.54DSA(63)</p>  <p data-bbox="846 608 1456 753"> ●Locking range more reduced than conventional lock type. Even if connectors are aligned laterally, the mounting space is reduced. Note : The clamp must be replaced for HIF3A socket type 60 contacts only. Take care about this point. </p> |

Dec.1.2021 Copyright 2021 HIROSE ELECTRIC CO., LTD. All Rights Reserved.

■ Socket for Crimping

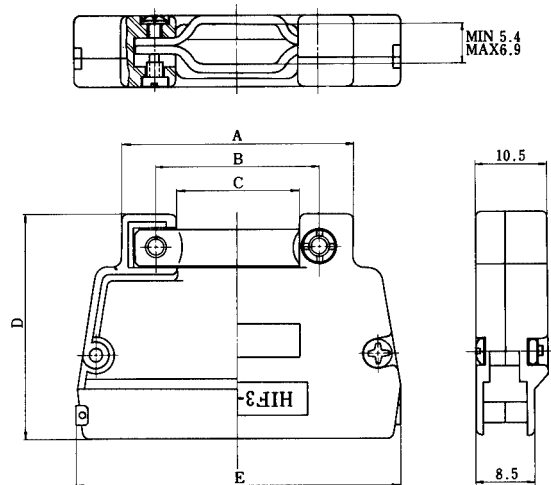


Unit : mm

| Part No. | HRS No. | No. of Contacts | A | B | Polarizing Guide | RoHS |
|----------------------|---------------|-----------------|-------|-------|--------------------------------|------|
| HIF3BA-10D-2.54C(63) | 610-1041-0 63 | 10 | 17.25 | 10.16 | One at center | YES |
| HIF3BA-14D-2.54C(63) | 610-1051-3 63 | 14 | 22.35 | 15.24 | | |
| HIF3BA-16D-2.54C(63) | 610-1042-2 63 | 16 | 24.8 | 17.78 | | |
| HIF3BA-20D-2.54C(63) | 610-1043-5 63 | 20 | 29.95 | 22.86 | | |
| HIF3BA-26D-2.54C(63) | 610-1044-8 63 | 26 | 37.55 | 30.48 | | |
| HIF3BA-30D-2.54C(63) | 610-1045-0 63 | 30 | 42.63 | 35.56 | | |
| HIF3BA-34D-2.54C(63) | 610-1046-3 63 | 34 | 47.75 | 40.64 | | |
| HIF3BA-40D-2.54C(63) | 610-1047-6 63 | 40 | 55.35 | 48.26 | One right and left side, resp. | |
| HIF3BA-50D-2.54C(63) | 610-1048-9 63 | 50 | 68.04 | 60.96 | | |
| HIF3BB-50D-2.54C(63) | 610-1061-7 63 | | | | One right and left side, resp. | |
| HIF3BA-60D-2.54C(63) | 610-1049-1 63 | 60 | 80.77 | 73.66 | One at center | |
| HIF3BB-60D-2.54C(63) | 610-1062-0 63 | | | | One right and left side, resp. | |
| HIF3BA-64D-2.54C(63) | 610-1064-5 63 | 64 | 85.85 | 78.74 | One at center | |
| HIF3BB-64D-2.54C(63) | 610-1063-2 63 | | | | One right and left side, resp. | |

Note : Some variations may differ from those in above figures.

■ Cover Case for Crimping socket



Unit : mm

| Part No. | HRS No. | No. of Contacts | A | B | C | D | E | RoHS |
|---------------|---------------|-----------------|------|------|------|------|-------|------|
| HIF3-20CV(72) | 562-0201-0 72 | 20 | 24.5 | 18.0 | 12.0 | 30.5 | 29.95 | YES |
| HIF3-26CV(72) | 562-0202-2 72 | 26 | 30.2 | 20.0 | 14.0 | 32.0 | 37.55 | |
| HIF3-30CV(72) | 562-0203-5 72 | 30 | 32.2 | 22.0 | 16.0 | 33.0 | 42.63 | |
| HIF3-34CV(72) | 562-0204-8 72 | 34 | 34.2 | 24.0 | 18.0 | 33.5 | 47.75 | |
| HIF3-40CV(72) | 562-0205-0 72 | 40 | 36.2 | 26.0 | 20.0 | 35.5 | 55.35 | |
| HIF3-50CV(72) | 562-0206-3 72 | 50 | 39.2 | 29.0 | 23.0 | 38.0 | 68.04 | |
| HIF3-60CV(72) | 562-0207-6 72 | 60 | 42.2 | 32.0 | 26.0 | 40.5 | 80.77 | |

Note 1 : The type F lock pin header cannot be used for a mating member.

Note 2 : Note that the product cannot be used with AWG #20.

Applicable jacket diameters are as described below.

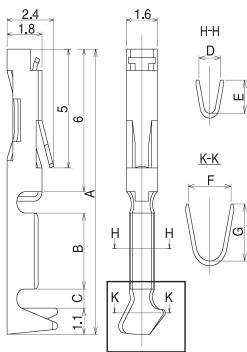
20 contacts : 1.7mm diameter MAX

26 to 40 contacts : 1.6mm diameter MAX

50 to 60 contacts : 1.4mm diameter MAX

◆ Contact (Crimping Contact for Socket)

● Loose Piece Contact



*Termination of crimp terminals requires a special tool.
*Please contact a Hirose representative if using non-applicable wires.

Unit : mm

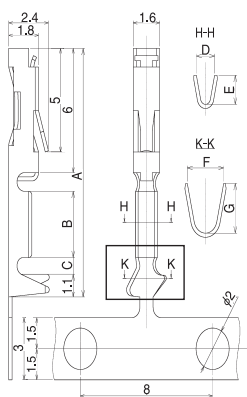
| Part No. | HRS No. | A | B | C | D | E | F | G | Remarks |
|--------------|------------|------|-----|-----|-----|-----|-------------------|------|-----------------------|
| HIF3-2022SC | 562-0492-4 | 11.5 | 2.5 | 1 | 1.6 | 1.5 | 2.2 | 2.4 | Fully Gold Plated |
| HIF3-2226SC | 562-0079-8 | 12 | 3.2 | 0.8 | 1.1 | 1.4 | | | Partially Gold Plated |
| HIF3-2226SCA | 562-0244-2 | | | | | | Fully Gold Plated | | |
| HIF3-2428SC | 562-0124-0 | | | | 1 | 1.2 | 2 | 2.25 | Partially Gold Plated |
| HIF3-2428SCA | 562-0246-8 | | | | | | | | |

Unit : mm

| Part No. | Manual Crimping Tool | HRS No. | Applicable Wire | | | | RoHS |
|--------------|----------------------|------------|----------------------|-----|--------------------|-----------------|------|
| | | | STYLE No | AWG | Wire Configuration | Jacket Diameter | |
| HIF3-2022SC | HIF3-TA2022HC | 550-0124-0 | UL1007 Stranded Wire | 20 | 21 pieces / 0.18 | φ1.8 | ○ |
| | | | | 22 | 17 pieces / 0.16 | φ1.6 | |
| HIF3-2226SC | HIF3-T2226HC | 550-0063-8 | UL1007 Stranded Wire | 22 | 17 pieces / 0.16 | φ1.6 | |
| | | | | 24 | 11 pieces / 0.16 | φ1.5 | |
| HIF3-2226SCA | | | | 26 | 7 pieces / 0.16 | φ1.3 | |
| | | | | 24 | 11 pieces / 0.16 | φ1.5 | |
| HIF3-2428SC | HIF3-TA2428HC | 550-0100-2 | UL1007 Stranded Wire | 26 | 7 pieces / 0.16 | φ1.3 | |
| | | | | 28 | 7 pieces / 0.127 | φ1.2 | |

Note 1 : Perform crimping operation based on the handling manual. Contact a Hirose Representative for the manual crimping tool handling manual.
Note 2 : Issues with non-Hirose specified tools are outside the scope of warranty.
Note 3 : The applicable contacts and wires are limited to those listed in the table.
Note 4 : Only HIF3-2022SC has a different frame shape.

● Reel Contact



Unit : mm

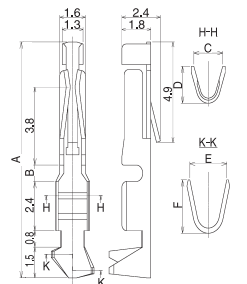
| Part No. | HRS No. | A | B | C | D | E | F | G | Remarks |
|---------------|------------|------|-----|-----|-----|-----|-------------------|------|-----------------------|
| HIF3-2022SCF | 562-0493-7 | 11.5 | 2.5 | 1 | 1.6 | 1.5 | 2.2 | 2.4 | Fully Gold Plated |
| HIF3-2226SCF | 562-0080-7 | 12 | 3.2 | 0.8 | 1.1 | 1.4 | | | Partially Gold Plated |
| HIF3-2226SCFA | 562-0245-5 | | | | | | Fully Gold Plated | | |
| HIF3-2428SCF | 562-0125-3 | | | | 1 | 1.2 | 2 | 2.25 | Partially Gold Plated |
| HIF3-2428SCFA | 562-0247-0 | | | | | | | | |

Unit : mm

| Part No. | Applicator | HRS No. | Applicable Wire | | | | RoHS |
|---------------|----------------------|------------|----------------------|-----|--------------------|-----------------|------|
| | | | STYLE No | AWG | Wire Configuration | Jacket Diameter | |
| HIF3-2022SCF | AP105-HIF3-2022S | 901-4027-9 | UL1007 Stranded Wire | 20 | 26 pieces / 0.16 | φ1.85 | ○ |
| | | | | 22 | 17 pieces / 0.16 | φ1.65 | |
| HIF3-2226SCF | AP105-HIF3-22-28SCF | 901-4031-6 | UL1007 Stranded Wire | 22 | 17 pieces / 0.16 | φ1.65 | |
| | | | | 24 | 11 pieces / 0.16 | φ1.5 | |
| HIF3-2428SCF | | | | 26 | 7 pieces / 0.16 | φ1.3 | |
| | | | | 28 | 7 pieces / 0.127 | φ1.2 | |
| HIF3-2226SCFA | AP105-HIF3-22-28SCFA | 901-4030-3 | UL1007 Stranded Wire | 22 | 17 pieces / 0.16 | φ1.65 | |
| | | | | 24 | 11 pieces / 0.16 | φ1.5 | |
| HIF3-2428SCFA | | | | 26 | 7 pieces / 0.16 | φ1.3 | |
| | | | | 28 | 7 pieces / 0.127 | φ1.2 | |

Note 1 : Use "CM-105C" as semi-automatic crimping machine.
Note 2 : Perform crimping in accordance with the "Crimping Quality Standards" and "Crimping Conditions Table". For the handling manuals on semi-automatic crimping machines or applicators contact a Hirose representative.
Note 3 : Issues with non-Hirose specified tools are outside the scope of warranty.
Note 4 : The applicable contacts and wires are limited to those listed in the table. Contact a Hirose representative regarding wires not listed in the table.
Note 5 : Only HIF3-2022SC has a different frame shape.
Note 6 : By adding or replacing a part of AP105-HIF3-22-28SCF and AP105-HIF3-22-28SCF, one-sided carriers (SCF) and double-sided carriers can be supported. (Requires part replacement.)

● VA Type Loose Piece Contact



Unit : mm

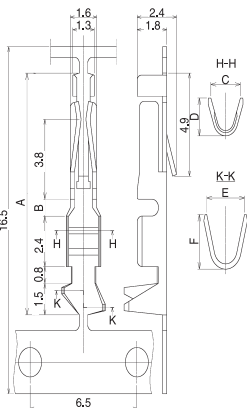
| Part No. | HRS No. | A | B | C | D | E | F | Remarks |
|--------------|------------|------|-----|-----|------|-----|-----|-----------------------|
| HIF3-2226SCC | 613-0004-7 | 11.5 | 0.8 | 1.8 | 1.8 | 2.3 | 2.6 | Partially Gold Plated |
| HIF3-2630SCC | 613-0003-4 | | | 1.4 | 1.35 | 2 | 2.1 | |

Unit : mm

| Part No. | Manual Crimping Tool | HRS No. | Applicable Wire | | | | RoHS |
|--------------|----------------------|------------|----------------------|-----|--------------------|-----------------|------|
| | | | STYLE No | AWG | Wire Configuration | Jacket Diameter | |
| HIF3-2226SCC | HIF3-TB2226HC | 550-0154-1 | UL1007 Stranded Wire | 22 | 17 pieces / 0.16 | φ1.6 | ○ |
| | | | | 24 | 11 pieces / 0.16 | φ1.5 | |
| | | | | 26 | 7 pieces / 0.16 | φ1.3 | |
| HIF3-2630SCC | HIF3-TB2630HC | 550-0155-4 | UL1007 Stranded Wire | 26 | 7 pieces / 0.16 | φ1.3 | |
| | | | | 28 | 7 pieces / 0.127 | φ1.2 | |
| | | | | 30 | 7 pieces / 0.1 | φ1.1 | |

Note 1 : Perform crimping operation based on the handling manual. Contact a Hirose Representative for the manual crimping tool handling manual.
Note 2 : Issues with non-Hirose specified tools are outside the scope of warranty.
Note 3 : The applicable contacts and wires are limited to those listed in the table.

● VA Type Reel Contact



Unit : mm

| Part No. | HRS No. | A | B | C | D | E | F | Remarks |
|----------------|------------|------|-----|-----|------|-----|-----|-----------------------|
| HIF3-2226SCFC | 613-0002-1 | 11.5 | 0.8 | 1.8 | 1.8 | 2.3 | 2.6 | Partially Gold Plated |
| HIF3-2630SCFC | 613-0001-9 | 11.5 | 0.8 | 1.4 | 1.35 | 2 | 2.1 | Partially Gold Plated |
| HIF3A-3236SCFC | 613-0005-0 | 12.4 | 1.7 | 1.1 | 1.1 | 1.4 | 1.5 | Partially Gold Plated |

Unit : mm

| Part No. | Applicator | HRS No. | Applicable Wire | | | | RoHS |
|----------------|---------------------|------------|----------------------|-----|--------------------|-----------------|------|
| | | | STYLE No | AWG | Wire Configuration | Jacket Diameter | |
| HIF3-2226SCFC | AP105-HIF3-2226SCFC | 901-4005-6 | UL1007 Stranded Wire | 22 | 17 pieces / 0.16 | φ1.65 | ○ |
| | | | | 24 | 11 pieces / 0.16 | φ1.5 | |
| | | | | 26 | 7 pieces / 0.16 | φ1.3 | |
| HIF3-2630SCFC | AP105-HIF3-2630SCFC | 901-4006-9 | UL1007 Stranded Wire | 26 | 7 pieces / 0.16 | φ0.98 | |
| | | | | 26 | 7 pieces / 0.16 | φ0.98 | |
| HIF3A-3236SCFC | AP105-HIF3-3236SCFC | 901-4007-1 | | 26 | 7 pieces / 0.16 | φ1.3 | |
| | | | | 28 | 7 pieces / 0.127 | φ1.2 | |
| | | | | 30 | 7 pieces / 0.1 | φ1.15 | |
| | | | | 32 | 7 pieces / 0.08 | | |
| | | | | 36 | 10 pieces / 0.04 | | |

Note 1 : Use "CM-105C" as semi-automatic crimping machine.
Note 2 : Perform crimping in accordance with the "Crimping Quality Standards" and "Crimping Conditions Table". For the handling manuals on semi-automatic crimping machines or applicators contact a Hirose representative.
Note 3 : Issues with non-Hirose specified tools are outside the scope of warranty.
Note 4 : The applicable contacts and wires are limited to those listed in the table. Contact a Hirose representative regarding wires not listed in the table.

Dec.1.2021 Copyright 2021 HIROSE ELECTRIC CO., LTD. All Rights Reserved.

◆Tools

●Crimping Tool



Manual Crimping Tool HIF3-T2226HC

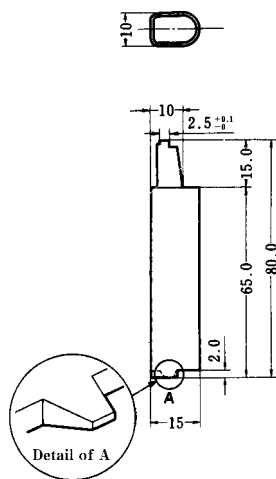
| Part No. | HRS No. |
|--------------|------------|
| HIF3-T2226HC | 550-0063-8 |

●Automatic Crimping Tool (Type : CM-105C)



| Part No. | HRS No. |
|----------|------------|
| CM-105C | 901-0001-0 |

●Contact Extraction Tools



| Part No. | HRS No. |
|----------|------------|
| HIF1-PO | 550-0049-7 |

How to use the extraction tool

(1) How to extract contacts

As shown in Figure 1, where the extraction tool is inserted in the lance fixed slot on the insulated case, slightly pull the cable, and the contact can be removed.

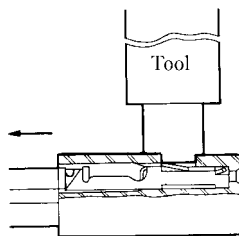


Figure 1

(2) How to adjust the lance (raise)

In order to re-insert the contact removed from the insulated case, raise the contact lance area using the tool A, and re-insert the contact, as shown in Figure 2.

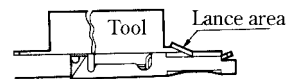


Figure 2

◆Socket Side (Crimping) Assembling Procedures

- (1) As shown in Figure 1, peel the applicable cable (AWG#20 to #26) jacket, and connect it using crimping jig HIF3-TA2022HC, HIF3-TA2226HC, or HIF3-TA2426HC. In this case, insert the cable so as to hit the contact cable stripper position as shown Figure 2.
- (2) After connection as shown Figure 2, check the contact direction, and insert the contact as shown Figures 3 and 4. Slightly pull the cable, and check whether the contact lance position is firmly fixed to the insulation case, as shown in the area (A).

Note1 : For handling procedures for special crimping tools, refer to the "Handling Instruction Manual".

Note2 : Wire strip length : Refer to crimp condition sheet.

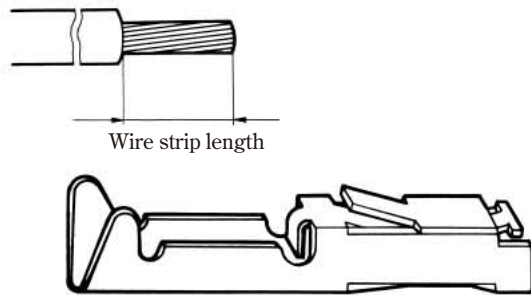


Figure 1

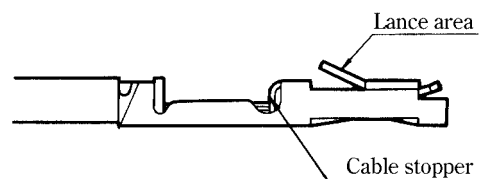


Figure 2

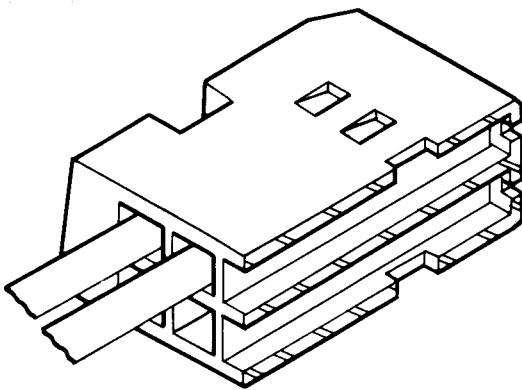


Figure 3

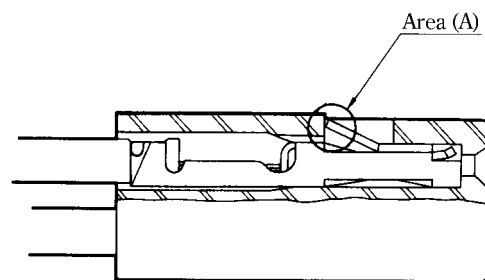


Figure 4

Mouser Electronics

Authorized Distributor

Click to View Pricing, Inventory, Delivery & Lifecycle Information:

Hirose Electric:

[HIF3G-4P-2.54DS](#) [HIF3G-6P-2.54DS](#) [HIF3G-15P-2.54DS](#) [HIF3G-16P-2.54DS](#) [HIF3G-25P-2.54DS](#) [HIF3G-2P-2.54DSA](#) [HIF3G-3P-2.54DSA](#) [HIF3G-5P-2.54DSA](#) [HIF3G-6P-2.54DSA](#) [HIF3G-7P-2.54DSA](#) [HIF3G-8P-2.54DSA](#) [HIF3G-10P-2.54DSA](#) [HIF3G-12P-2.54DSA](#) [HIF3G-14P-2.54DSA](#) [HIF3G-15P-2.54DSA](#) [HIF3G-16P-2.54DSA](#) [HIF3G-25P-2.54DSA](#) [HIF3G-5S-2.54C](#) [HIF3G-15S-2.54C](#) [HIF3G-20S-2.54C](#) [HIF3C-10D-2.54C](#) [HIF3C-10D-2.54C\(03\)](#) [HIF3C-16D-2.54C](#) [HIF3C-16D-2.54C\(03\)](#) [HIF3C-34D-2.54C\(03\)](#) [HIF3C-60D-2.54C](#) [HIF3-30CV\(71\)](#) [HIF3-40CVFA](#) [HIF3-PD-L-KANAGU\(01\)](#) [HIF3G-10P-2.54W](#) [HIF3-60P-2.54DSA\(04\)](#) [HIF3-50P-2.54DSA](#) [HIF3-6P-2.54DS](#) [HIF3-16P-2.54DSA](#) [HIF3-50CL](#) [HIF3-34CL](#) [HIF3-34P-2.54DS](#) [HIF3-26P-2.54DSA](#) [HIF3-10CL](#) [HIF3-26P-2.54DS](#) [HIF3-40P-2.54DSA](#) [HIF3-40P-2.54DS](#) [HIF3-10P-2.54DS](#) [HIF3-10P-2.54DSA](#) [HIF3-50CV\(71\)](#) [HIF3-26CV\(71\)](#) [HIF3-40CV\(71\)](#) [HIF3-20CL](#) [HIF3-30P-2.54W](#) [HIF3-40D-2.54R](#) [HIF3-40CL](#) [HIF3-34P-2.54DSA](#) [HIF3-26CL](#) [HIF3-16P-2.54DS](#) [HIF3-40P-2.54W](#) [HIF3-16D-2.54R](#) [HIF3B-10D-2.54R\(63\)](#) [HIF3B-10PA-2.54DS\(63\)](#) [HIF3B-14D-2.54R\(63\)](#) [HIF3B-16D-2.54R\(63\)](#) [HIF3B-16PA-2.54DS\(63\)](#) [HIF3MDW-10PA-2.54DSA\(63\)](#) [HIF3MBW-60PA-2.54DS\(63\)](#) [HIF3MBW-60PA-2.54DSA\(63\)](#) [HIF3MBW-64D-2.54R\(63\)](#) [HIF3MBW-64PA-2.54DS\(63\)](#) [HIF3MBW-64PA-2.54DSA\(63\)](#) [HIF3MDW-10PA-2.54DS\(63\)](#) [HIF3MAW-64PA-2.54DS\(63\)](#) [HIF3MAW-64PA-2.54DSA\(63\)](#) [HIF3MBW-50D-2.54R\(63\)](#) [HIF3MBW-50PA-2.54DS\(63\)](#) [HIF3MBW-50PA-2.54DSA\(63\)](#) [HIF3MBW-60D-2.54R\(63\)](#) [HIF3MAW-50PA-2.54DS\(63\)](#) [HIF3MAW-50PA-2.54DSA\(63\)](#) [HIF3MAW-60D-2.54R\(63\)](#) [HIF3MAW-60PA-2.54DS\(63\)](#) [HIF3MAW-60PA-2.54DSA\(63\)](#) [HIF3MAW-64D-2.54R\(63\)](#) [HIF3MAW-34PA-2.54DS\(63\)](#) [HIF3MAW-34PA-2.54DSA\(63\)](#) [HIF3MAW-40D-2.54R\(63\)](#) [HIF3MAW-40PA-2.54DS\(63\)](#) [HIF3MAW-40PA-2.54DSA\(63\)](#) [HIF3MAW-50D-2.54R\(63\)](#) [HIF3MAW-26PA-2.54DS\(63\)](#) [HIF3MAW-26PA-2.54DSA\(63\)](#) [HIF3MAW-30D-2.54R\(63\)](#) [HIF3MAW-30PA-2.54DS\(63\)](#) [HIF3MAW-30PA-2.54DSA\(63\)](#) [HIF3MAW-34D-2.54R\(63\)](#) [HIF3MAW-16PA-2.54DS\(63\)](#) [HIF3MAW-16PA-2.54DSA\(63\)](#) [HIF3MAW-20D-2.54R\(63\)](#) [HIF3MAW-20PA-2.54DS\(63\)](#) [HIF3MAW-20PA-2.54DSA\(63\)](#) [HIF3MAW-26D-2.54R\(63\)](#) [HIF3MAW-10PA-2.54DS\(63\)](#) [HIF3MAW-10PA-2.54DSA\(63\)](#)