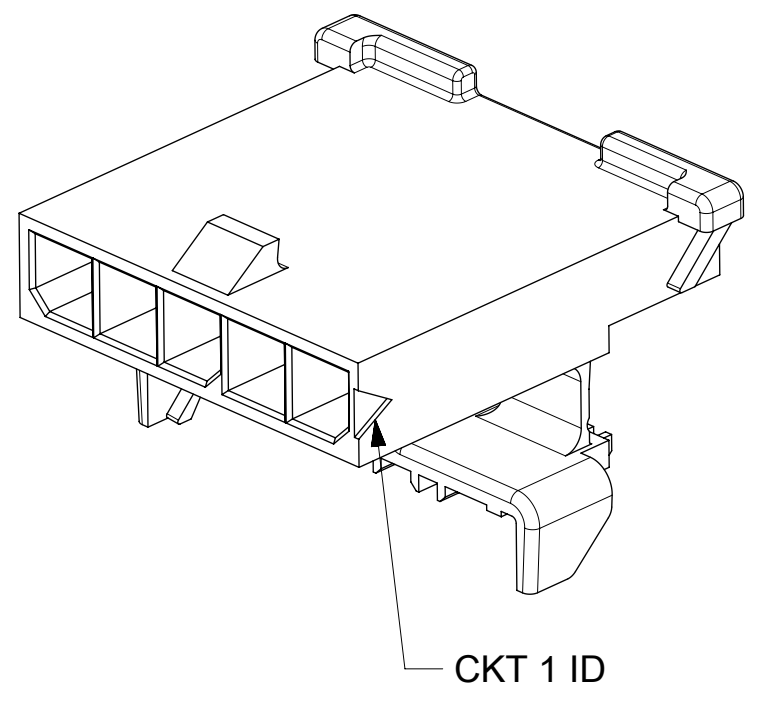
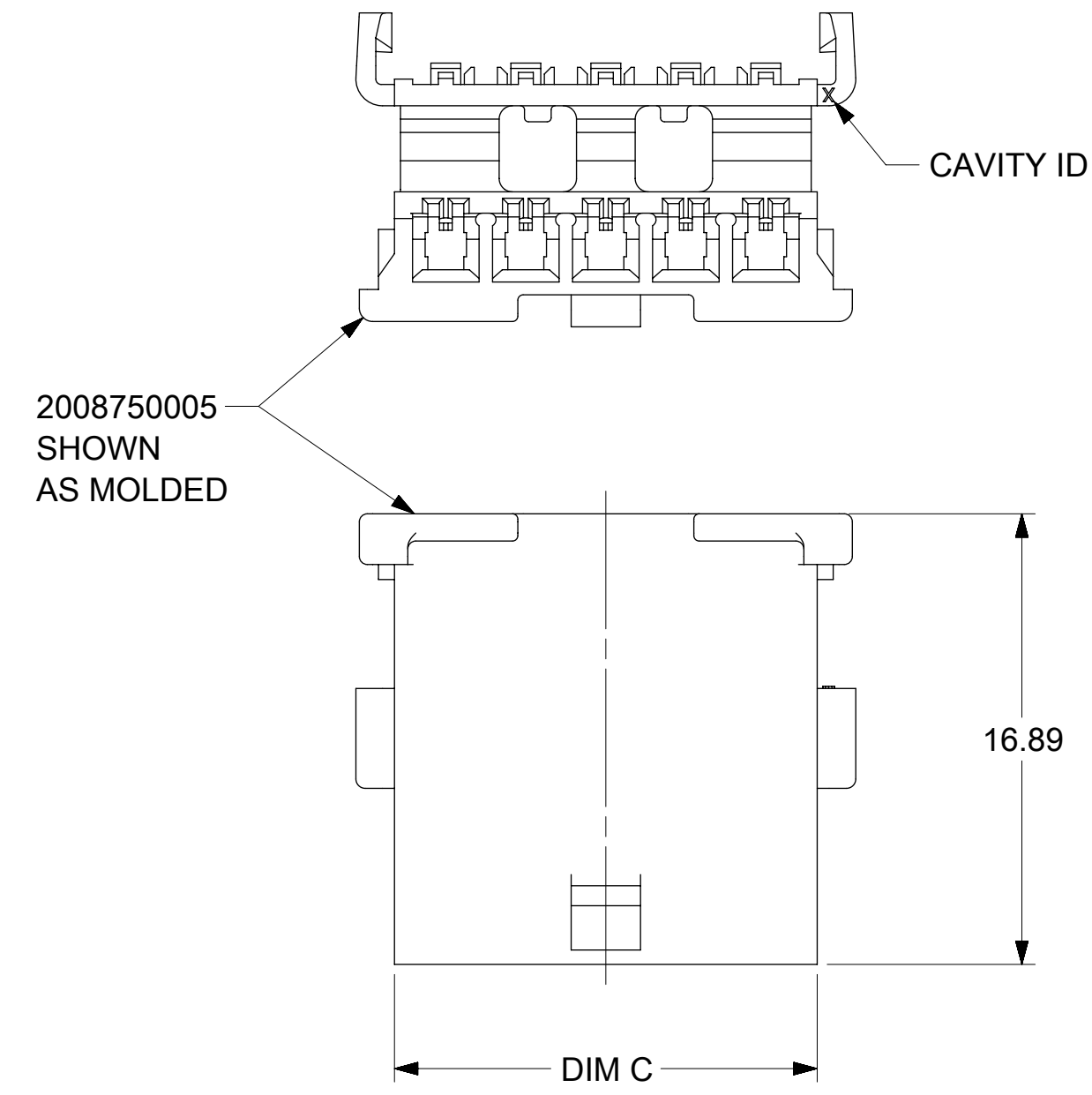
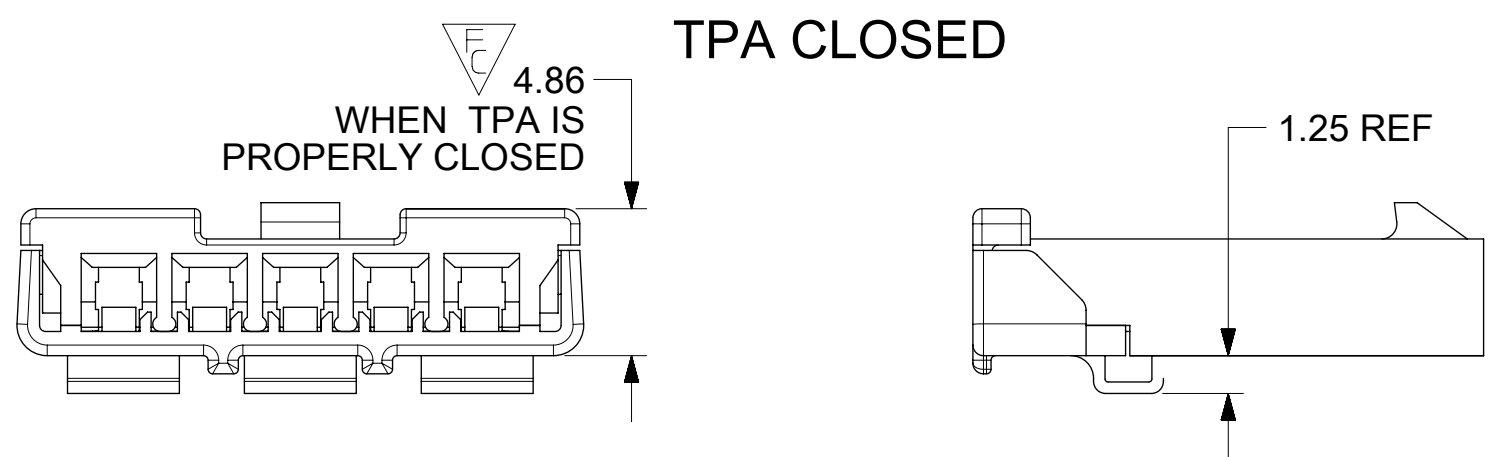
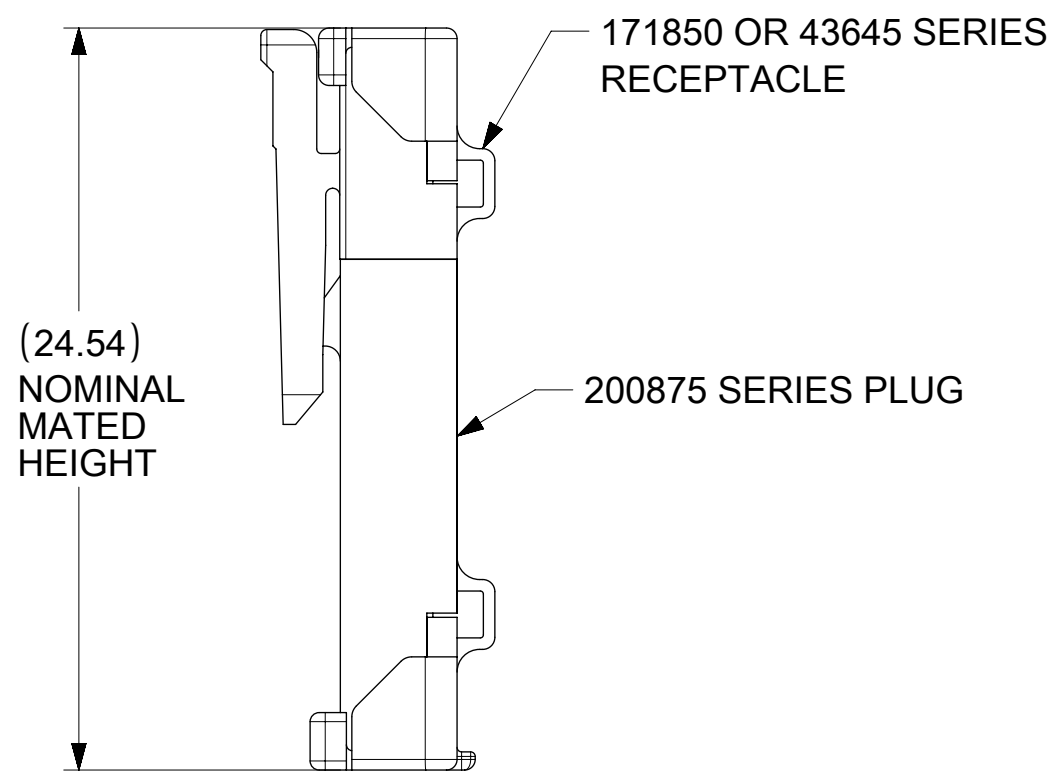
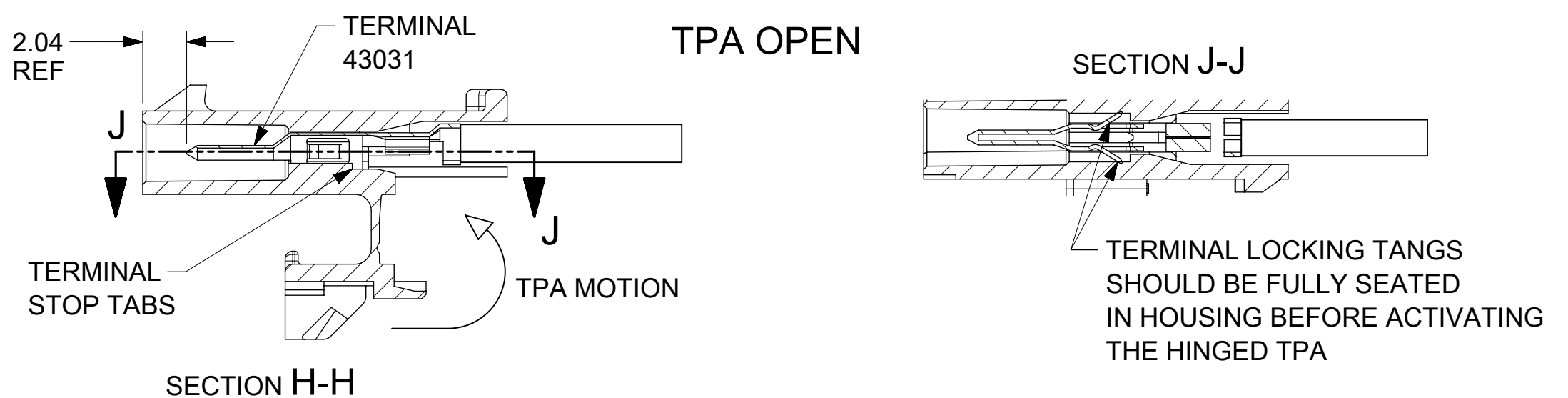
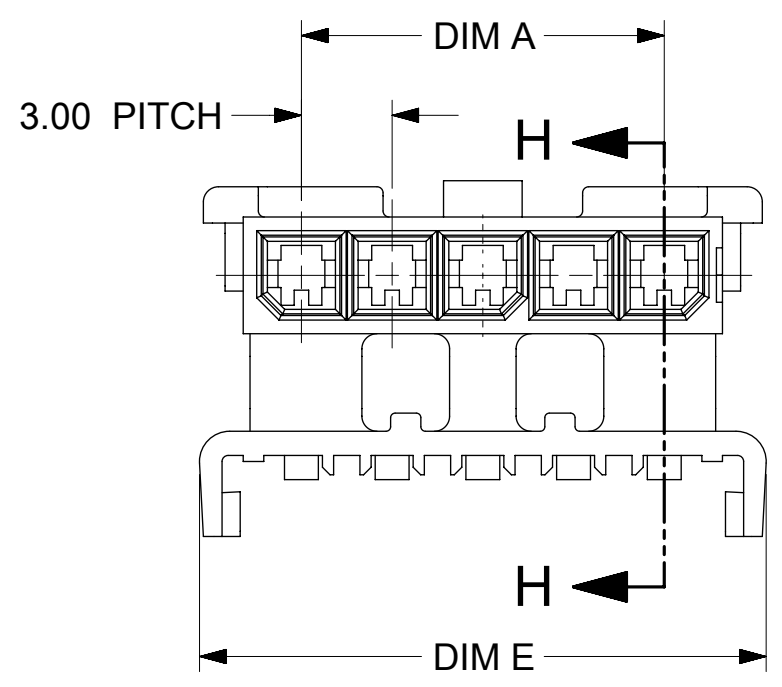


PART NUMBER	CIRCUIT SIZE	DIM A	DIM C	DIM E	MATERIAL
2008750002	2	3.00	6.85	9.74	V-0 LOW HALOGEN
2008750003	3	6.00	9.85	12.74	
2008750004	4	9.00	12.85	15.74	
2008750005	5	12.00	15.85	18.74	
2008750006	6	15.00	18.85	21.74	
2008750007	7	18.00	21.85	24.74	
2008750008	8	21.00	24.85	27.74	
2008750009	9	24.00	27.85	30.74	
2008750010	10	27.00	30.85	33.74	
2008750011	11	30.00	33.85	36.74	
2008750012	12	33.00	36.85	39.74	

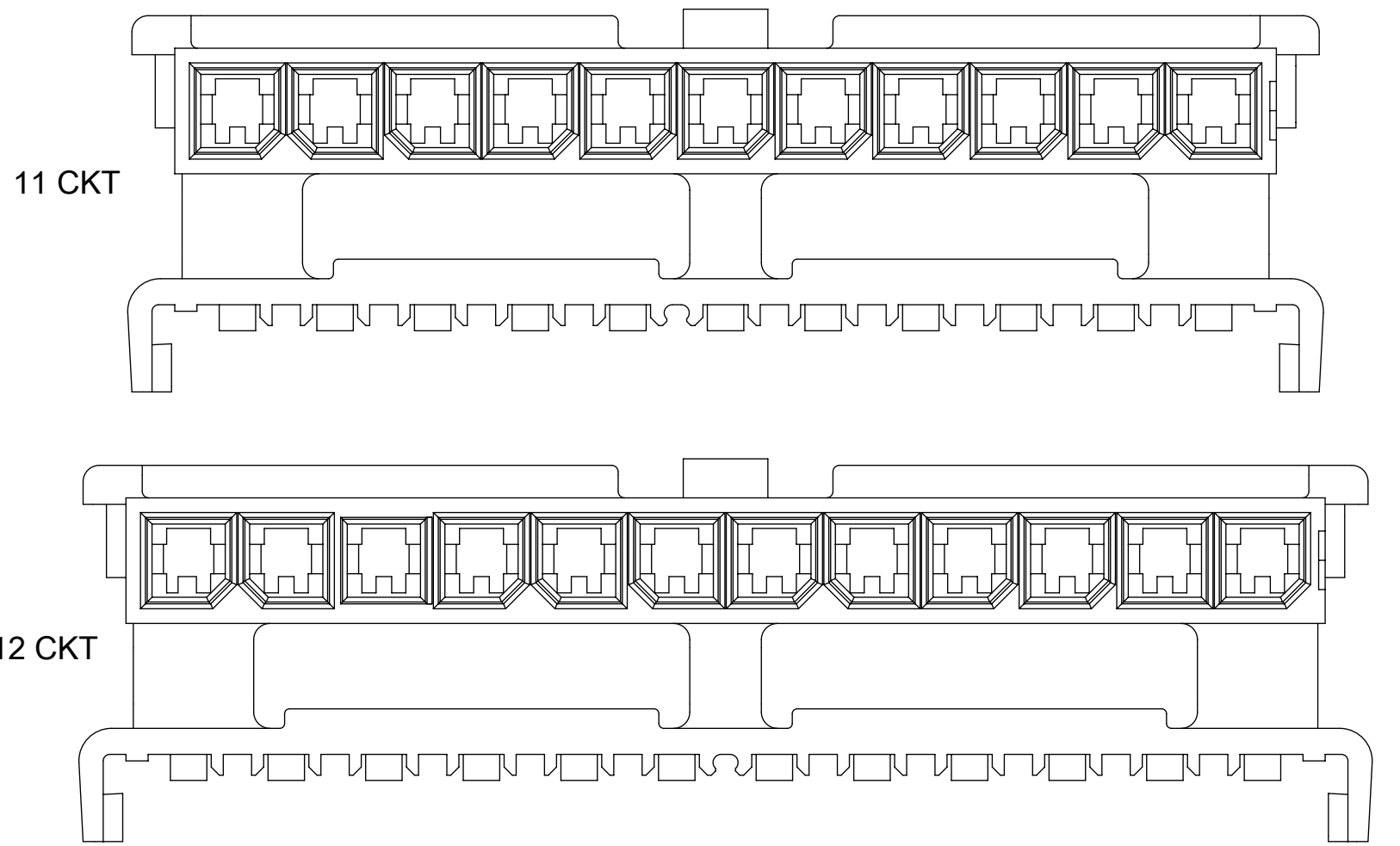
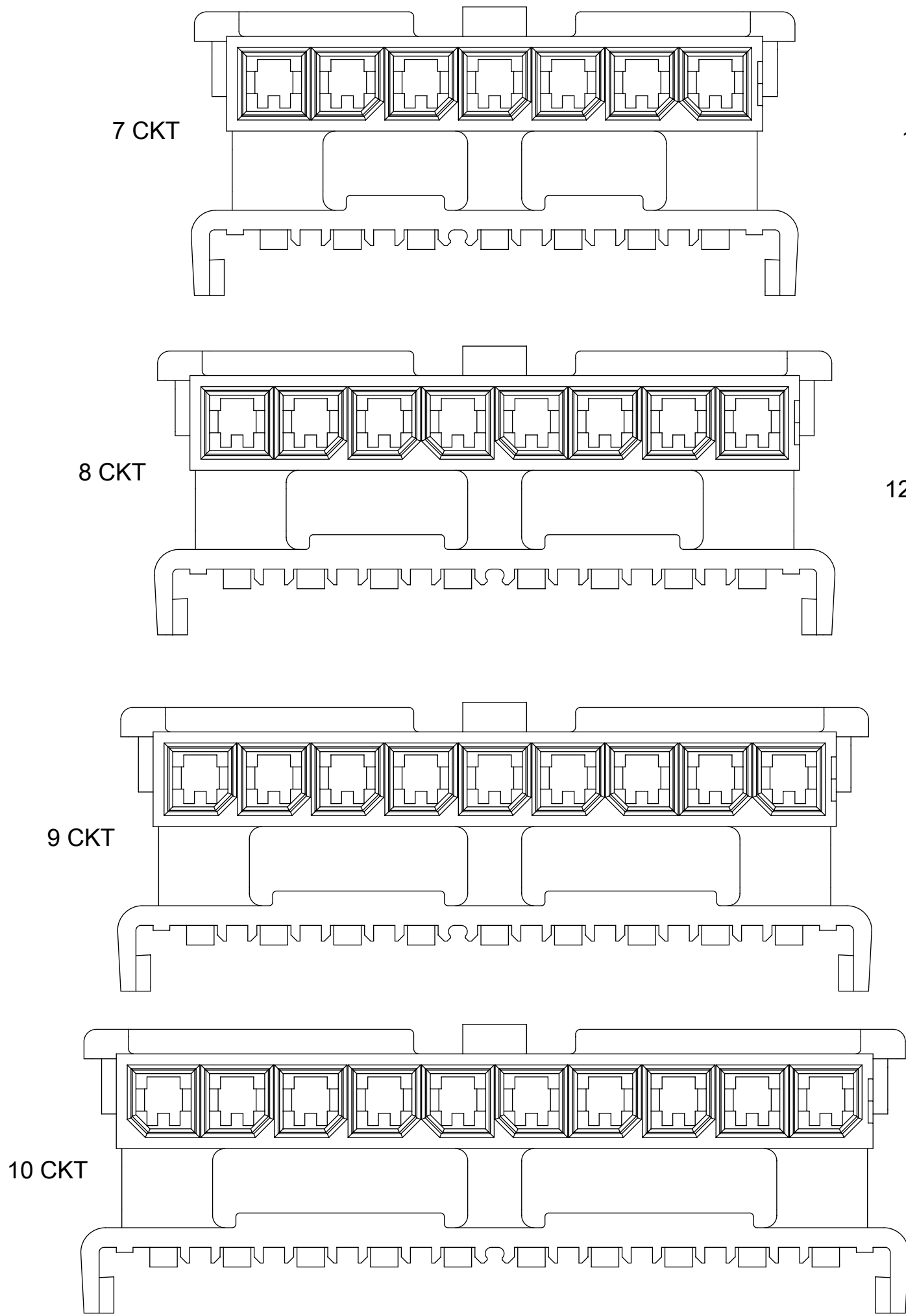
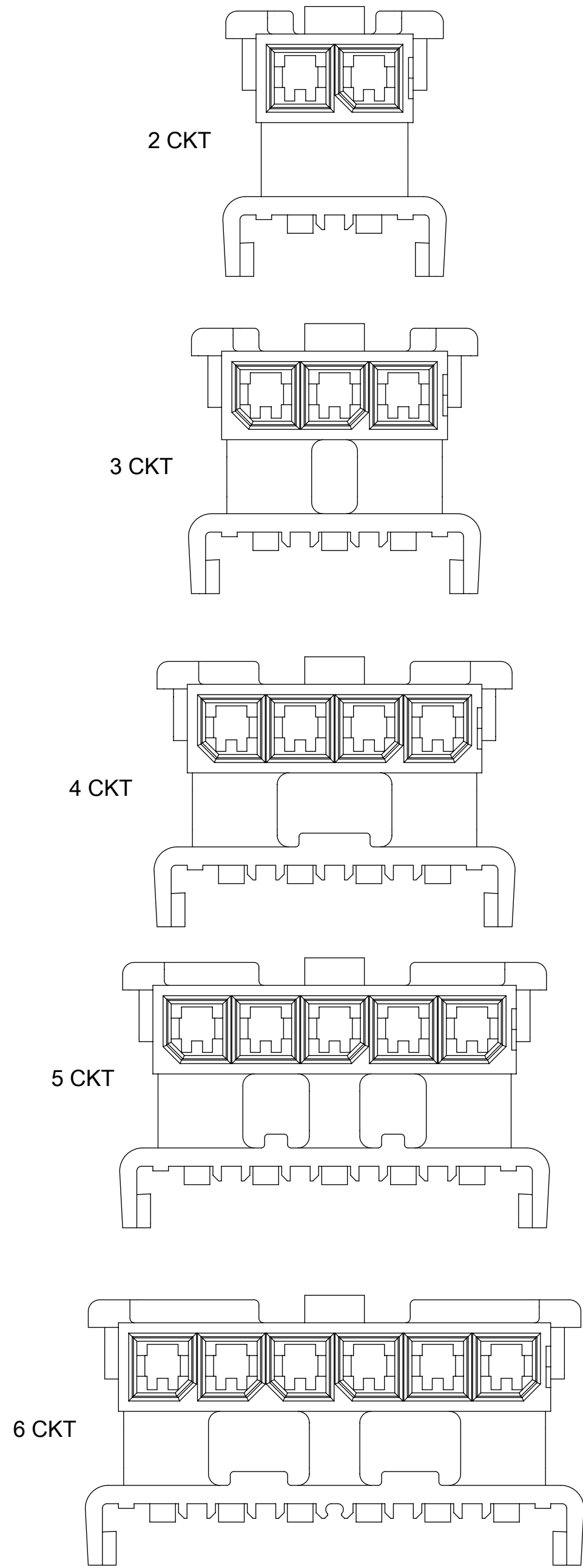


- NOTES:**
1. MATERIAL: NYLON, V-0 LOW HALOGEN, COLOR: BLACK
 2. FINISH: NONE
 3. PRODUCT SPECIFICATION: PS-43650
 4. PACKAGING SPECIFICATION: 2008750000-PK
 5. THIS HOUSING TO BE USED WITH MOLEX MALE TERMINAL NUMBERS 430315***.
 6. THIS PART MATES WITH MOLEX SERIES 171850 AND 43645.
 7. THIS PART CONFORMS TO CLASS 'B' REQUIREMENTS OF COSMETIC SPECIFICATION PS-45499-002.
 8. REFER TO AS-45499-001 FOR MOISTURIZING NYLON CONNECTOR PARTS.
 9. PRODUCT MUST BE USED WITH TPA INSTALLED.
 10. TPA IS INTENDED FOR ONE TIME USE.
 11. INTENDED FOR USE WITH 20-30 AWG WIRES ONLY.
 12. SOME HOUSINGS MAY HAVE A SMALL GATE BLEMISH NEAR THE GATE THAT DOES NOT AFFECT FUNCTIONALITY.



QUALITY SYMBOLS		THIS DRAWING CONTAINS INFORMATION THAT IS PROPRIETARY TO MOLEX ELECTRONIC TECHNOLOGIES, LLC AND SHOULD NOT BE USED WITHOUT WRITTEN PERMISSION		GENERAL TOLERANCES (UNLESS SPECIFIED)		DIMENSION UNITS		SCALE		molex	
▽ = 0	▽ = 5	▽ = 0	▽ = 0	▽ = 0	▽ = 0	MM	4:1	DRWN BY DATE			
▽ = 0	▽ = 0	▽ = 0	▽ = 0	▽ = 0	▽ = 0	ANGULAR TOL ± °		TGREGORI 2017/01/05		PRODUCT CUSTOMER DRAWING	
▽ = 0	▽ = 0	▽ = 0	▽ = 0	▽ = 0	▽ = 0	4 PLACES ±		CHKD BY DATE			
▽ = 0	▽ = 0	▽ = 0	▽ = 0	▽ = 0	▽ = 0	3 PLACES ±		TGREGORI 2017/01/05		200875 SEE TABLE GENERAL MARKET	
▽ = 0	▽ = 0	▽ = 0	▽ = 0	▽ = 0	▽ = 0	2 PLACES ± 0.13		APPR BY DATE			
▽ = 0	▽ = 0	▽ = 0	▽ = 0	▽ = 0	▽ = 0	1 PLACE ± 0.2		RHODGE 2017/01/06		2008750000-SD PSD 000 1 OF 2	
▽ = 0	▽ = 0	▽ = 0	▽ = 0	▽ = 0	▽ = 0	0 PLACES ±		DRAWING SIZE THIRD ANGLE PROJECTION			
▽ = 0	▽ = 0	▽ = 0	▽ = 0	▽ = 0	▽ = 0	DRAFT WHERE APPLICABLE MUST REMAIN WITHIN DIMENSIONS					

POLARIZATION LAYOUT



QUALITY SYMBOLS		THIS DRAWING CONTAINS INFORMATION THAT IS PROPRIETARY TO MOLEX ELECTRONIC TECHNOLOGIES, LLC AND SHOULD NOT BE USED WITHOUT WRITTEN PERMISSION										
▽ = 0	EC NO: 116763 DRWN: TGREGORI CHKD: TGREGORI REV / APPR: RHODGE	GENERAL TOLERANCES (UNLESS SPECIFIED)				DIMENSION UNITS	SCALE					
▽ = 0		ANGULAR TOL ± °				MM	5:1					
▽ = 0		4 PLACES ±				DRWN BY	DATE	MICRO-FIT TPA SINGLE ROW PLUG HOUSING				
▼ = 0		3 PLACES ±				TGREGORI	2017/01/05					
▽ = 0		2 PLACES ± 0.13				CHKD BY	DATE	PRODUCT CUSTOMER DRAWING				
▽ = 0		1 PLACE ± 0.2				TGREGORI	2017/01/05					
⊠ = 0		0 PLACES ±				APPR BY	DATE	SERIES MATERIAL NUMBER CUSTOMER 200875 SEE TABLE GENERAL MARKET				
■ = 0		DRAFT WHERE APPLICABLE MUST REMAIN WITHIN DIMENSIONS				RHODGE	2017/01/06					
▽ = 0		C	DRAWING SIZE	THIRD ANGLE PROJECTION	DOCUMENT NUMBER DOC TYPE DOC PART SHEET NUMBER 2008750000-SD PSD 000 1							
			C									