

**MODEL:** CES-231210-18PM | **DESCRIPTION:** SPEAKER**FEATURES**

- 8 ohm rated impedance
- 1.0 W rated power
- panel mount

**SPECIFICATIONS**

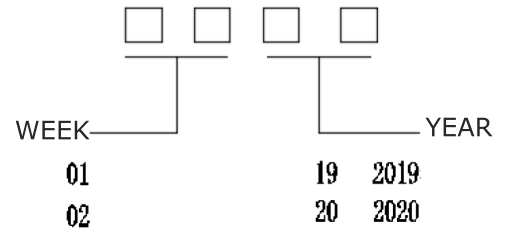
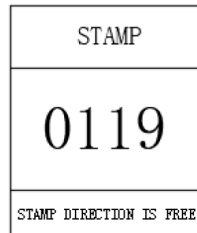
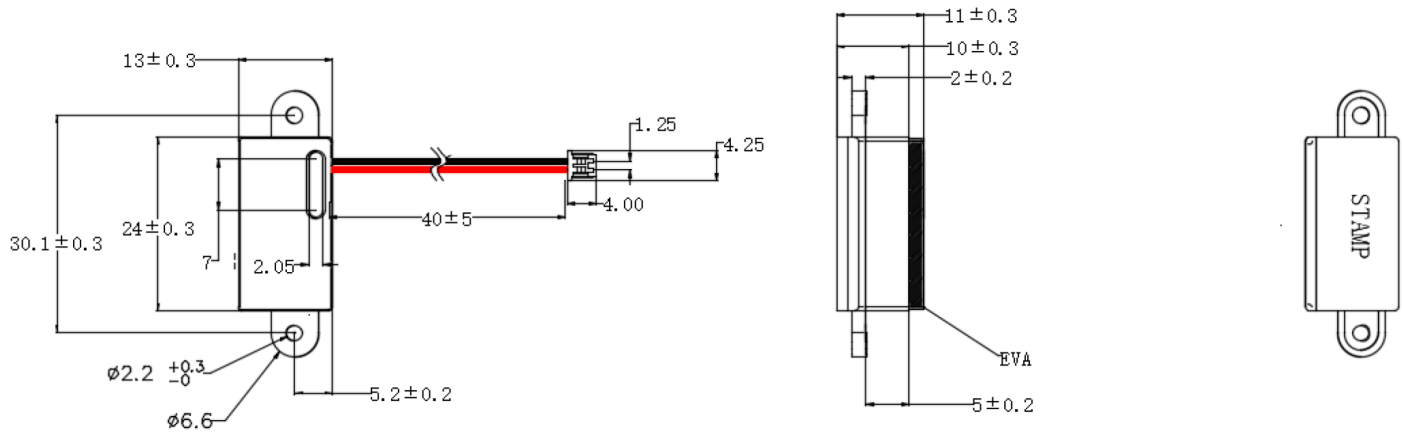
parameter	conditions/description	min	typ	max	units
input power	max power: IEC-60268-5, filter 60 seconds on, 120 seconds off, 10 cycles (room temp)		1.0	1.5	W
impedance	at 2.0 kHz	6.8	8	9.2	$\Omega$
resonant frequency (Fo)		680	850	1,020	Hz
frequency response		Fo		20,000	Hz
sound pressure level	at 1.0 W, 10 cm, avg at 2.0 kHz	89	92	95	dB
distortion	at 1.0 kHz, 1.0 W			10	%
buzz, rattle, etc.	must be normal at sine wave, frequency range			2.83	V
polarity	cone moves forward w/ positive dc current to "+" terminal				
dimensions	24.0 x 13.0 x 11.0				mm
magnet	Nd-Fe-B				
frame material	ABS				
cone material	PEEK				
terminal	wire leads with connector				
weight			3.1		g
operating temperature		-20		60	$^{\circ}\text{C}$
storage temperature		-30		70	$^{\circ}\text{C}$
RoHS	yes				

Notes: 1. All specifications measured at 15~35 $^{\circ}\text{C}$ , humidity at 45~85%, under 86~106 kPa pressure, unless otherwise noted.

## MECHANICAL DRAWING

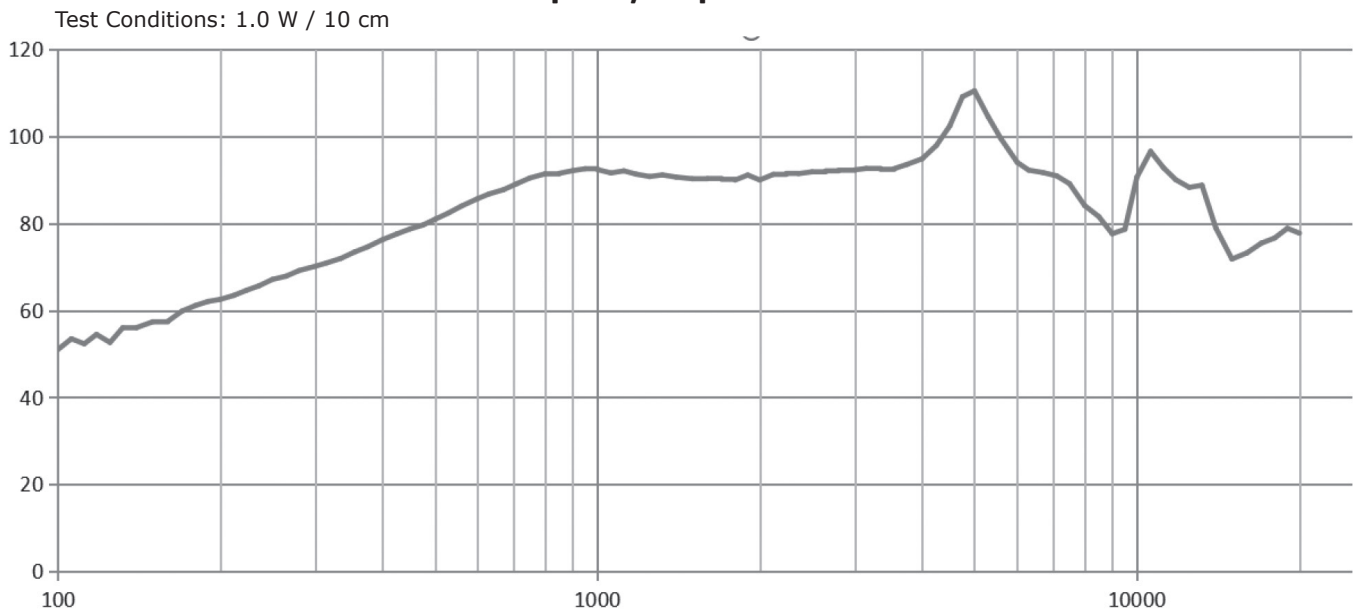
units: mm  
tolerance:  $\pm 0.3$  mm

wire: UL1571 30 AWG  
internal speaker: CMS-20103-078SP  
connector: Molex 51021-0200 or equivalent; P=1.25

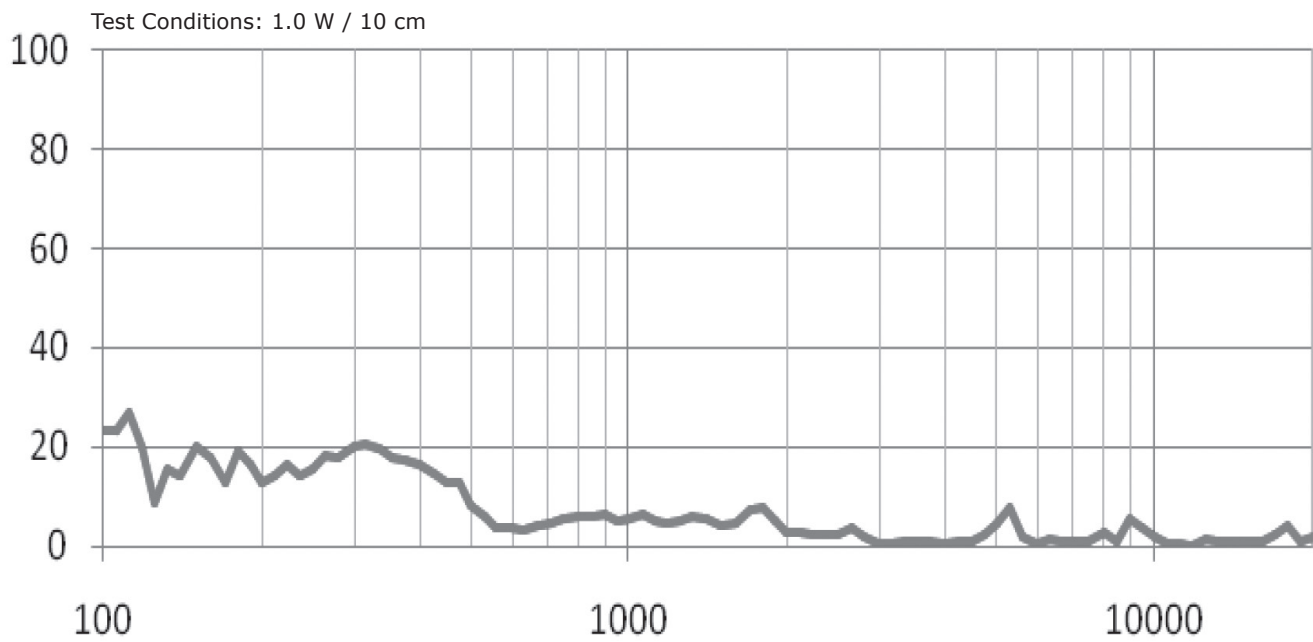


## RESPONSE CURVES

### Frequency Response Curve



### Total Harmonic Distortion Curve

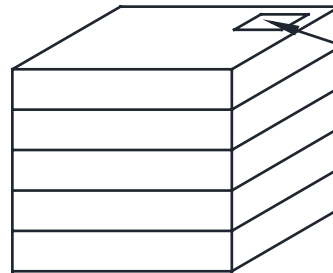
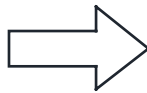
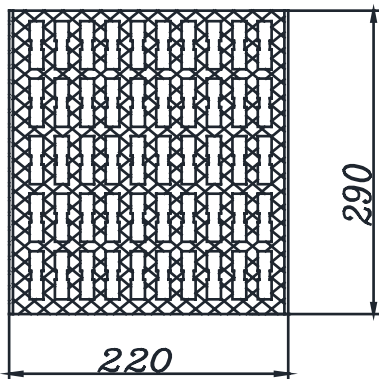


## PACKAGING

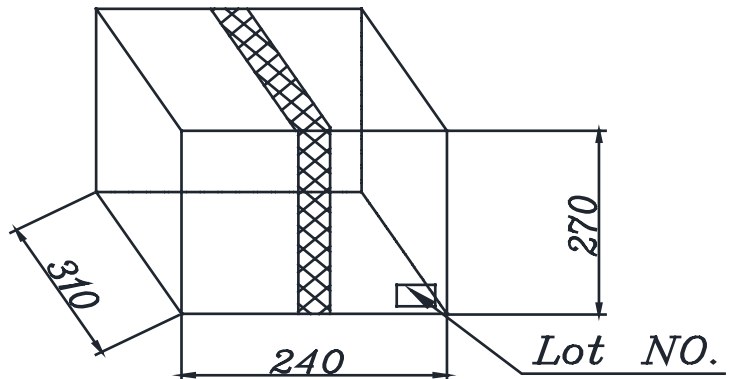
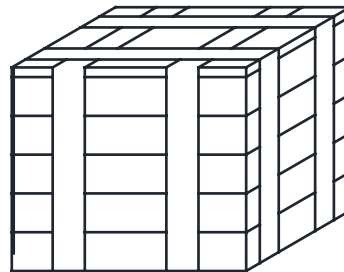
units: mm

Tray Size: 290 x 220 mm  
 Tray QTY: 100 pcs per tray  
 Carton Size: 310 x 240 x 270 mm  
 Carton QTY: 2,500 pcs per carton

100PCS×25=2500PCS/Stack



2500PCS/box



Lot No.	XXXXXXXXXX
Part No.	CUI Inv#. CUI Part#.
Quantity.	XXXX Pcs
Date:	
	DD MM YY
	MADE IN CHINA
	CUI DEVICES

**RoHS Compliant**

## REVISION HISTORY

---

rev.	description	date
1.0	initial release	06/08/2020

The revision history provided is for informational purposes only and is believed to be accurate.

---

# CUI DEVICES

CUI Devices offers a one (1) year limited warranty. Complete warranty information is listed on our website.

CUI Devices reserves the right to make changes to the product at any time without notice. Information provided by CUI Devices is believed to be accurate and reliable. However, no responsibility is assumed by CUI Devices for its use, nor for any infringements of patents or other rights of third parties which may result from its use.

CUI Devices products are not authorized or warranted for use as critical components in equipment that requires an extremely high level of reliability. A critical component is any component of a life support device or system whose failure to perform can be reasonably expected to cause the failure of the life support device or system, or to affect its safety or effectiveness.