

MICRO SWITCH
a Honeywell Division

SWITCH-BASIC

BA-2RV-P4

FED. MFG. CODE 91929

BA-2RV-P4
ISSUE 2

REPLACES

CATALOG LISTING
BA-2RV-P4
PAGE 1 OF 1

M
ISSUE
10

CHECK

REVISIONS

A CO-77863
G J W
30 APR 96

B C093346
DLT
26 AUG 98

C 206988
TSM
9 DEC 02

CHECK

CHECK

CHECK

CHECK

CHECK

CHECK

CHECK

CHECK

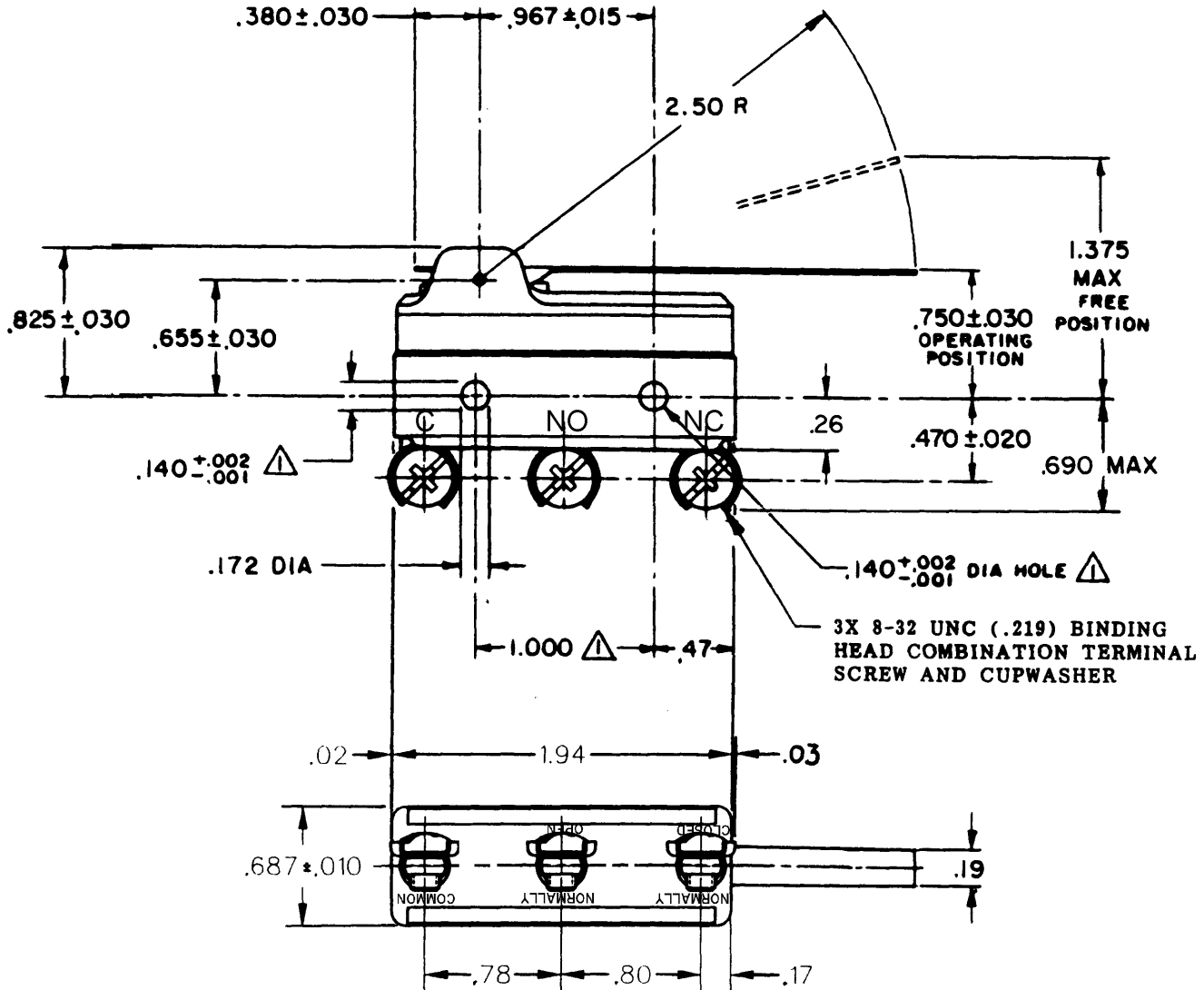
CHECK

CHECK

CHECK

CHECK

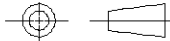
CHECK



NOTE
 ▲ - MOUNTING HOLES WILL ACCEPT PINS OR SCREWS
 OF .139 MAX DIA ON $1.000 \pm .002$ CENTERS

THIS DRAWING COVERS A PROPRIETARY ITEM AND IS THE PROPERTY OF MICRO SWITCH, A DIVISION OF HONEYWELL. THIS DRAWING IS NOT TO BE COPIED OR USED WITHOUT THE APPROVAL OF MICRO SWITCH.

THIRD ANGLE PROJECTION



CHARACTERISTICS

OPERATING FORCE ----- 2 1/2 OZ MAX
 RELEASE FORCE ----- 1/2 OZ MIN
 PRETRAVEL ----- .625 MAX
 DIFFERENTIAL TRAVEL ----- .109 MAX
 OVERTRAVEL ----- .078 MIN

ELECTRICAL DATA

CONTACT ARRANGEMENT
 S P D T

L23 UNDERWRITERS' LAB. INC. LISTED RATING
 20A - 125, 250 OR 480 VAC
 10A - 125 VAC "L"
 1HP - 125 VAC, 2HP - 250 VAC
 1/2A - 125 VDC, 1/4A - 250 VDC

L288
 L299
 L308



20(3)A 250V ~ T85 5E4

SCALE FULL

DO NOT
 SCALE PRINT

UNLESS OTHERWISE SPECIFIED TOLERANCES ARE

ONE PLACE (.0)	± .030
TWO PLACE (.00)	± .015
THREE PLACE (.000)	± .005
ANGLES	±

WEIGHT

FORMTEK
DRAWN

G J W 30 APR 96

Mouser Electronics

Authorized Distributor

Click to View Pricing, Inventory, Delivery & Lifecycle Information:

[Honeywell:](#)

[BA-2RV-P4](#)