

REV. Status

- ISSUE 1
3/18/92 TS
- ISSUE 2
TEMECULA
WAS CARSON.
UPDATED LABELS
12/18/93 TS
- ISSUE 3
REFORMATTED
4/21/95 TS
- ISSUE 4
ADDED PF6-12
AND MICROTRAN
02/12/96 TS

LOW PROFILE, THREE FLANGE 6VA POWER TRANSFORMER APPROVED TO UL506 AND CSA C22.2 NO. 66-1988 AND USES A UL CLASS B (130°C) APPROVED INSULATION SYSTEM

A. Electrical Specifications (@ 25 C)

1. Input Voltage and Frequency; 115/240V 50/60 Hz
2. Output Voltage; 12.6V ±5% @ 0.475A load, series
6.3V ±5% @ 0.95A load, parallel
3. Output Power; 6 VA
4. Insulation Resistance;
100 MΩ MIN @ 500VDC, Pri to Sec, Pri to Core, Sec to Core
5. Hi-Pot;
1500 Vrms 1 minute @ Pri to Sec, Pri to Core
1500 Vrms 1 minute @ Sec to Core
6. Temperature Rating; 130°C (UL Class "B")

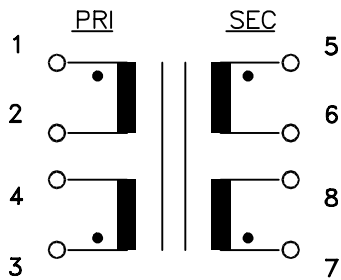


B. Marking; 3FL12-475, TAMURA TEMECULA CA, MICROTRAN, PF6-12, date code, country of origin, input and output ratings, terminal numbers, safety symbols and "130B".

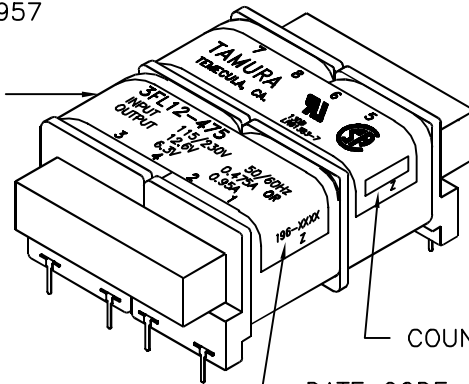
C. Safety:

UL approved, File E145619
Insulation Class B (130° C) File E92957
CSA Certified, File LR81383-7

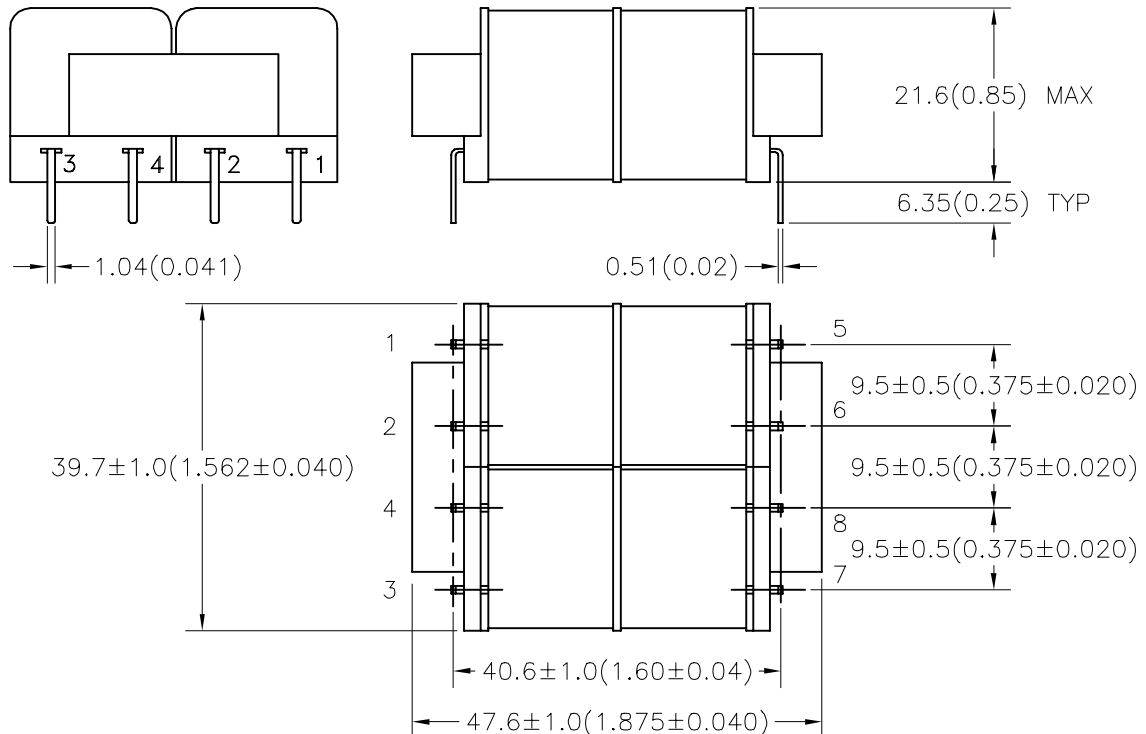
D. Schematic Diagram:



MICROTRAN
PF6-12



E. Mechanical Specifications:



TOLERANCES (mm)
≤ 4 ± 0.2
4 ≤ 20 ± 0.3
20 ≤ 50 ± 0.4

PREPARED BY:

K. Brennan

ENGINEER:

T. Shiozawa

QUALITY CONTROL:

V. Casey

APPROVED:

V. Casey

DWG CONTROL NO. REV
P-A1-10536 C
ACAD\3F\A1105361.DWG

3 FLANGE BOBBIN
POWER TRANSFORMER

TAMURA CORPORATION OF AMERICA
43352 BUSINESS PARK DRIVE, TEMECULA, CA. 92590-6624
(909) 699-1270 FAX 9096769482

3FL12-475
MODEL SPECIFICATION
DIM: mm(In) SCL: NONE SH: 1 OF 1

PROPRIETARY NOTICE: THIS DRAWING PRINT OR DOCUMENT AND SUBJECT MATTER DISCLOSED HEREIN ARE PROPRIETARY ITEMS TO WHICH TAMURA RETAINS THE EXCLUSIVE RIGHT OF DISSEMINATION, REPRODUCTION, MANUFACTURE AND SALE. THIS DRAWING, PRINT OR DOCUMENT IS SUBMITTED IN CONFIDENCE FOR CONSIDERATION BY THE RECIPIENT ALONE UNLESS PERMISSION FOR FURTHER DISCLOSURE IS EXPRESSLY GRANTED IN WRITING.

MODEL NUMBER
3FL12-475

Mouser Electronics

Authorized Distributor

Click to View Pricing, Inventory, Delivery & Lifecycle Information:

[Tamura:](#)

[3FL12-475](#)