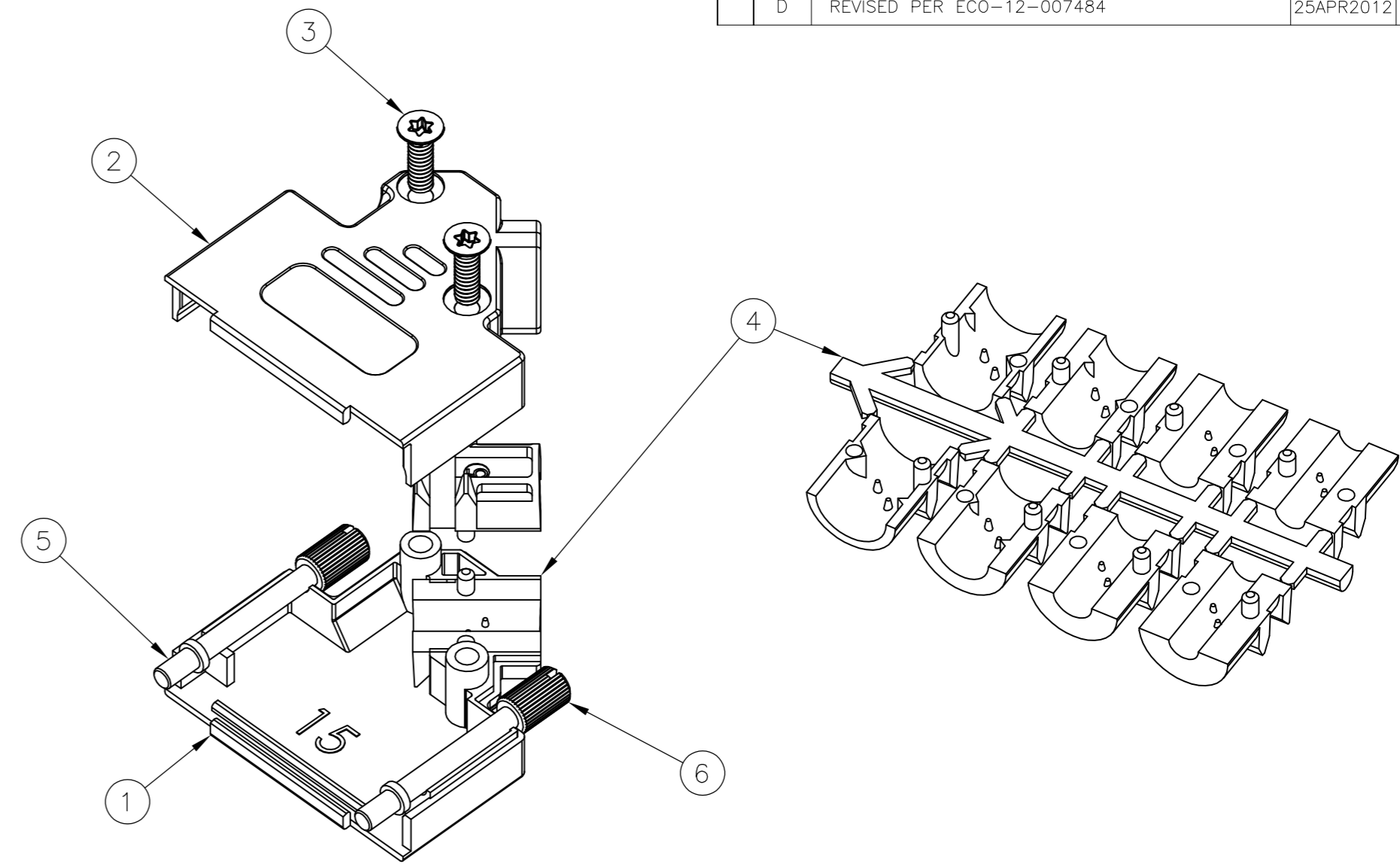
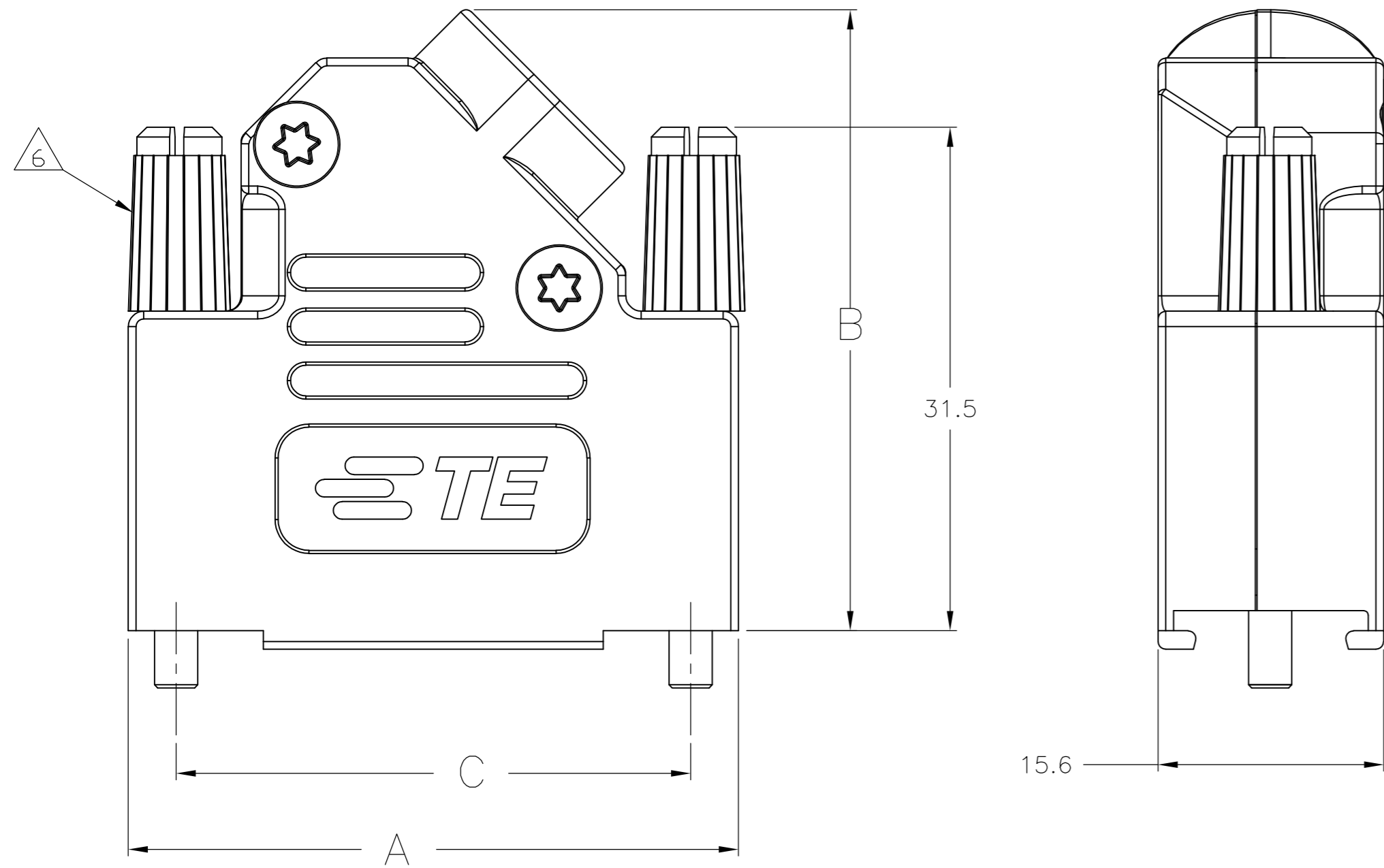


THIS DRAWING IS UNPUBLISHED. RELEASED FOR PUBLICATION 12, 2011.
 © COPYRIGHT 2011 By - ALL RIGHTS RESERVED.

LOC	DIST	REVISIONS			
P	LTR	DESCRIPTION	DATE	DWN	APVD
GP	00	D	REVISED PER ECO-12-007484	25APR2012	CJV CWR



1. FOR ASSEMBLY DETAILS REFER TO LEAFLET 1478530-1.
2. BULK PACKAGED SHELL ASSEMBLIES. SHELL ASSEMBLY COMPONENTS PACKAGED SEPARATELY IN BAGS. 100 COMPONENTS PER BAG. ONE LEAFLET 1478530-1 PER BAG OF 100 PARTS.
3. INDIVIDUAL PACKAGED SHELL ASSEMBLIES. ONE BAG CONTAINS ALL COMPONENTS FOR ONE FULL ASSEMBLY & ONE LEAFLET 1478530-1.
4. JACKSCREW QUANTITY:
 9 WAY ASSEMBLY: 1 JACKSCREW
 15 WAY ASSEMBLY: 2 JACKSCREWS
 25 WAY ASSEMBLY: 2 JACKSCREWS
 37 WAY ASSEMBLY: 2 JACKSCREWS.
5. TERMINATES 4.0-13.0 CABLE DIAMETERS.
6. ONLY 1 JACKSCREW INCLUDED WITH 9 POSITION FOR USE ON THIS SIDE.
7. 15 POSITION SHOWN.

CALLOUT	63.5	40.2	69.5	TORX	4-40 UNC	4	37 WAY	5-2198618-4
3	47.0	40.2	53.0	TORX	4-40 UNC	3	25 WAY	5-2198618-3
3	33.3	40.2	39.3	TORX	4-40 UNC	2	15 WAY	5-2198618-2
3	25.0	36.2	31.0	TORX	4-40 UNC	1	9 WAY	5-2198618-1
2	63.5	40.2	69.5	TORX	4-40 UNC	4	37 WAY	3-2198618-7
2	47.0	40.2	53.0	TORX	4-40 UNC	3	25 WAY	2-2198618-5
2	33.3	40.2	39.3	TORX	4-40 UNC	2	15 WAY	1-2198618-5
2	25.0	36.2	31.0	TORX	4-40 UNC	1	9 WAY	2198618-9
PACKAGING	C	B	A	SELF TAPPING FIXING SCREW TYPE	JACKSCREW THREAD	SHELL SIZE	POSITION	PART NUMBER

6	JACKSCREW KNOB	POLYAMIDE UL94 V2		2
5	JACKSCREW	CARBON STEEL	ZINC	4
4	STRAIN RELIEF	POLYCARBONATE UL94 V0		2
3	SELF TAPPING FIXING SCREW	CARBON STEEL	NICKEL	2
2	TOP BACKSHELL	ABS UL94 V0	NICKEL	1
1	BOTTOM BACKSHELL	ABS UL94 V0	NICKEL	1
ITEM	DESCRIPTION	MATERIAL	FINISH	QTY

THIS DRAWING IS A CONTROLLED DOCUMENT. DIMENSIONING AND TOLERANCING PER ASME Y14.5M-2009

DWN: C. VALENTINE 09DEC2011
 CHK: C. ROHDE 08DEC2011
 APVD: C. ROHDE 08DEC2011
 PRODUCT SPEC: -
 APPLICATION SPEC: -
 WEIGHT: -
 CUSTOMER DRAWING

TE Connectivity
 ADK SERIES PLATED PLASTIC BACKSHELL 45 DEGREE ENTRY

SIZE: A2 CAGE CODE: 00779 DRAWING NO: C=2198618 RESTRICTED TO: -
 SCALE: 1:1 SHEET: 1 OF 1 REV: D