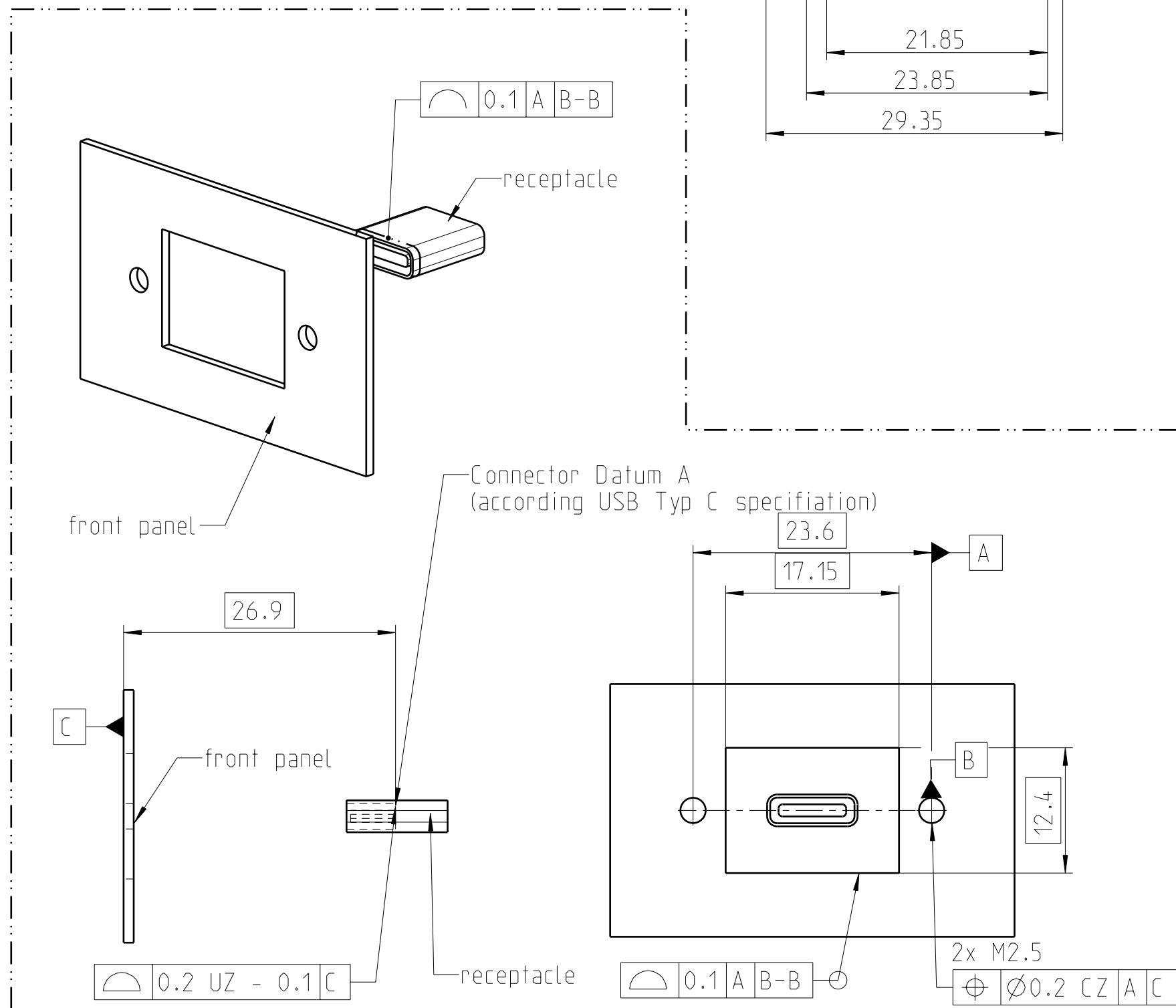
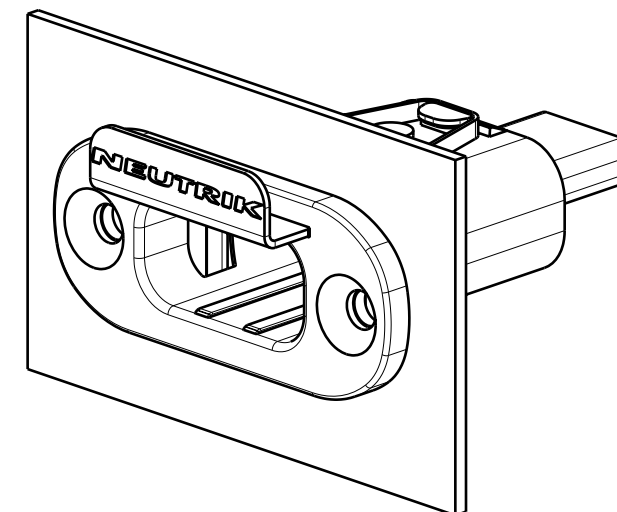
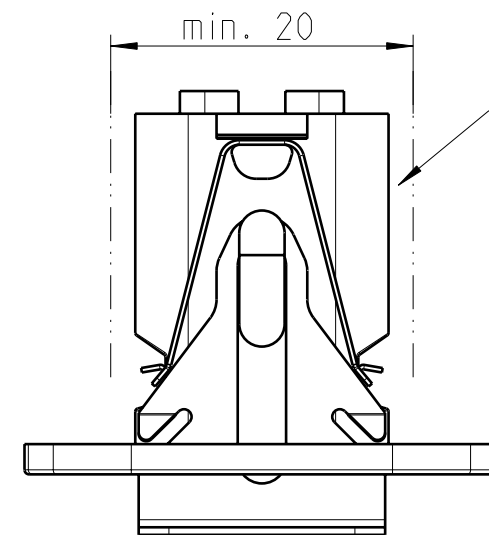
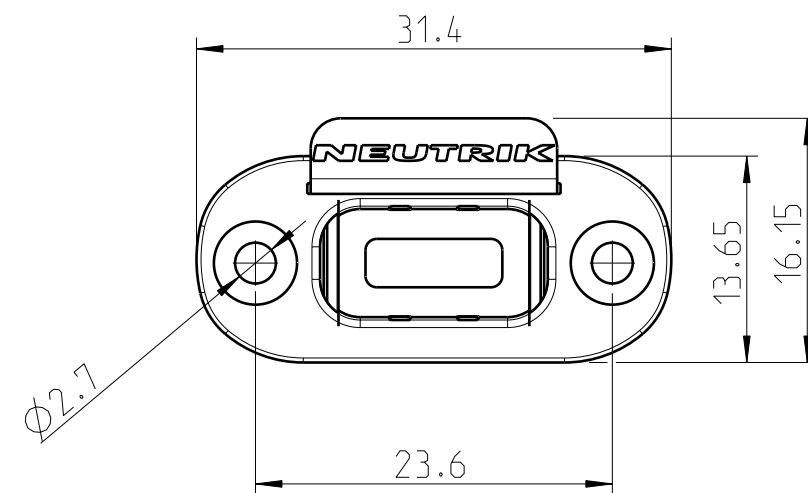
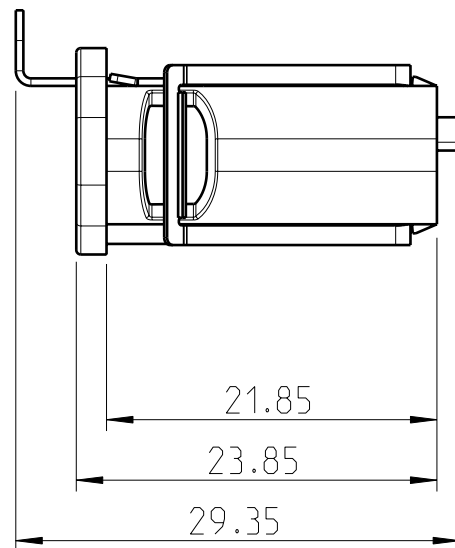
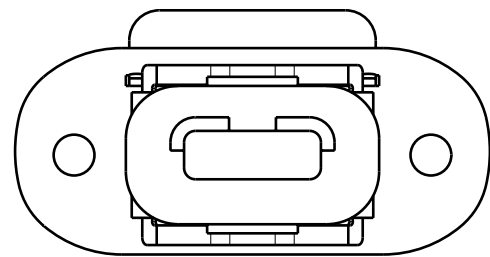


12.77g	3.75cm <sup>3</sup>	84.20cm <sup>2</sup>	2:1 A3	Refer to protection notice ISO 16016.		
Material	-	-		Date	Name	
Name	MediaCon NMC-C			24.01.2017	Fritsch	
				Checked	Fritsch	
				Modified	-	
				Change-No.	Sheet-No.	Index
				-	1 / 1	-
© NEUTRIK 2018				Replacement for: Drawing-No. ST-NMC-C		



12.77g	3.75cm <sup>3</sup>	84.20cm <sup>2</sup>	2:1 A3	Refer to protection notice ISO 16016.		
Material	-	-		Drawn	24.01.2017	Fritsch
	-	-		Checked	24.01.2017	Fritsch
Name	MediaCon NMC-C			Modified	-	-
				Change-No.	Sheet-No.	Index
				-	1 / 1	-
© NEUTRIK 2018				Replacement for: Drawing-No. ST-NMC-C_2		