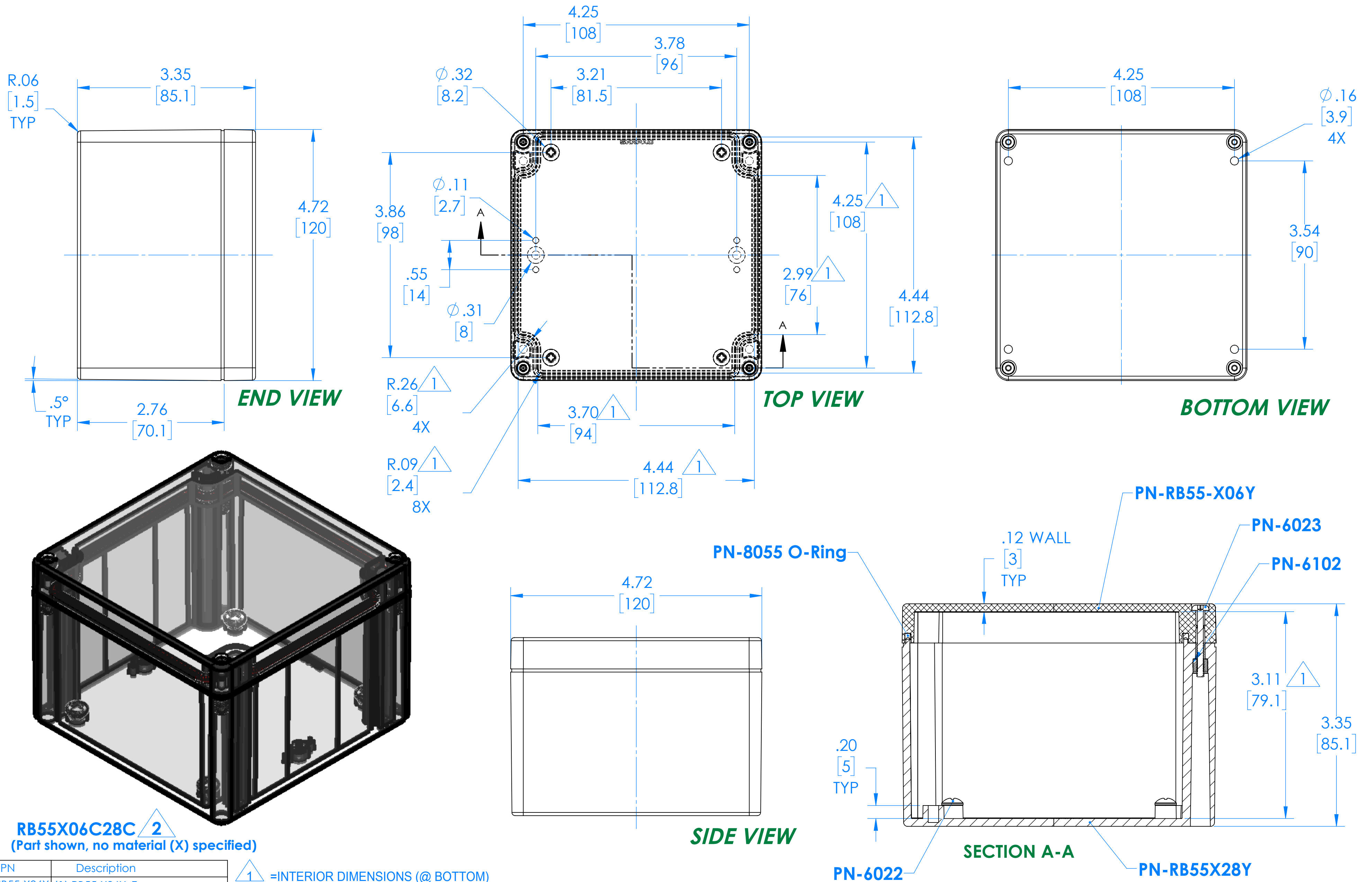


# SERPAC RB55X06Y28Y 2

Electronic Enclosures



**RB55X06C28C 2**  
 (Part shown, no material (X) specified)

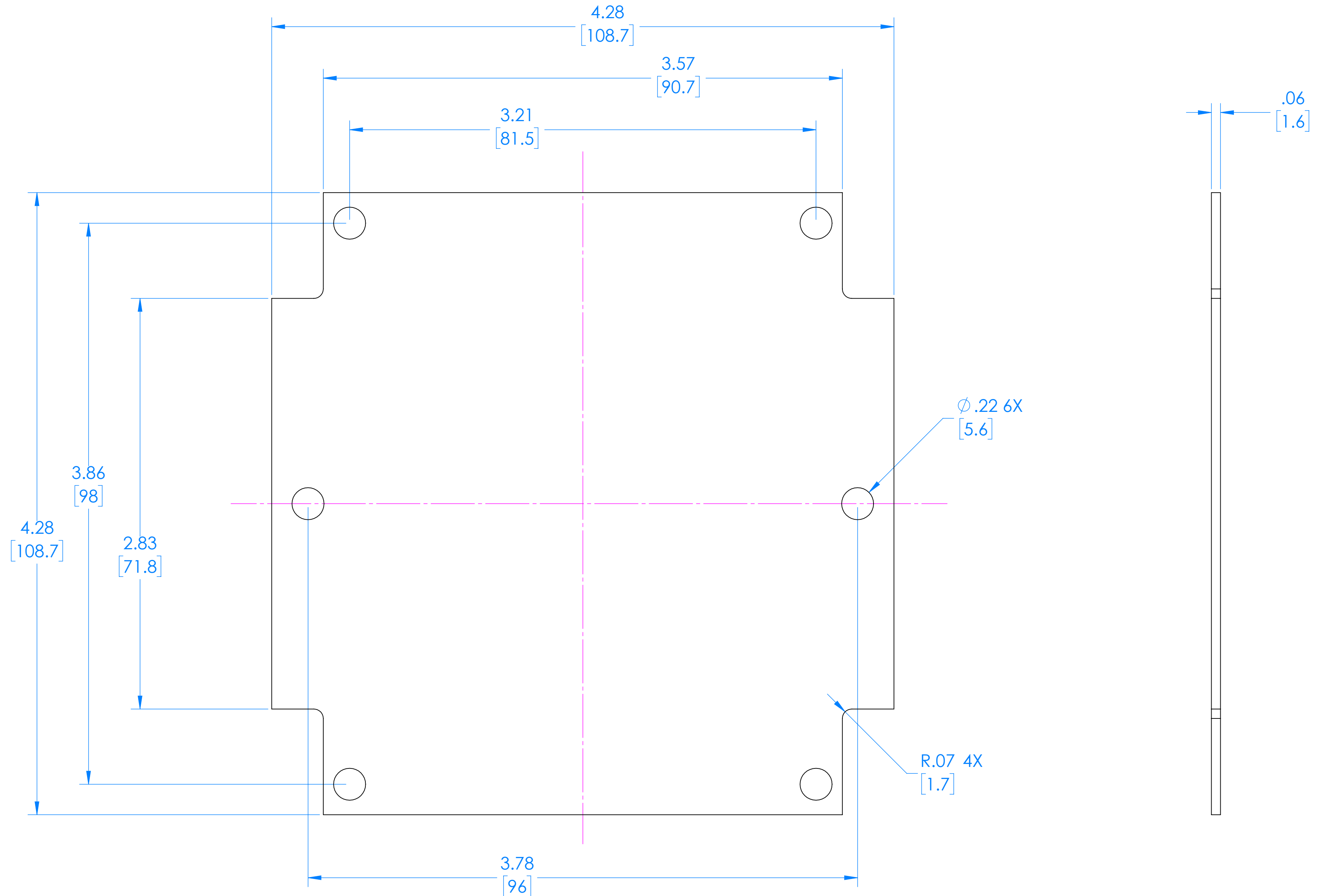
PN	Description
RB55-X06Y	(1) RB55-X06Y, Top
RB55X28Y	(1) RB55X28Y, Bottom
8055	(1) RB55 O-Ring
6023	(4) #4-40 Torx 10 Hd Screw
6022	(4) #10 High/Low Pan Hd x 1/4"
6102	(4) #4-40 Threaded Insert

- 1 = INTERIOR DIMENSIONS (@ BOTTOM)
- 2 = STANDARD COLORS (Y) ARE: BLACK (B), CLEAR (C) AND GRAY (G)  
 TOPS AND BOTTOMS ALL POSSIBLE COMBINATIONS AVAILABLE  
 STANDARD MATERIALS (X) IS: POLYCARBONATE (P)

-Watertight enclosure meets or exceed Nema 4 and or IP67.

DIMENSIONS in Inch [mm]

# RB55 Circuit Board (Fits all Parts starting with RB55)



(REFERENCE ONLY)