






Anti-static series electronics pliers

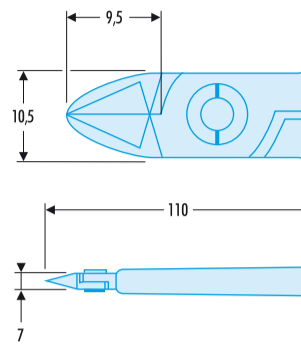
Compact models for manoeuvrability

▷ ISO 9654, DIN ISO 9654, NF ISO 9654.

- Slimmer bullet-nose profile combines cutting performance with manoeuvrability.
- Model 405 is suitable for cutting piano wire \varnothing 0.4 mm.

$\Delta\Delta$: 65 g.

	Cut	Cu - Ni wire \varnothing mm	Fe wire 30 HRc \varnothing mm
405.E		0,3 - 1,3	0,7
406.E		0,1 - 1,3	0,7
407.E		0,1 - 1,3	


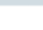



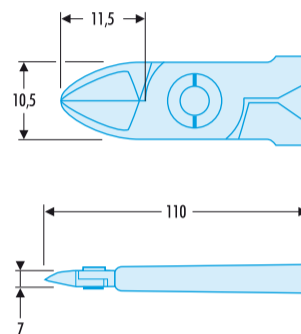
Stocky models for versatility

▷ ISO 9654, DIN ISO 9654, NF ISO 9654.

- Clean cut in a variety of materials, from copper to piano wire \rightarrow 0.5 mm.
- Available with offcut retaining system.

$\Delta\Delta$: 65 g.

	Cut	Cu - Ni wire \varnothing mm	Fe wire 30 HRc \varnothing mm	Offcut retainer
405.10E		0,3 - 1,4	0,8	
405.10RE		0,3 - 1,2	0,7	•


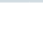

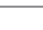



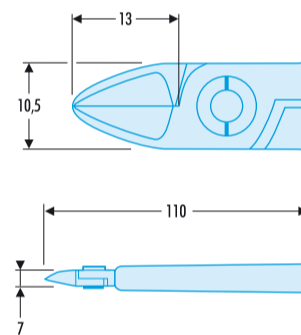
Long-reach models for accessibility

▷ ISO 9654, DIN ISO 9655, NF ISO 9654.

- Up to 1.5 to 2 mm more reach than standard cutting pliers
- Available with offcut retaining system.

$\Delta\Delta$: 65 g.

	Cut	Cu - Ni wire \varnothing mm	Fe wire 30 HRc \varnothing mm	Offcut retainer
425.E		0,1 - 1,3		
435.E		0,1 - 1,3	0,7	
435.RE		0,1 - 1,2	0,7	•







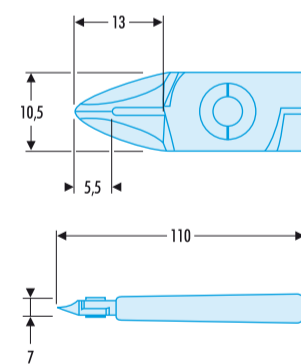
Slim-nose models with back clearance

▷ ISO 9654, DIN ISO 9655, NF ISO 9654.

- For cutting behind components and reaching under obstacles such as coils or resistors.
- Anti-static user-comfort type only.

$\Delta\Delta$: 65 g.

	Cut	Cu - Ni wire \varnothing mm	Fe wire 30 HRc \varnothing mm
436.E		0,1 - 1,2	0,7
426.E		0,1 - 1,2	


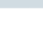





Heavy-duty models

▷ ISO 9654, DIN ISO 9654, NF ISO 9654.

- For tough applications and repetitive work on a wide range of materials.
- Piano wire : 405.12 C : 0.8 mm; 405.12 RC : 0.6 mm.
- Available with offcut retaining system.

$\Delta\Delta$: 105 g.

	Cut	Cu - Ni wire \varnothing mm	Cu - Ni wire \varnothing mm	Offcut retainer
405.12E		0,4 - 2,0	1,0	
405.12RE		0,4 - 1,5	0,9	•
415.E		0,3 - 2,0	1,0	
415.RE		0,3 - 1,5	0,8	•

