



## CPO

### GSM/3G Low Profile Puck Antenna

#### Features

- Low Profile Puck Antenna
- Supports GSM/3G frequencies
- Fully Waterproof when mounted
- Groundplane Independent

#### Specifications

|                   |                       |
|-------------------|-----------------------|
| Radiating element | 1/2 wave Element      |
| Frequency range   | 870-960/1710-2170 MHz |
| Peak gain         | 3 dBi                 |
| Polarisation      | Linear                |
| VSWR              | <2.5:1                |
| Power rating      | 10W                   |
| Cable / Connector | SMA-Male              |
| Dimensions        | 102 x 33.5mm (dxh)    |

#### Ordering Options

|                 |                                   |
|-----------------|-----------------------------------|
| FCPO35163-SM-1K | CPO with 1M RG-174 and SMA-Male   |
| FCPO35163-FM-2K | CPO with 2M RG-174 and FME-Female |
| FCPO35163-SM-2K | CPO with 2M RG-174 and SMA-Male   |

Specifications subject to change without notice.

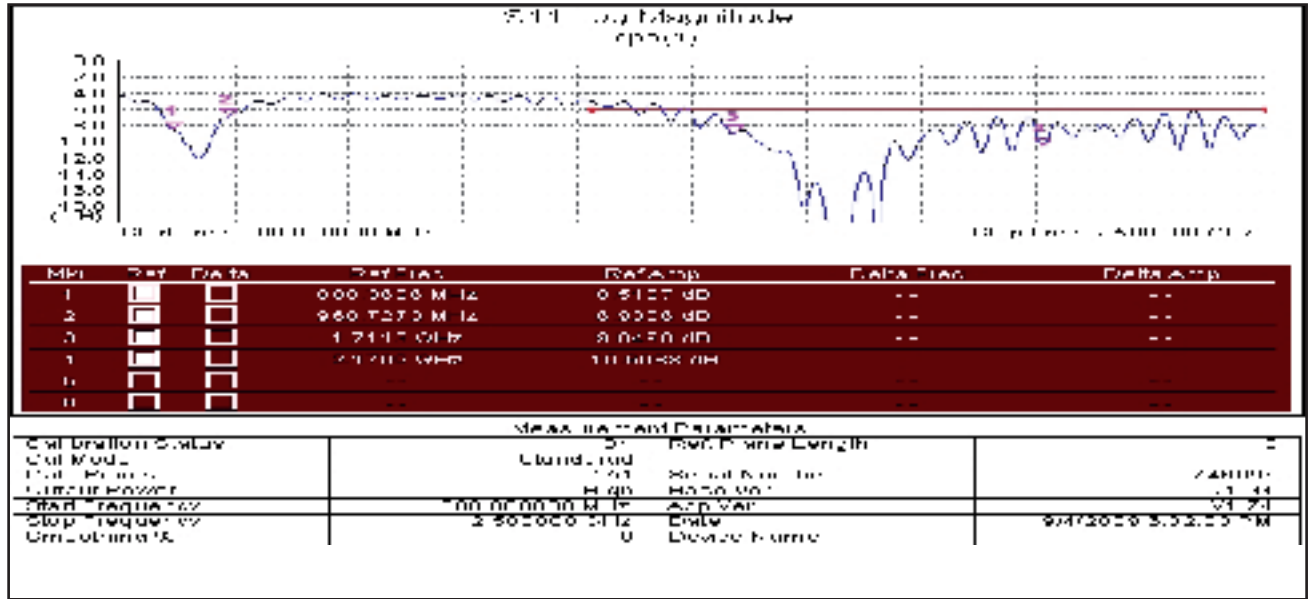


Westbase House, 2 Lodge Way, Severnbridge Industrial Estate,  
Caldicot, Monmouthshire, NP26 5PS

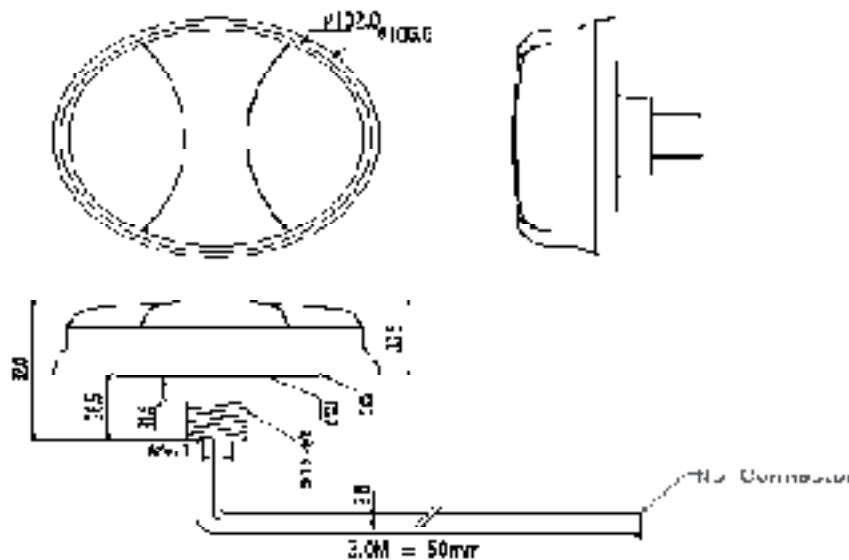
Tel: 01291 430567 | Email: sales@westbaseuk.com

## CPO | GSM/3G Low Profile Puck Antenna

### Return Loss



### Outline Drawing



Specifications subject to change without notice.



Westbase House, 2 Lodge Way, Severnbridge Industrial Estate,  
Caldicot, Monmouthshire, NP26 5PS

Tel: 01291 430567 | Email: sales@westbaseuk.com