

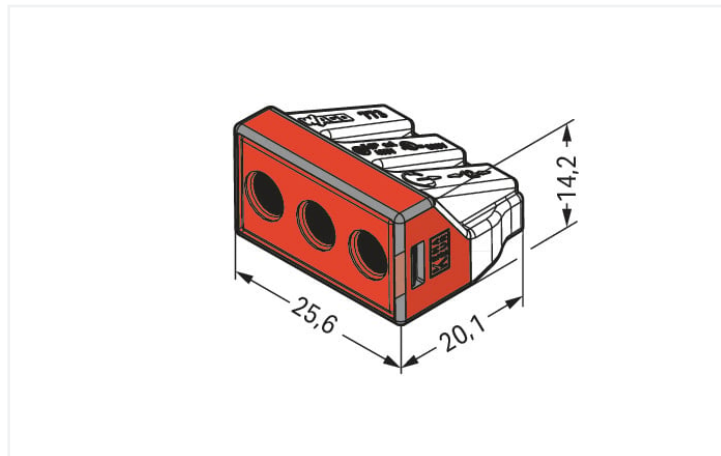
## Data Sheet | Item Number: 773-173

PUSH WIRE® connector for junction boxes; for solid and stranded conductors; max. 6 mm<sup>2</sup>; 3-conductor; transparent housing; red cover; Surrounding air temperature: max 60°C; 6,00 mm<sup>2</sup>; multicoloured

<https://www.wago.com/773-173>



Color:  multi-colored



Dimensions in mm

### Notes

Safety information

in grounded power lines

### Electrical data

Ratings per	IEC/EN 60664-1		
Overvoltage category	III	III	II
Pollution degree	3	2	2
Nominal voltage	-	-	400 V
Rated surge voltage	-	-	4 kV
Rated current	-	-	41 A

### Connection data

Connection points	3
Total number of potentials	1

#### Connection 1

Connection technology	PUSH WIRE®
Actuation type	Push-in
Connectable conductor materials	Copper Aluminum

## Connection 1

Connectable conductor materials (note)

### Terminating Aluminum Conductors

WAGO spring clamp terminal blocks are suitable for solid aluminum conductors up to 4 mm<sup>2</sup>/12 AWG if WAGO "Alu-Plus" Contact Paste [249-130](https://www.wago.com/249-130) is used for termination.

"Alu-Plus" Contact Paste Advantages:

- Automatically destroys the oxide film during clamping.
- Prevents fresh oxidation at the clamping point.
- Prevents electrolytic corrosion between aluminum and copper conductors (in the same terminal block).
- Provides long-term protection against corrosion.

For spring clamp connections with PUSH WIRE® connection technology, **WAGO recommends that the aluminum conductor first be cleaned** and then immediately inserted into the clamping unit filled with "Alu-Plus" contact paste.

It is also possible to apply WAGO "Alu-Plus" **additionally** on the whole surface of the aluminum conductor before termination.

Please note that the nominal currents must be adapted to the reduced conductivity of the aluminum conductors::

2.5 mm<sup>2</sup> = 16 A

4 mm<sup>2</sup> = 22 A

Solid conductor	2.5 ... 6 mm <sup>2</sup> / 14 ... 10 AWG
Stranded conductor	2.5 ... 6 mm <sup>2</sup> / 14 ... 10 AWG
Strip length	12 ... 13 mm / 0.47 ... 0.51 inches
Wiring direction	Side-entry wiring

## Physical data

Width	25.6 mm / 1.008 inches
Height	14.2 mm / 0.559 inches
Depth	20.1 mm / 0.791 inches

## Material data

Note (material data)	<a href="https://www.wago.com/us/material-specifications">Information on material specifications can be found here</a>
Color	multi-colored
Cover color	red
Flammability class per UL94	V2
Fire load	0.115 MJ
Weight	5.8 g

**Environmental requirements**

Ambient temperature (operation)	+60 °C
Continuous operating temperature	105 °C

**Commercial data**

eCl@ss 10.0	27-14-11-04
eCl@ss 9.0	27-14-11-04
ETIM 8.0	EC000446
ETIM 7.0	EC000446
PU (SPU)	500 (50) pcs
Packaging type	Box
Country of origin	CN
GTIN	4050821215141
Customs tariff number	85369010000

**Environmental Product Compliance**

RoHS Compliance Status	Compliant, No Exemption
------------------------	-------------------------

**Approvals / Certificates**

**General approvals**



Approval	Standard	Certificate Name
CSA DEKRA Certification B.V.	C22.2	15411 (LR46759)
ENEC 15 UL International Germany GmbH	EN 60998	ENEC-01207
UL UL International Germany GmbH	UL 486C	E69654

**Approvals for marine applications**



Approval	Standard	Certificate Name
ABS American Bureau of Ship- ping	-	18-HG1755093-PDA

**Downloads**

**Environmental Product Compliance**

Compliance Search
Environmental Product Compliance 773-173

**Documentation**

Bid Text			
773-173	19.02.2019	xml 3.24 KB	↓
773-173	17.05.2017	doc 25.00 KB	↓
ausschreiben.de 773-173			↓

## CAD/CAE-Data

CAD data	CAE data
2D/3D Models 773-173 ↓	EPLAN Data Portal 773-173 ↓
	WSCAD Universe 773-173 ↓
	ZUKEN Portal 773-173 ↓

## 1 Compatible Products

### 1.1 Optional Accessories

#### 1.1.1 Mounting adapter

##### 1.1.1.1 Mounting accessories



**Item No.: 773-332**

Mounting carrier; 773 Series - 2.5 mm<sup>2</sup> / 4 mm<sup>2</sup> / 6 mm<sup>2</sup>; for DIN-35 rail mounting/ screw mounting; orange

#### 1.1.2 Tool

##### 1.1.2.1 "Alu-Plus" contact paste



**Item No.: 249-130**

Syringe; Contents: 20 ml Alu-Plus contact paste