

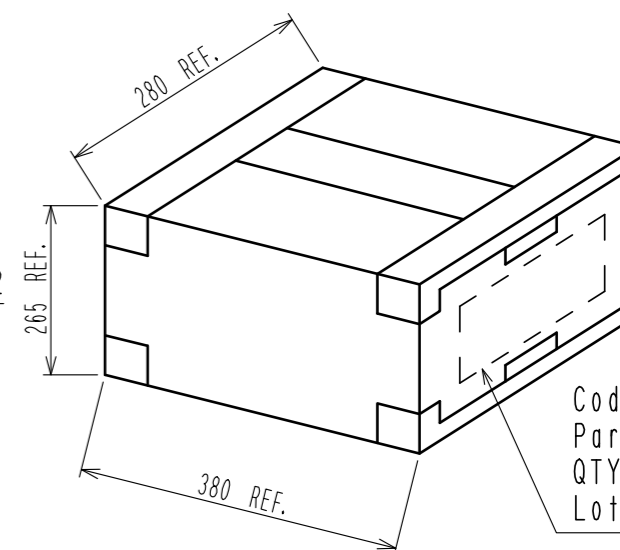
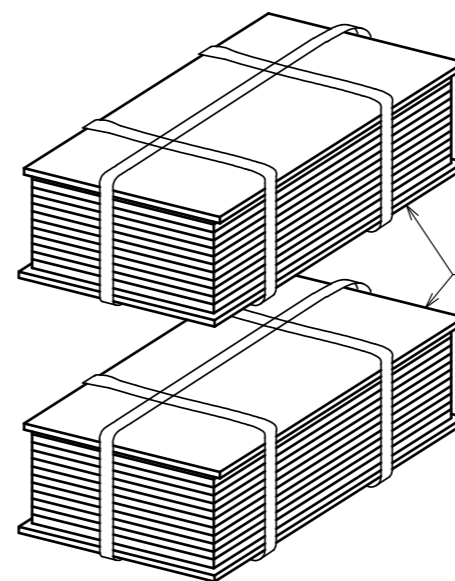
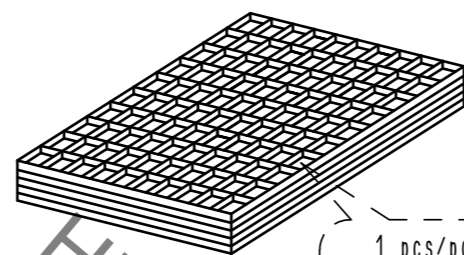
Jan.1.2022 Copyright 2022 HIROSE ELECTRIC CO., LTD. All Rights Reserved.  
In case of consideration for using Automotive equipment / device which demand high reliability, kindly contact our sales window correspondents.

### Fig-1 PACKING SPECIFICATION -IN THE CASE OF 2000 pcs-(FREE)

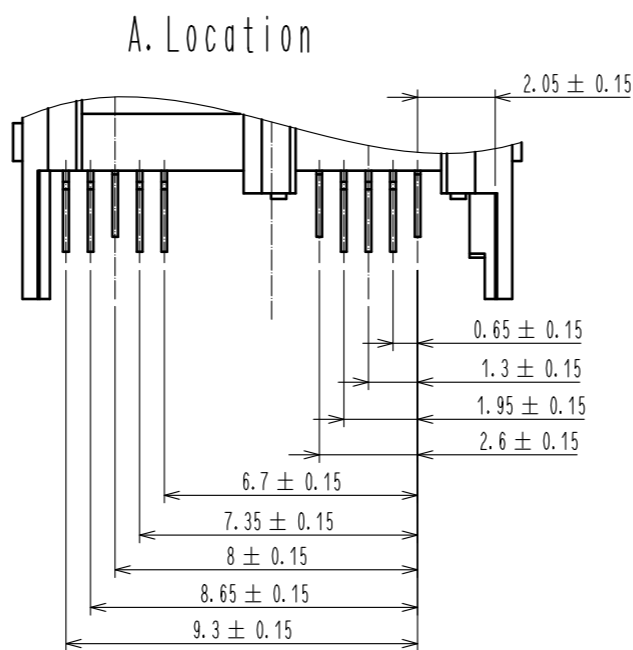
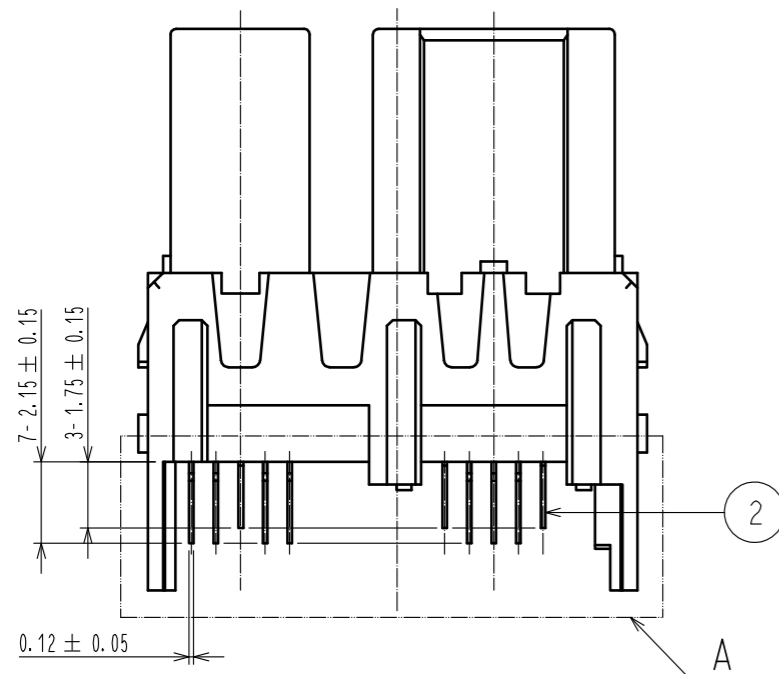
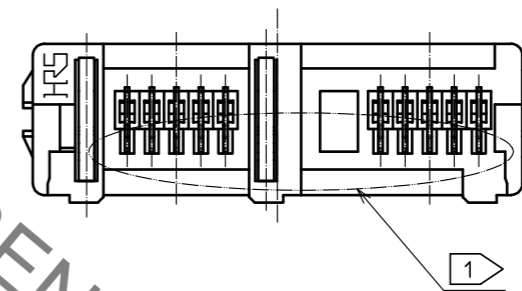
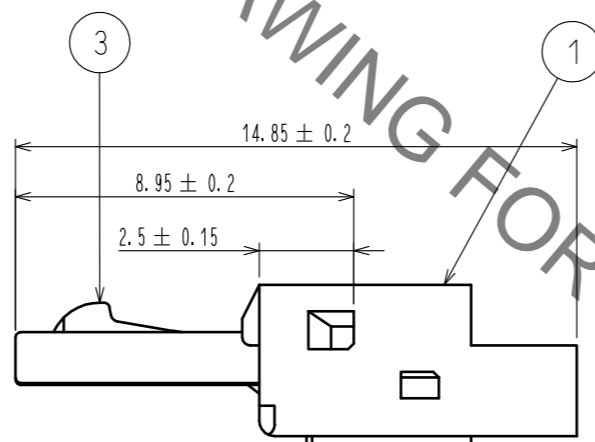
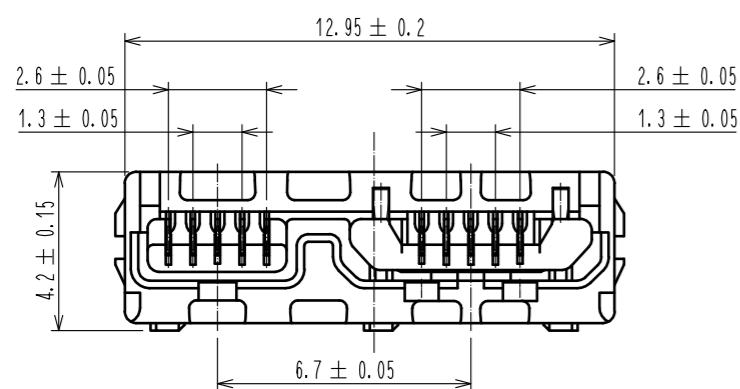
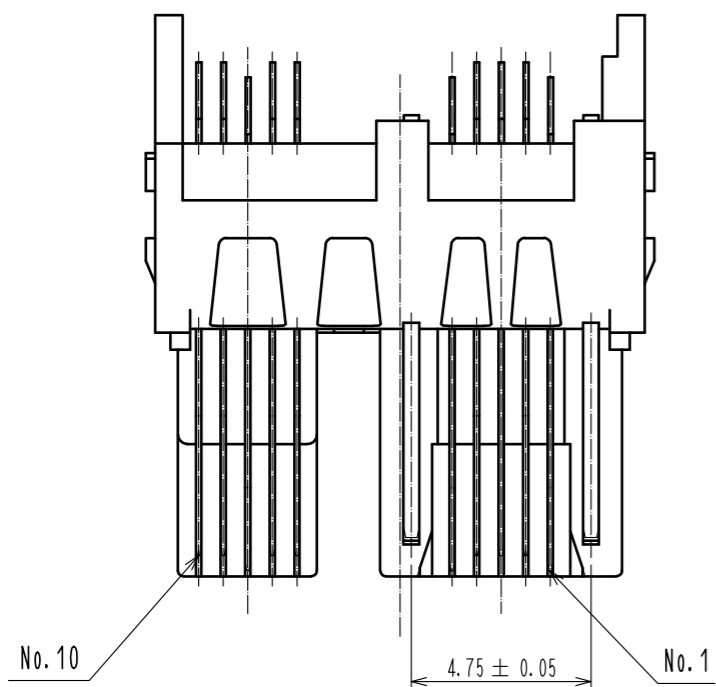
2. BIND THE TRAYS WITH CONNECTOR UNITS AS SHOWN BELOW.

3. SET THE TRAYS INSIDE THE CARDBOARD BOX.

1. PLACE THE CONNECTOR UNIT INTO THE TRAY.  
(100 pcs per tray)



Code No.  
Part No.  
QTY  
Lot No.



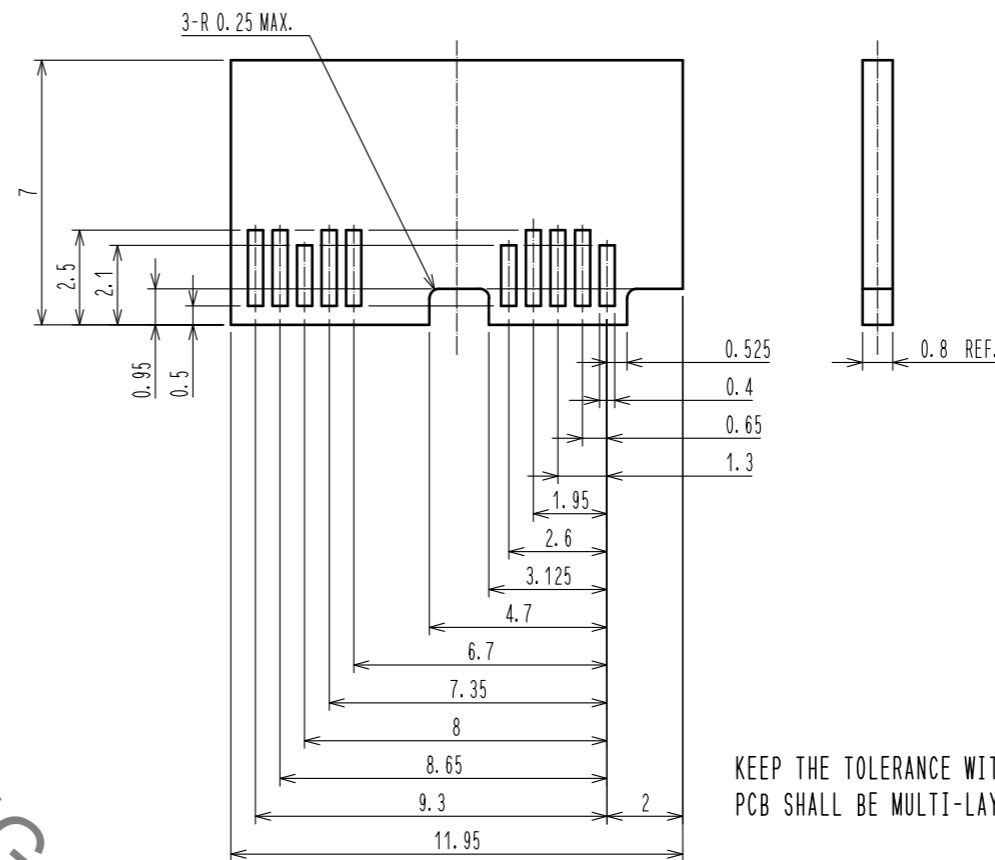
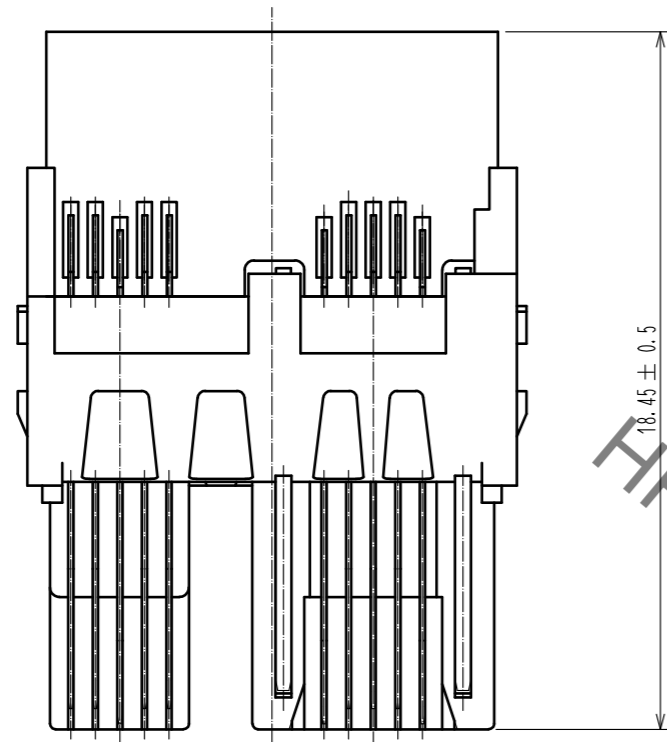
△	Halogen-Free
△	Lead Free Process
△	RoHS Compliant

2	COPPER ALLOY	CONTACT AREA:GOLD PLATING 0.75μm min MOUNTING AREA:TIN PLATING 1μm min UNDER PLATING:NICKEL PLATING 2μm min	3	STAINLESS STEEL	
1	LCP	UL94V-0 , BLACK			
NO.	MATERIAL	FINISH . REMARKS	NO.	MATERIAL	FINISH . REMARKS
UNITS		SCALE	COUNT	DESCRIPTION OF REVISIONS	
mm		5 : 1	△ 1	DIS-E-00001801	
APPROVED : NM. NISHIMATSU 20151027			DRAWING NO. EDC-127029-30-00		
CHECKED : KN. ICHIKAWA 20151027			PART NO. ZX360-B-10S-UNIT(30)		
DESIGNED : TS. ITO 20151027			CODE NO. CL242-0501-4-30		
DRAWN : AK. AKIYAMA 20151027			DATE 20181004		
HIROSE ELECTRIC CO., LTD.			DESIGNED YS. SAKODA CHECKED AH. KODAMA		

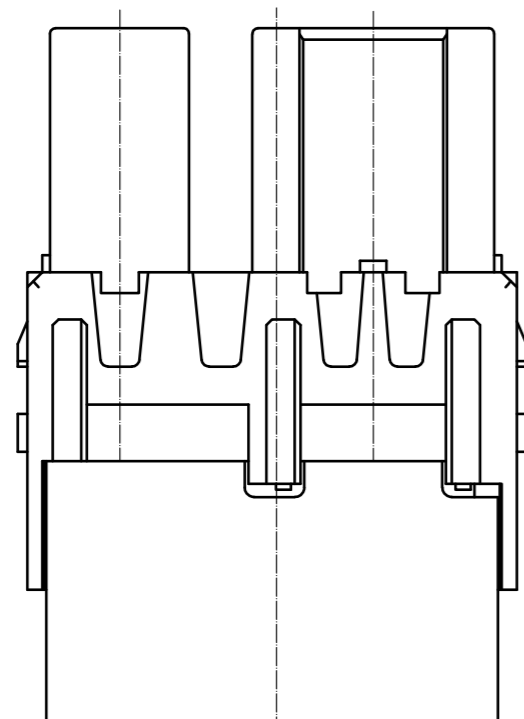
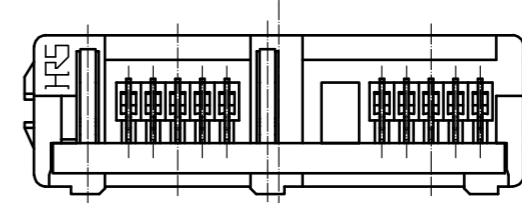
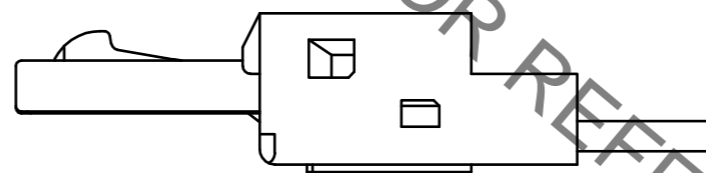
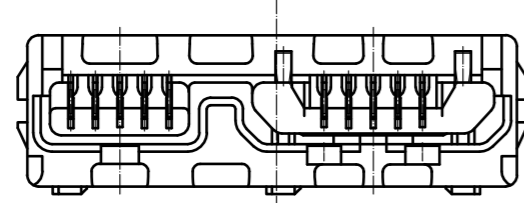
Jan.1.2022 Copyright 2022 HIROSE ELECTRIC CO., LTD. All Rights Reserved.  
In case of consideration for using Automotive equipment / device which demand high reliability, kindly contact our sales window correspondents.

Fig-2. CONNECTOR MOUNTED ON PCB

PCB LAYOUT FOR REFERENCE



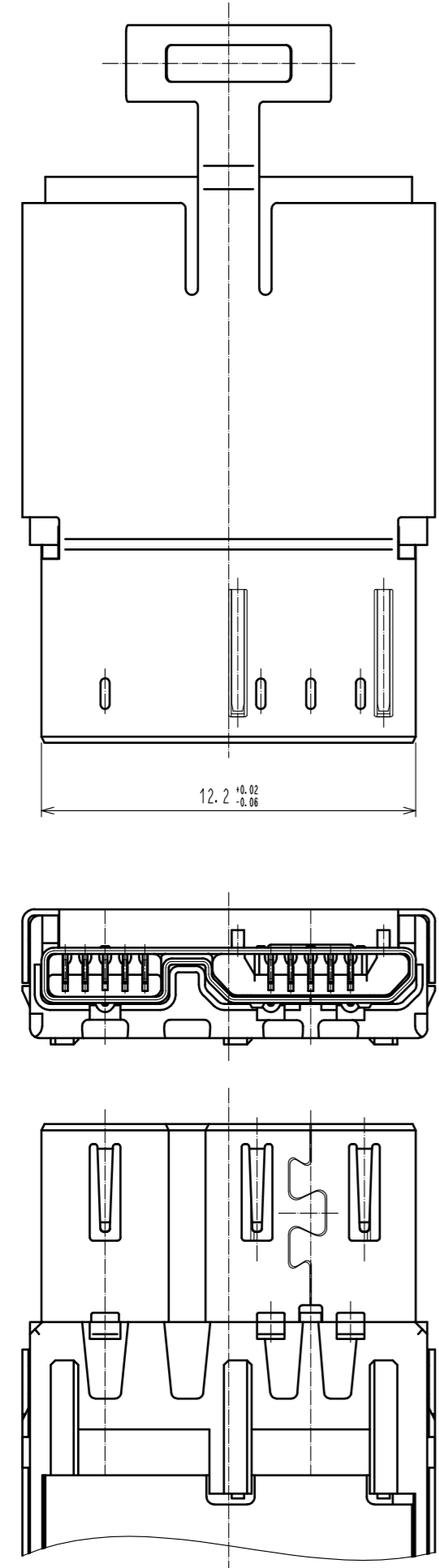
KEEP THE TOLERANCE WITHIN MAX±0.05  
PCB SHALL BE MULTI-LAYER PCB INCLUDING FULL GROUND LAYER.



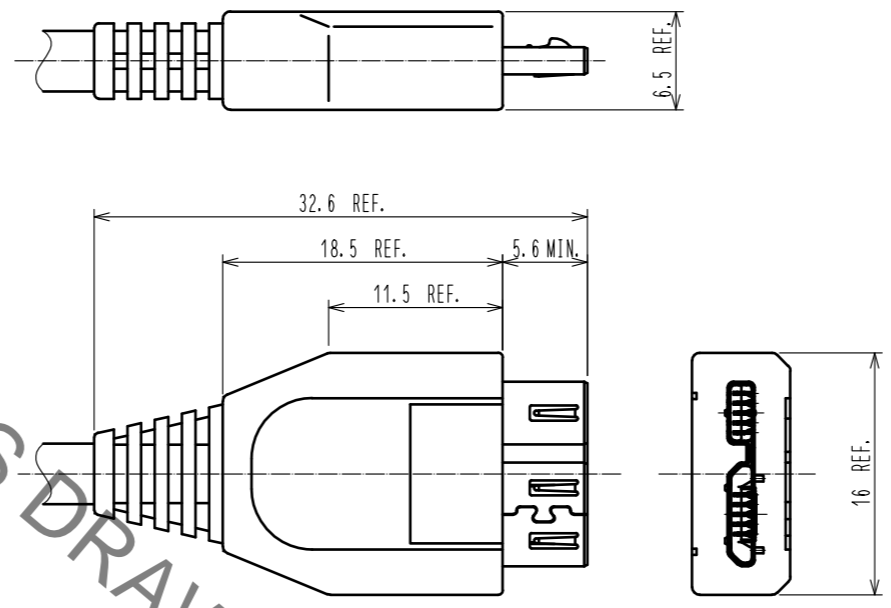
<b>HRS</b>	DRAWING NO.	EDC-127029-30-00
	PART NO.	ZX360-B-10S-UNIT(30)
	CODE NO.	CL242-0501-4-30
		2/3

Jan.1.2022 Copyright 2022 HIROSE ELECTRIC CO., LTD. All Rights Reserved.  
 In case of consideration for using Automotive equipment / device which demand high reliability, kindly contact our sales window correspondents.

Fig-3 SHIELDING-PLATE ASSEMBLY



OVER-MOLDING (REFERENCE) (FREE)



ZX360-B-SLDA(SOLD SEPARATELY)

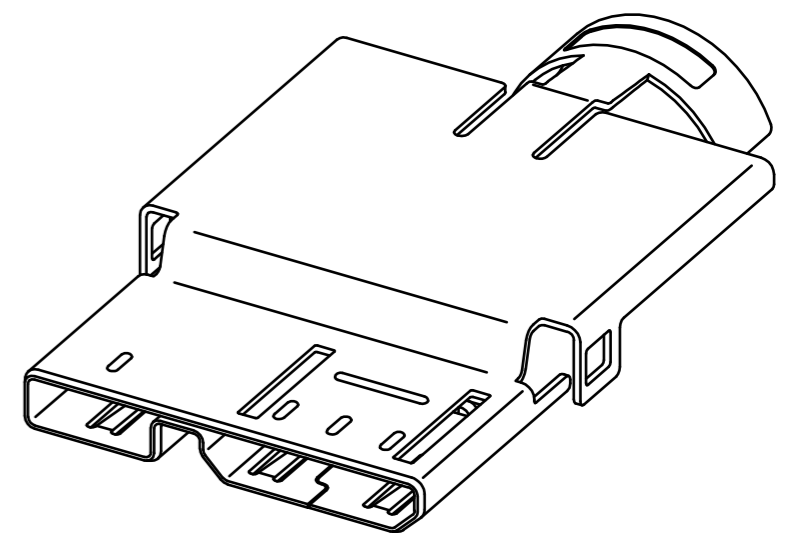
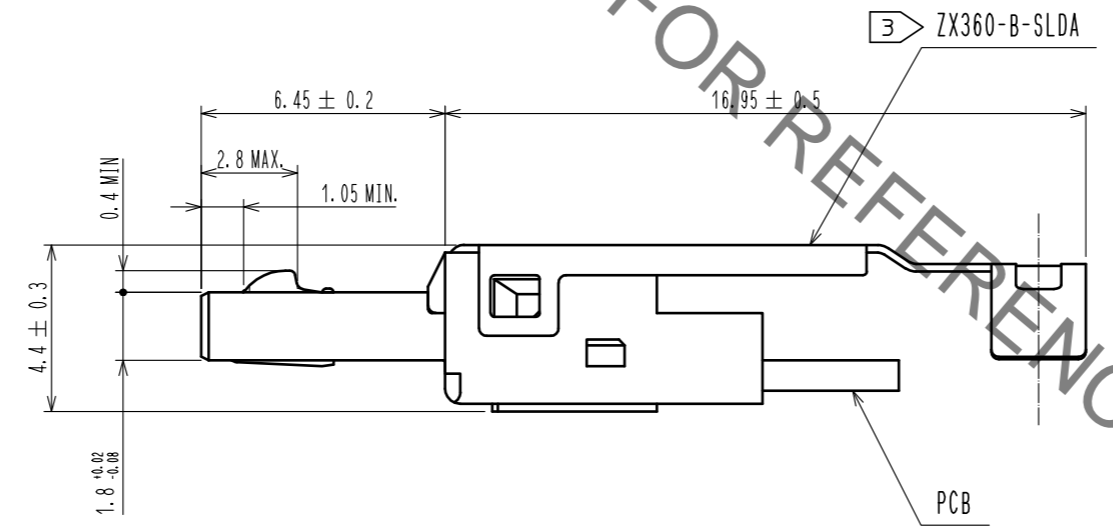
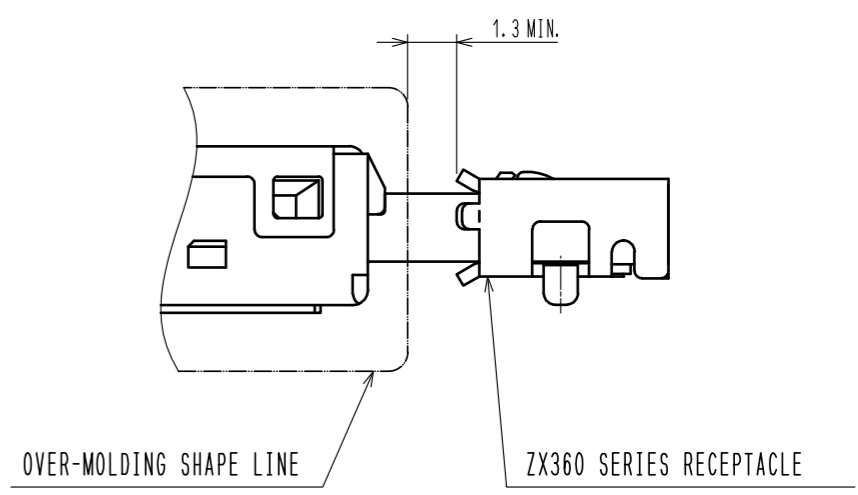


Fig-4 MATED WITH CORRESPONDING PLUG



HRS DRAWING FOR REFERENCE

<b>HRS</b>	DRAWING NO.	EDC-127029-30-00
	PART NO.	ZX360-B-10S-UNIT(30)
	CODE NO.	CL242-0501-4-30
		3/3

# Mouser Electronics

Authorized Distributor

Click to View Pricing, Inventory, Delivery & Lifecycle Information:

[Hirose Electric:](#)

[ZX360-B-10S-UNIT\(30\)](#)