

# ST-OV2- 24DC/ 24DC/5 - Solid-state relays



2905491

<https://www.phoenixcontact.com/us/products/2905491>

Please be informed that the data shown in this PDF document is generated from our Online Catalog. Please find the complete data in the user documentation. Our General Terms of Use for Downloads are valid.



Plug-in power solid-state relay, with LED and protective circuit in input and output circuits, input: 24 V DC, output: 3 - 30 V DC/max. 5 A, can be plugged into basic terminal blocks

## Commercial Data

Item number	2905491
Packing unit	1 pc
Minimum order quantity	1 pc
Sales Key	C460
Product Key	CK61B2
Catalog Page	Page 91 (IF-2005)
GTIN	4017918079444
Weight per Piece (including packing)	42.17 g
Weight per Piece (excluding packing)	34.39 g
Customs tariff number	85364190
Country of origin	DE

# ST-OV2- 24DC/ 24DC/5 - Solid-state relays



2905491

<https://www.phoenixcontact.com/us/products/2905491>

## Technical Data

### Product properties

Product type	Single solid-state relay
--------------	--------------------------

### Electrical properties

Test voltage (Input/output)	2.5 kV AC (Input/output)
-----------------------------	--------------------------

### Input data

Nominal input voltage $U_N$	24 V DC
Input voltage range in reference to $U_N$	0.8 ... 1.2
Input voltage range	19.2 V DC ... 28.8 V DC
Switching threshold "0" signal in reference to $U_N$	$\leq 0.4$
Switching threshold "1" signal in reference to $U_N$	$\geq 0.8$
Typical input current at $U_N$	7 mA
Typical response time	50 $\mu$ s
Typical turn-off time	200 $\mu$ s
Status display	Yellow LED
Protective circuit	Reverse polarity protection; Polarity protection diode Surge protection
Transmission frequency	300 Hz

### Output data

Design of digital output	electronic
Output voltage range	3 V DC ... 30 V DC
Limiting continuous current	5 A (see derating curve)
Peak offstate voltage	30 V DC (Collector-emitter reverse voltage)
Voltage drop at max. limiting continuous current	0.3 V
Output circuit	2-conductor, floating
Protective circuit	Reverse polarity protection; Polarity protection diode Surge protection

### Dimensions

Width	14.6 mm
Height	33 mm
Depth	66.5 mm

### Environmental and real-life conditions

#### Ambient conditions

Ambient temperature (operation)	-20 °C ... 60 °C
Ambient temperature (storage/transport)	-20 °C ... 70 °C

### Standards and regulations

# ST-OV2- 24DC/ 24DC/5 - Solid-state relays



2905491

<https://www.phoenixcontact.com/us/products/2905491>

Standards/regulations	IEC 60664
	IEC 60664A
	DIN VDE 0110

## Mounting

Mounting position	any
-------------------	-----

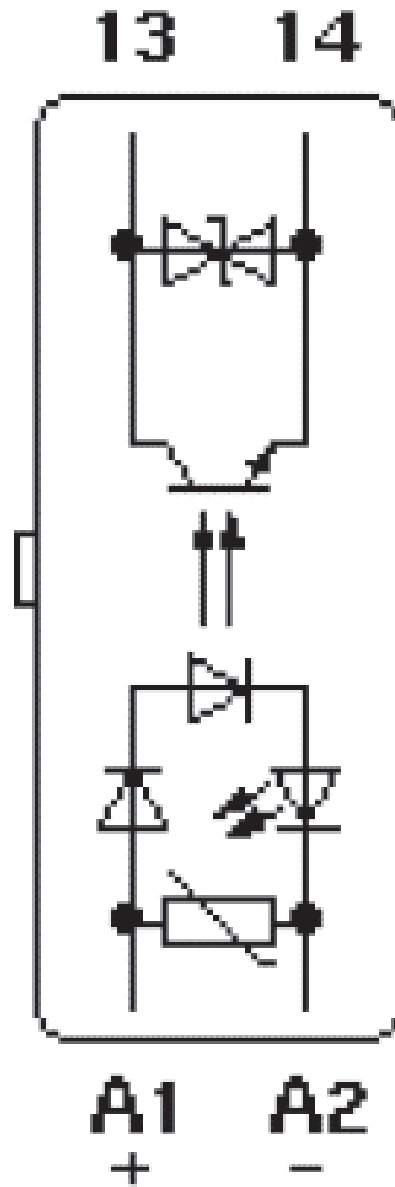
# ST-OV2- 24DC/ 24DC/5 - Solid-state relays

2905491

<https://www.phoenixcontact.com/us/products/2905491>

## Drawings

Circuit diagram

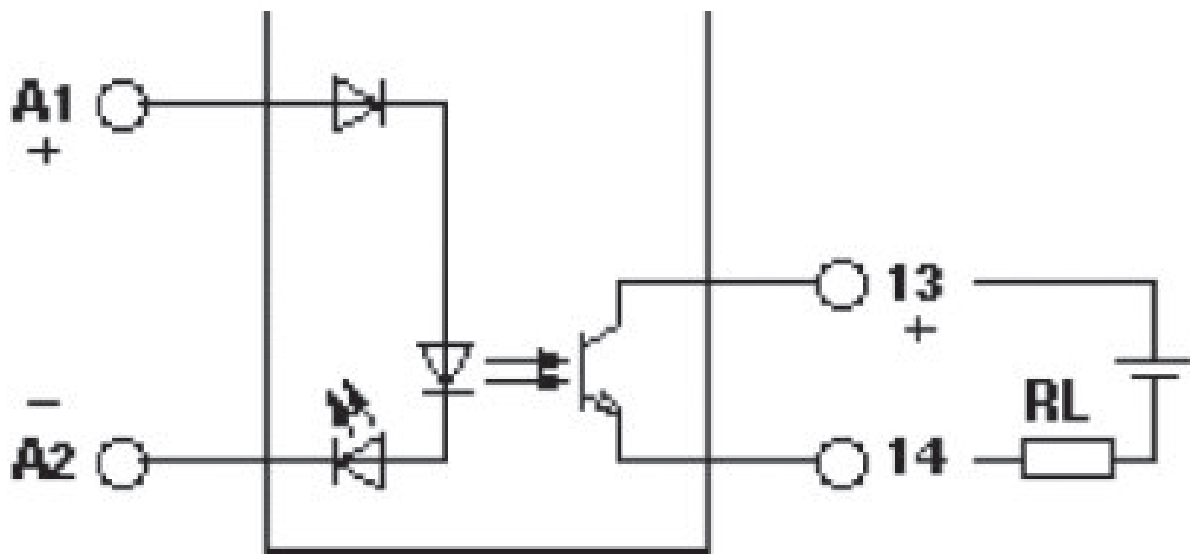


# ST-OV2- 24DC/ 24DC/5 - Solid-state relays

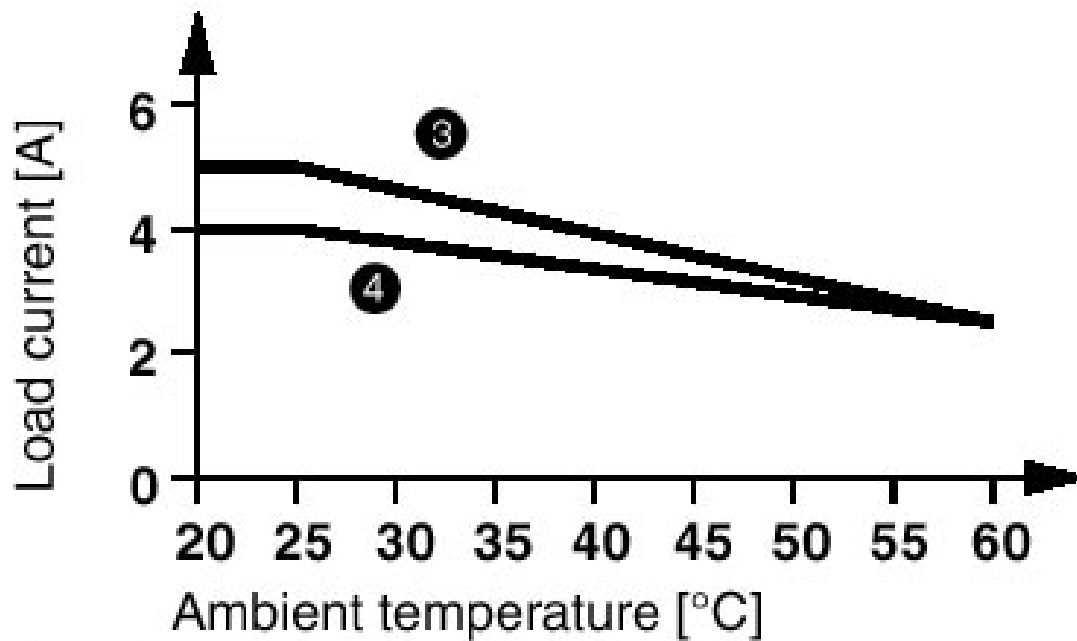
2905491

<https://www.phoenixcontact.com/us/products/2905491>

Circuit diagram



Diagram



- ③ power optocouplers mounted in rows with zero spacing, horizontally, or with spacing of > 10 mm, vertically.
- ④ power optocouplers mounted in rows with zero spacing, vertically.

# ST-OV2- 24DC/ 24DC/5 - Solid-state relays



2905491

<https://www.phoenixcontact.com/us/products/2905491>

## Approvals

To download certificates, visit the product detail page: <https://www.phoenixcontact.com/us/products/2905491>



**EAC**

Approval ID: TR\_TS\_D\_00573\_c

# ST-OV2- 24DC/ 24DC/5 - Solid-state relays



2905491

<https://www.phoenixcontact.com/us/products/2905491>

## Classifications

### ECLASS

ECLASS-11.0	27371604
ECLASS-12.0	27371604
ECLASS-13.0	27371604

### ETIM

ETIM 8.0	EC001504
----------	----------

### UNSPSC

UNSPSC 21.0	39122300
-------------	----------



# ST-OV2- 24DC/ 24DC/5 - Solid-state relays



2905491

<https://www.phoenixcontact.com/us/products/2905491>

## Environmental Product Compliance

REACH SVHC	Lead 7439-92-1
	Hexahydromethylphthalic anhydride
China RoHS	Environmentally Friendly Use Period = 50 years
	For information on hazardous substances, refer to the manufacturer's declaration available under "Downloads"

# ST-OV2- 24DC/ 24DC/5 - Solid-state relays

2905491

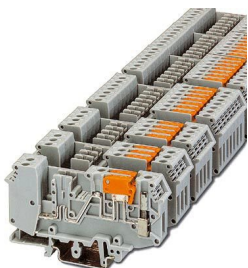
<https://www.phoenixcontact.com/us/products/2905491>

## Mandatory Accessories

### URELG 2-PMTK - Basic terminal block

2820835

<https://www.phoenixcontact.com/us/products/2820835>



Basic termination blocks with test connection on both sides and knife disconnection for NS 32 and NS 35/7.5 DIN rail, with end cover, for ST-REL..., ST-OV... and ST-OE... plugs, 2-pos.

---

### UDK-RELG 2 - Basic terminal block

2777030

<https://www.phoenixcontact.com/us/products/2777030>



Basic termination blocks with test connection on both sides and double connections with the same potential for NS 32 and NS 35/7.5 DIN rail, with end cover, for ST-REL..., ST-OV... and ST-OE... plugs, 2-pos.

# ST-OV2- 24DC/ 24DC/5 - Solid-state relays

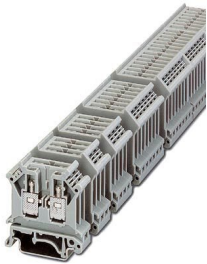
2905491

<https://www.phoenixcontact.com/us/products/2905491>

## URELG 2 - Basic terminal block

2820262

<https://www.phoenixcontact.com/us/products/2820262>



Basic termination blocks with screw connection for NS 32 and NS 35/7.5 DIN rail, with end cover, for ST-REL..., ST-OV... and ST-OE... plugs, 2-pos.

---

## ZFK-RELG 2 - Basic terminal block

2829904

<https://www.phoenixcontact.com/us/products/2829904>



Basic termination blocks with spring-cage connection for NS 35/7.5 DIN rail, with end cover, for ST-REL..., ST-OV... and ST-OE... plugs, 2-pos.

---

## Accessories

# ST-OV2- 24DC/ 24DC/5 - Solid-state relays

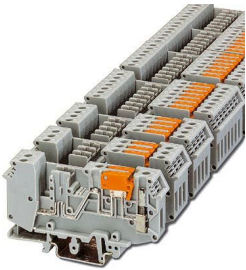
2905491

<https://www.phoenixcontact.com/us/products/2905491>

## URELG 2-PMTK - Basic terminal block

2820835

<https://www.phoenixcontact.com/us/products/2820835>



Basic termination blocks with test connection on both sides and knife disconnection for NS 32 and NS 35/7.5 DIN rail, with end cover, for ST-REL..., ST-OV... and ST-OE... plugs, 2-pos.

---

## UDK-RELG 2 - Basic terminal block

2777030

<https://www.phoenixcontact.com/us/products/2777030>



Basic termination blocks with test connection on both sides and double connections with the same potential for NS 32 and NS 35/7.5 DIN rail, with end cover, for ST-REL..., ST-OV... and ST-OE... plugs, 2-pos.

# ST-OV2- 24DC/ 24DC/5 - Solid-state relays



2905491

<https://www.phoenixcontact.com/us/products/2905491>

## URELG 2 - Basic terminal block

2820262

<https://www.phoenixcontact.com/us/products/2820262>



Basic termination blocks with screw connection for NS 32 and NS 35/7.5 DIN rail, with end cover, for ST-REL..., ST-OV... and ST-OE... plugs, 2-pos.

---

## ZFK-RELG 2 - Basic terminal block

2829904

<https://www.phoenixcontact.com/us/products/2829904>



Basic termination blocks with spring-cage connection for NS 35/7.5 DIN rail, with end cover, for ST-REL..., ST-OV... and ST-OE... plugs, 2-pos.

---

Phoenix Contact 2023 © - all rights reserved  
<https://www.phoenixcontact.com>

Phoenix Contact USA  
586 Fulling Mill Road  
Middletown, PA 17057, United States  
(+717) 944-1300  
[info@phoenixcon.com](mailto:info@phoenixcon.com)