

VS-EC-MSDB SH SCO - Device connector front mounting



1440711

<https://www.phoenixcontact.com/us/products/1440711>

Please be informed that the data shown in this PDF document is generated from our Online Catalog. Please find the complete data in the user documentation. Our General Terms of Use for Downloads are valid.



Device connector front mounting, 4-position, Socket, straight, M12-SPEEDCON, Rear mounting, M12 x 1, Solder pins, Alternative product in accordance with RoHS II without Exemption 6c (Pb <0.1%) item no.: 1239709

Your advantages

- Easy PCB assembly: one-piece connectors for wave soldering
- For high transmission reliability: optional shield connection to the housing by means of shield contact
- SPEEDCON fast locking system reduces cabling times

Commercial Data

Item number	1440711
Packing unit	1 pc
Minimum order quantity	20 pc
Sales Key	AB28
Product Key	ABQSAI
Catalog Page	Page 205 (C-2-2013)
GTIN	4046356554053
Weight per Piece (including packing)	11.185 g
Weight per Piece (excluding packing)	11.185 g
Customs tariff number	85366990
Country of origin	DE

VS-EC-MSDB SH SCO - Device connector front mounting



1440711

<https://www.phoenixcontact.com/us/products/1440711>

Technical Data

Mounting

Mounting type	Rear mounting M12 x 1 With locking nut
Assembly instructions	With locking nut

Product properties

Product type	Circular connectors (device side)
Number of positions	4
Shielded	yes

Material specifications

Flammability rating according to UL 94	V0
Contact material	Cu alloy
Contact surface material	Gold over nickel
Material for screw connection	Zinc die-cast, nickel-plated

Electrical properties

Nominal voltage U_N	30 V
Nominal current I_N	1 A

Connection data

Conductor connection

Connection method	Solder pins
-------------------	-------------

Connector

Connection 1

Head design	Socket
Head cable outlet	straight
Head thread type	M12
Head locking type	SPEEDCON

Cable/line

Shielded	yes
----------	-----

Environmental and real-life conditions

Ambient conditions

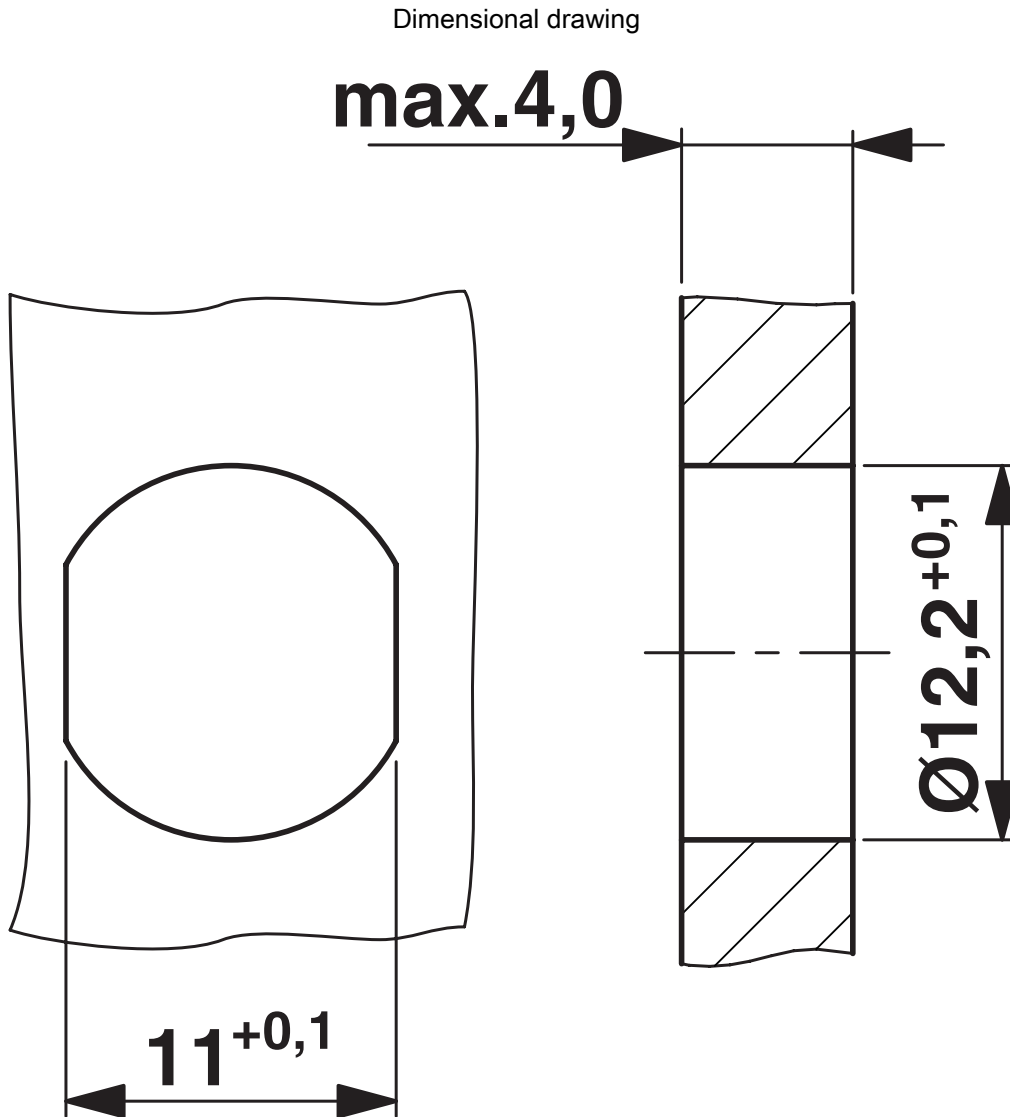
Degree of protection	IP67
	IP67
Ambient temperature (operation)	-25 °C ... 85 °C (Plug / socket)

VS-EC-MSDB SH SCO - Device connector front mounting

1440711

<https://www.phoenixcontact.com/us/products/1440711>

Drawings



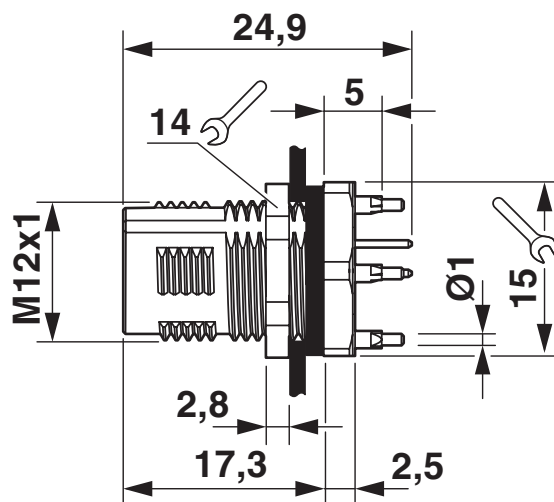
Housing cutout for M12 fastening thread, mounting panel with feed-through hole (alternative with surface as protection against rotation)

VS-EC-MSDB SH SCO - Device connector front mounting

1440711

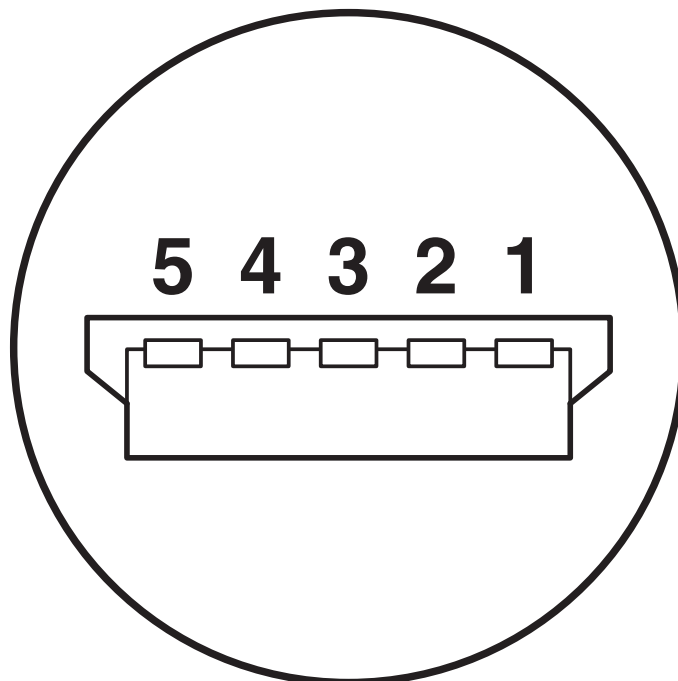
<https://www.phoenixcontact.com/us/products/1440711>

Dimensional drawing



M12 flush-type connector

Schematic diagram



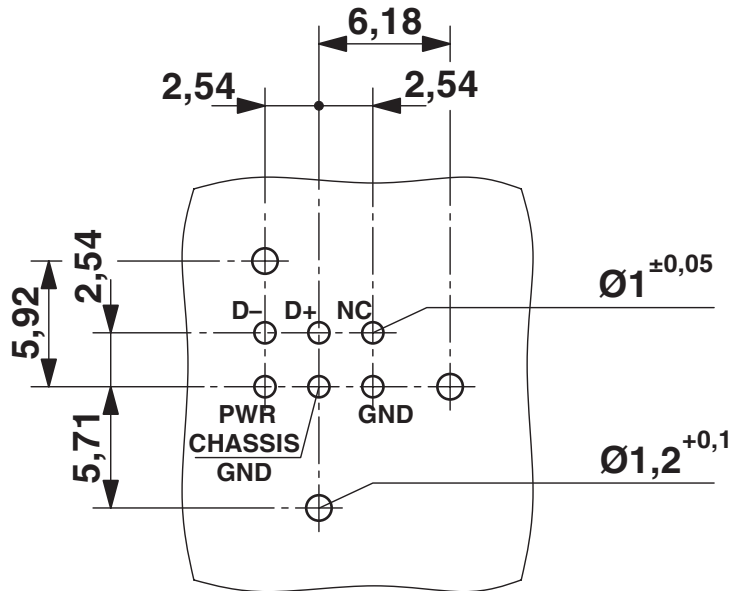
Connector pin assignment

VS-EC-MSDB SH SCO - Device connector front mounting

1440711

<https://www.phoenixcontact.com/us/products/1440711>

Drilling plan/solder pad geometry



VS-EC-MSDB SH SCO - Device connector front mounting



1440711

<https://www.phoenixcontact.com/us/products/1440711>

Approvals



EAC

Approval ID: B.01687

VS-EC-MSDB SH SCO - Device connector front mounting



1440711

<https://www.phoenixcontact.com/us/products/1440711>

Classifications

ECLASS

ECLASS-10.0.1	27440102
ECLASS-9.0	27440102
ECLASS-11.0	27440102
ECLASS-12.0	27440116
ECLASS-13.0	27440116

ETIM

ETIM 8.0	EC002635
----------	----------

UNSPSC

UNSPSC 21.0	39121400
-------------	----------

VS-EC-MSDB SH SCO - Device connector front mounting



1440711

<https://www.phoenixcontact.com/us/products/1440711>

Environmental Product Compliance

REACH SVHC	Lead 7439-92-1
China RoHS	Environmentally Friendly Use Period = 50 years
	For information on hazardous substances, refer to the manufacturer's declaration available under "Downloads"

VS-EC-MSDB SH SCO - Device connector front mounting



1440711

<https://www.phoenixcontact.com/us/products/1440711>

Accessories

PROT-M12 FS-PA-CHAIN-EYE-DM12 - Sealing cap

1456187

<https://www.phoenixcontact.com/us/products/1456187>



M12 sealing cap made of plastic with fixing band, for free M12 plugs with 12.0 mm fastening eye

Phoenix Contact 2023 © - all rights reserved
<https://www.phoenixcontact.com>

Phoenix Contact USA
586 Fulling Mill Road
Middletown, PA 17057, United States
(+717) 944-1300
info@phoenixcon.com