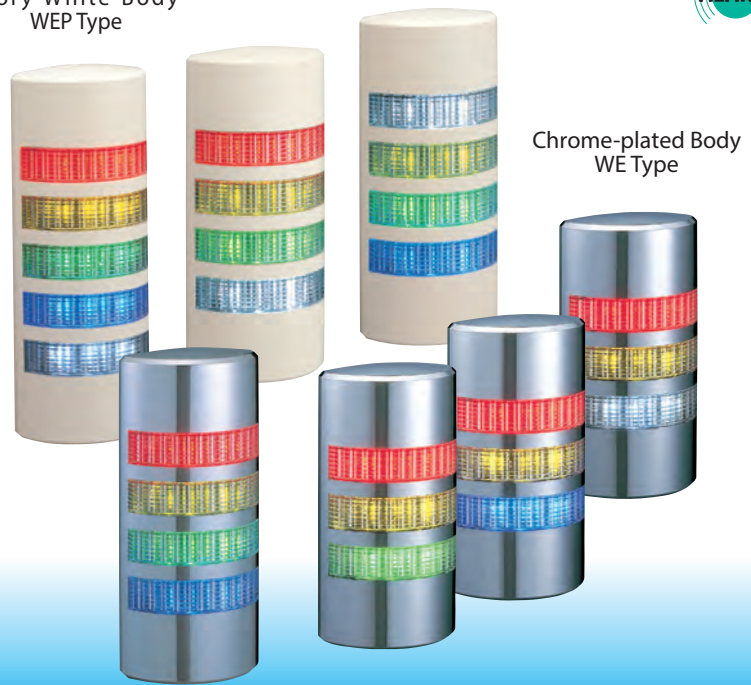


# WE/WEP

## Signal Tower



Ivory White Body  
WEP Type



Chrome-plated Body  
WE Type

LED



2 Alarm Sounds (FB Type)

90dB at 1m (FB Type)

IP65 (FB Type: IP54)

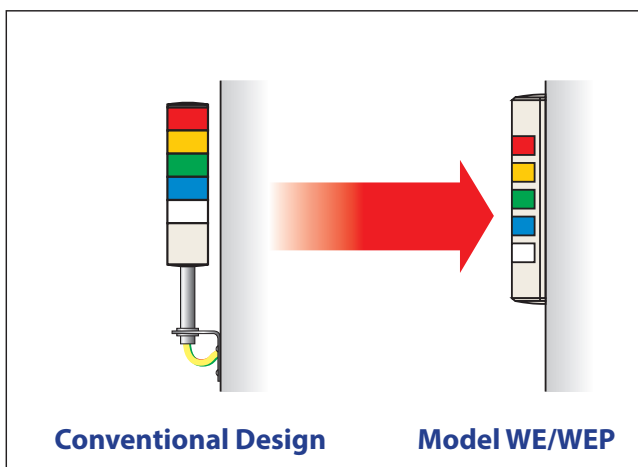
NPN/PNP  
Open-collector

## Ultra slim half-moon shaped Signal Tower offers seamless integration with most equipment.

### FEATURES

- Clear vertical-cut lens for enhanced illumination over a wide perspective.
- Has an optional built-in audible alarm (FB type) with an output of 90dB (at 1m).
- Installation can be vertical or horizontal.
- Two body color selections of chrome plated or ivory white.
- Lens made of superior impact and heat resistant polycarbonate resin for superior durability and enhanced illumination.
- Both NPN and PNP Compatible for direct connection to a PLC (24V DC ONLY)
- Two lighting patterns of flashing and continuous lighting.
- Dust and water resistance rating of IP65 (except for FB type: IP54).
- Available colors are in Red, Amber, Green, Blue, and Clear/White.
- Has the CE mark and conforms to the requirements for the EC directive.
- Is a UL Recognized Component (File No. E215660).

### 37.5mm Super-thin Design!

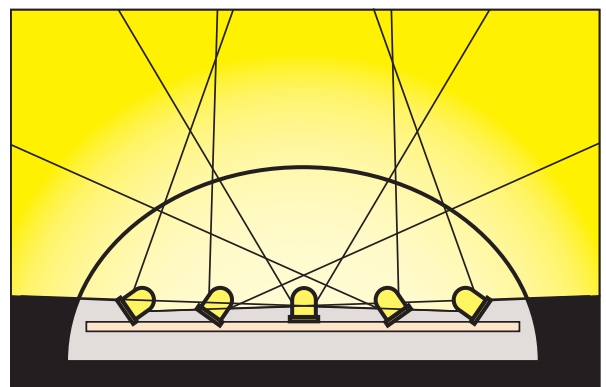


Conventional Design

Model WE/WEP

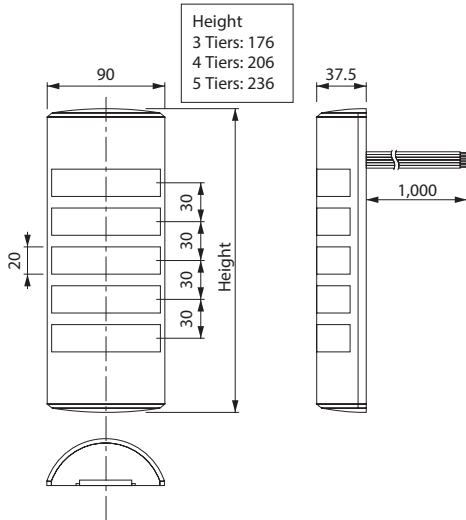
Patlite has perfected a 37.5mm-thin design that significantly enhances integration with the equipment as a built-in signal system.

### Exclusively New LED Lighting Design

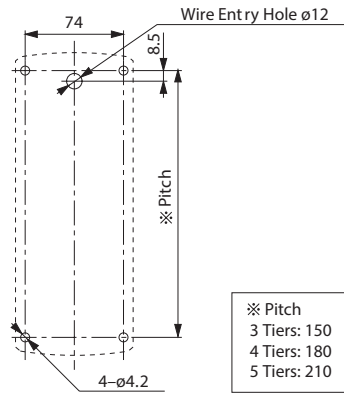


Patlite has created a revolutionary patented lighting design in which multiple LEDs project light across a broad peripheral area, ensuring equal intensity at the sides as well as the front. This design, with its side-projection technology, is a unique achievement in signal light design.

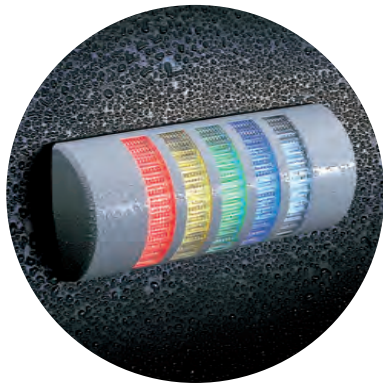
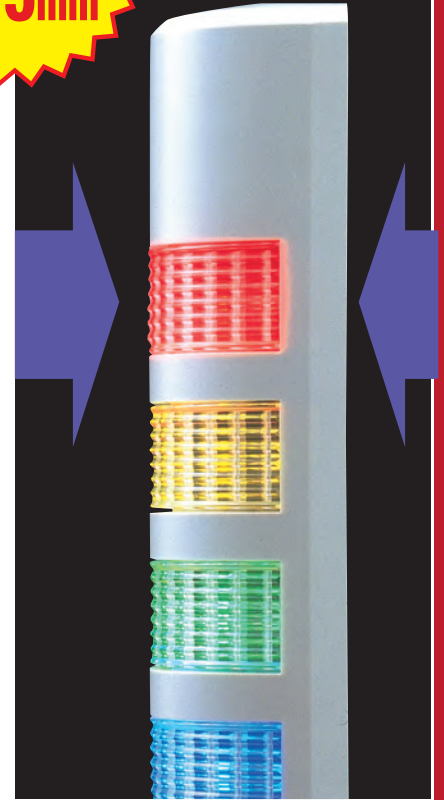
## Dimensions (Unit: mm)



### Mounting Dimensions

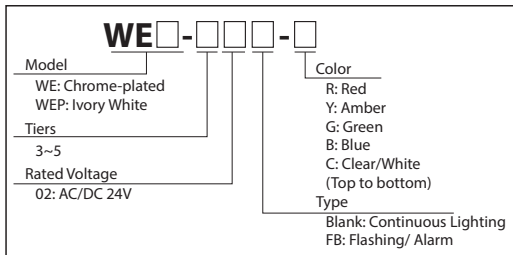


**JUST 37.5mm**



**IP65 construction is safe for installation in damp locations and dusty factory environments.**

## How to Order



## Specifications

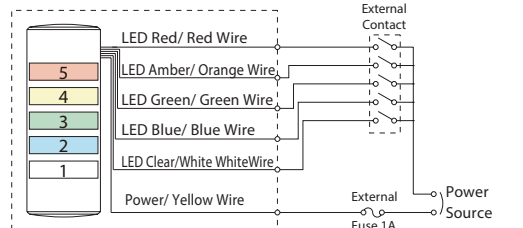
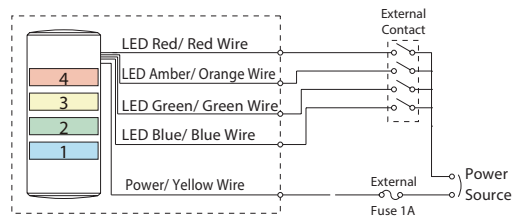
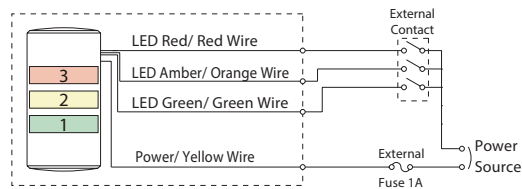
Stack Number	Model	Rated Voltage	Power Consumption	Mass
3 Tiers	WE(P)-302	AC/DC 24V	1.7W	260g
	WE(P)-302FB		2.7W	300g
4 Tiers	WE(P)-402		2.0W	310g
	WE(P)-402FB		3.2W	350g
5 Tiers	WE(P)-502		2.7W	310g
	WE(P)-502FB		3.7W	350g

Alarm Sounds	Lead Wire Color
Buzzer 1	Purple
Buzzer 2	Skyblue

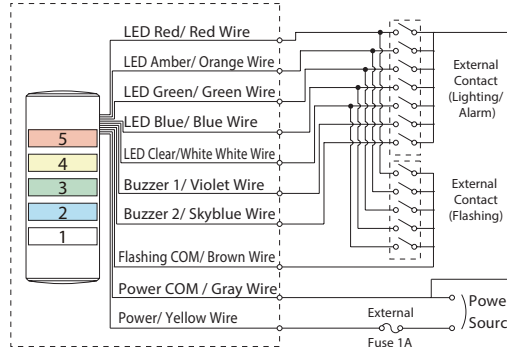
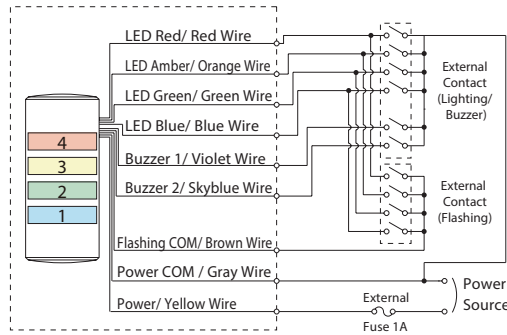
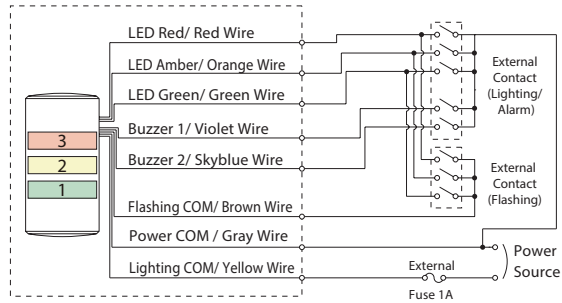
Model	Rated Voltage	Signal Line Voltage	Signal Line voltage and current per LED Module			
			LED		Alarm	
			Signal Line Current		Signal Line Current	Inrush Current
WE/WEP	AC/DC 24V	AC/DC 24V	R, Y 30mA	G, B, C 25mA	40mA	250mA

# Wiring

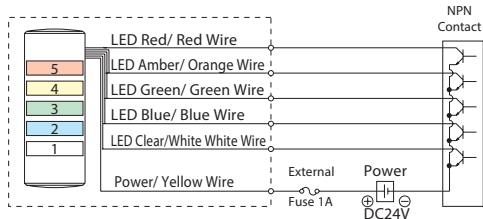
## AC/DC 24V Lighting Type



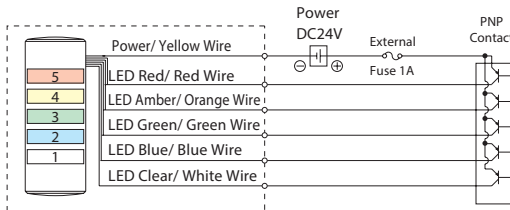
## AC/DC 24V Lighting/Flashing Type



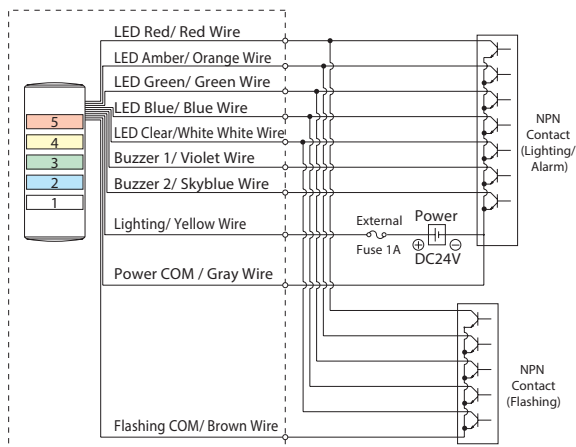
## DC 24V NPN Type



## DC 24V PNP Type



## DC 24V NPN FB Type



## DC 24V PNP FB Type

