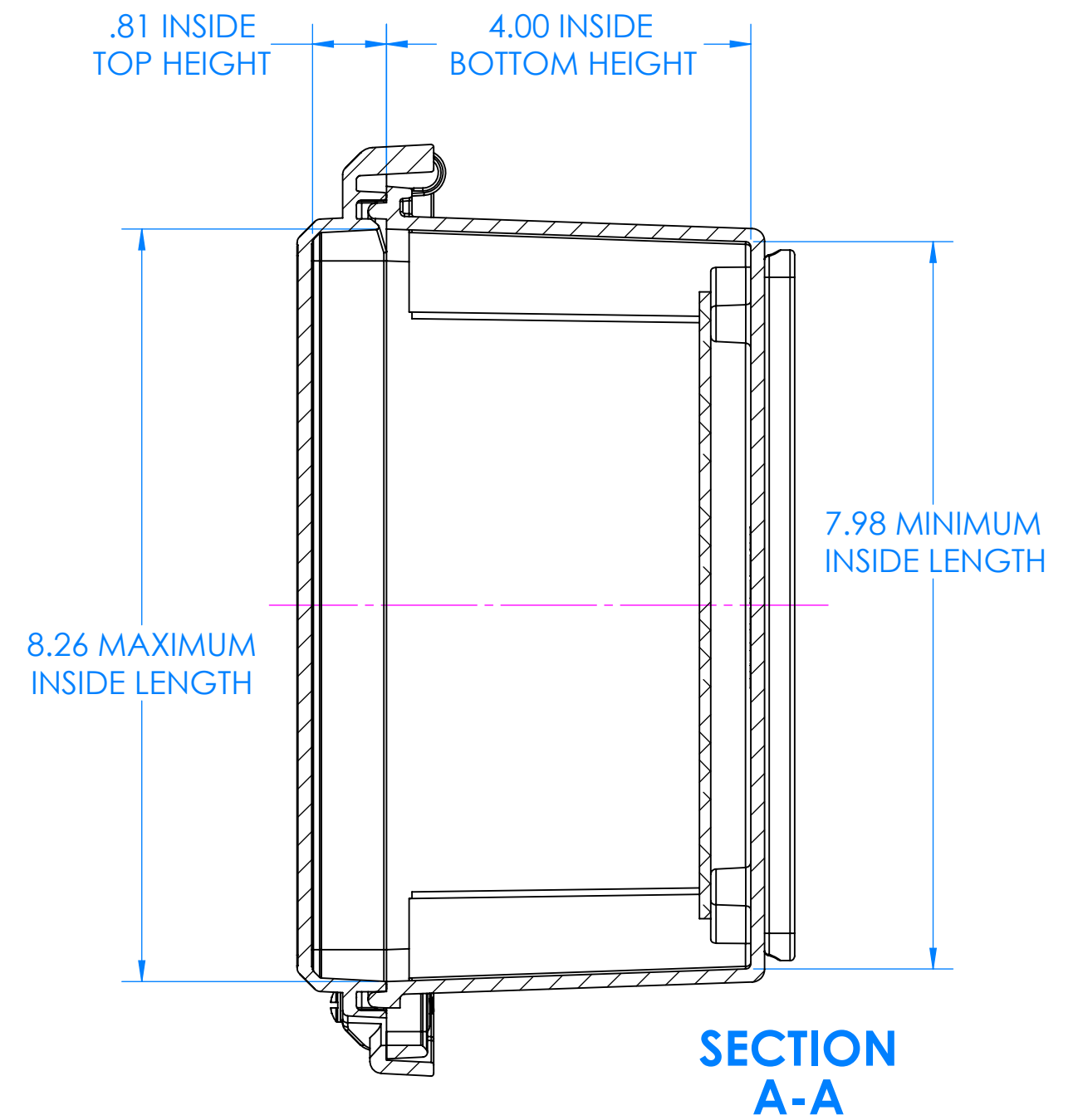
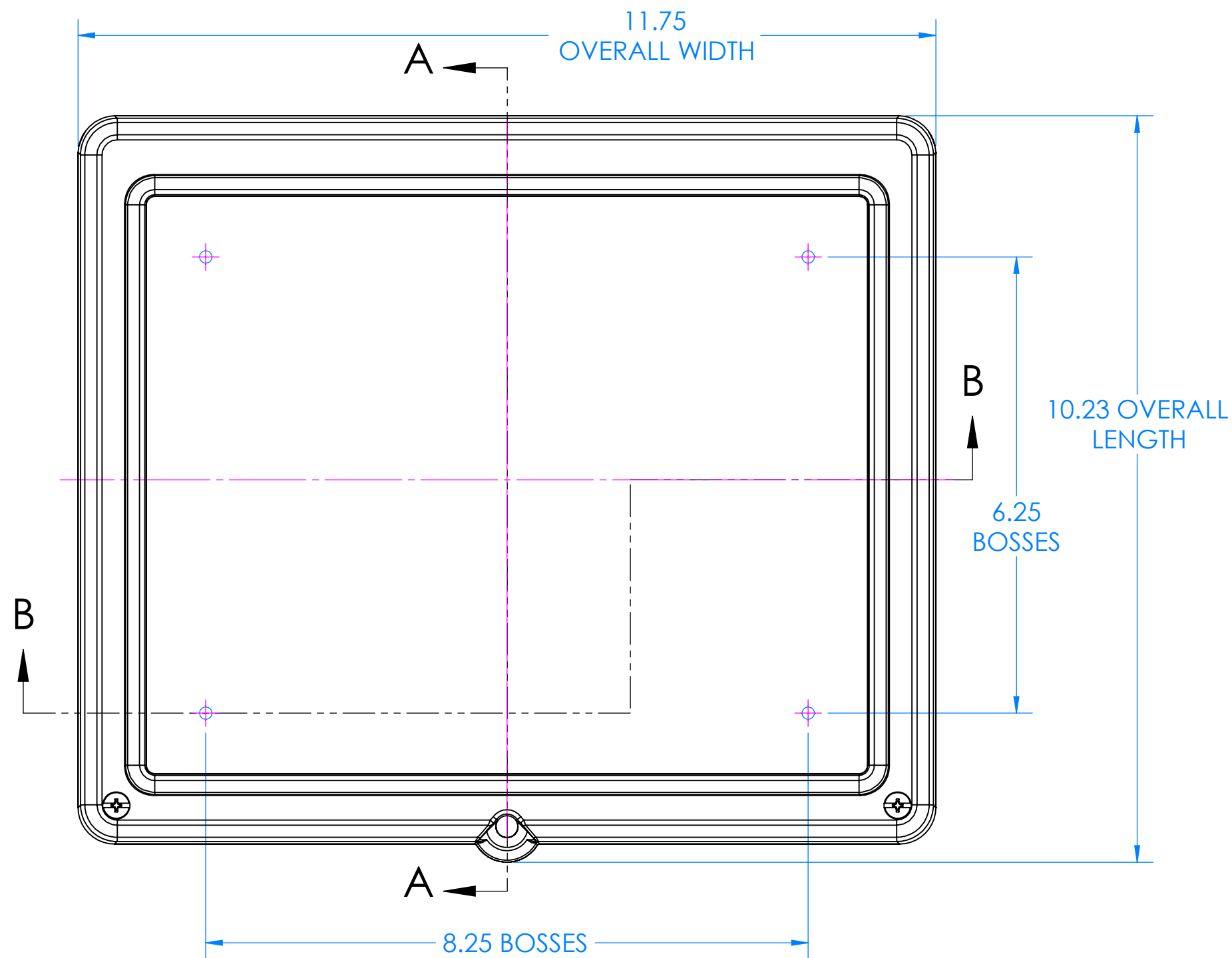


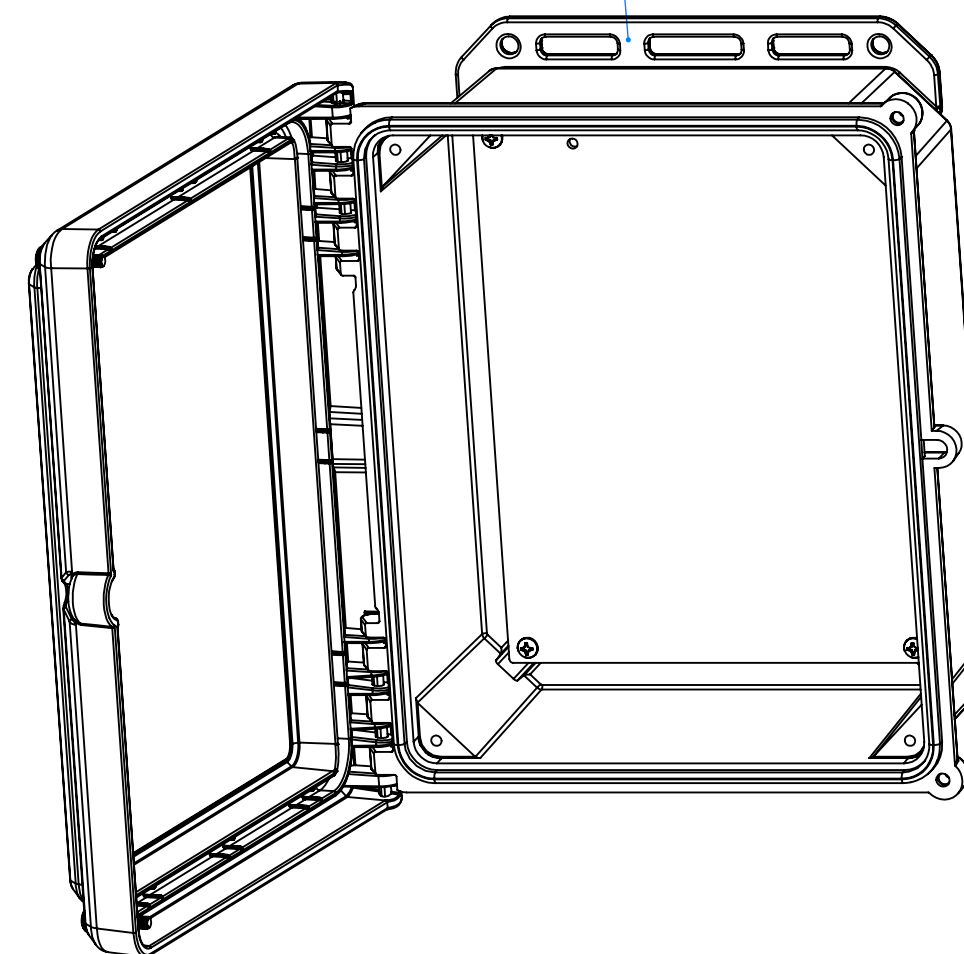
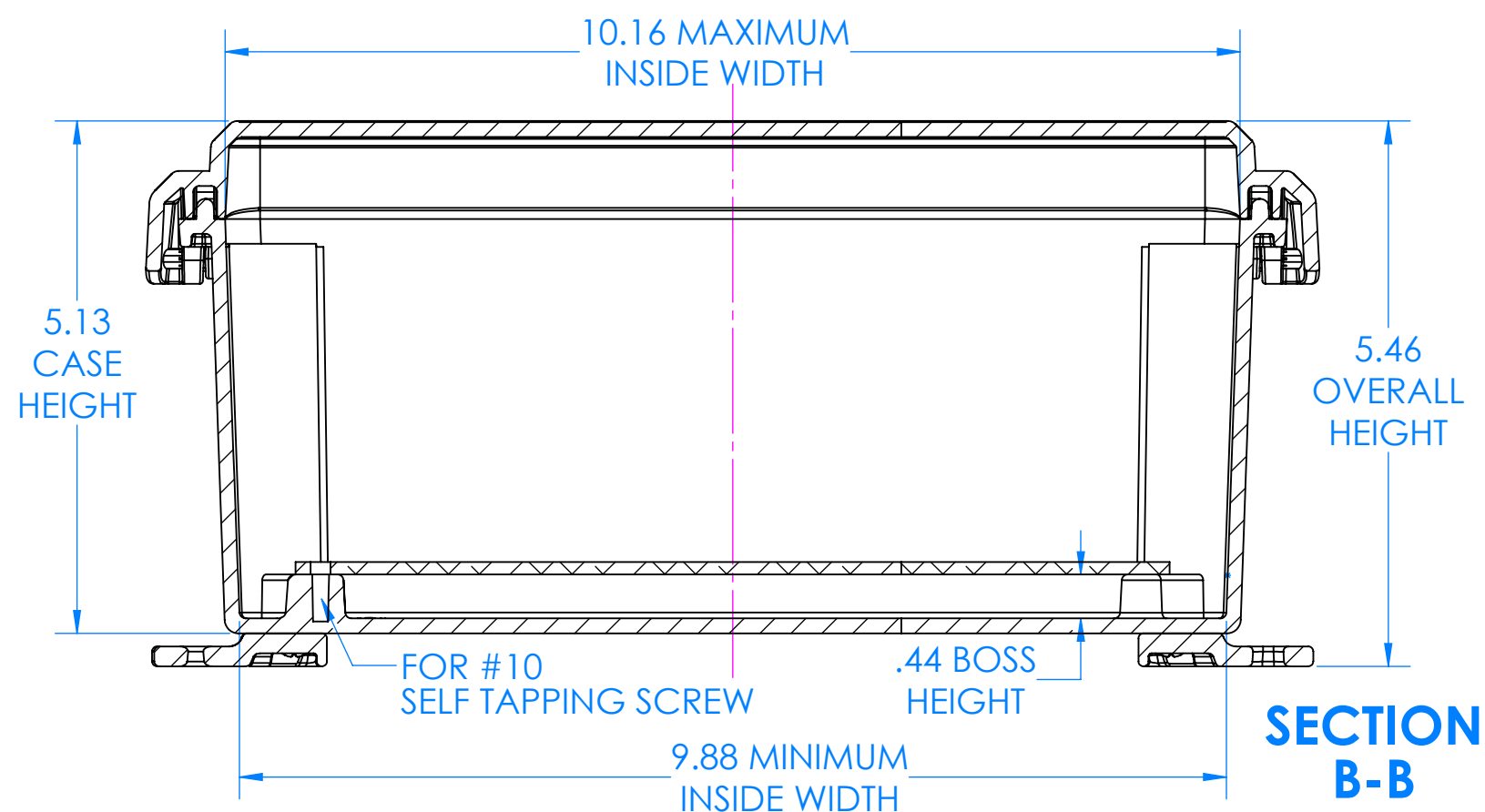
SERPAC I342HS

Electronic Enclosures



2 Mounting Brackets included, see sheet 2 for dimensions and for optional mounting Corner Feet and Brackets.

Aluminum and Plastic Panel Kits are available as options, see sheets 3-6. The aluminum panel options are:
 Bottom Panel Kit p/n 7200B
 Top Panel Kit p/n 7200T
 Hinged Panel Kit p/n 7200TH
 The plastic panel option is:
 Hinged Panel Kit p/n 7200HP

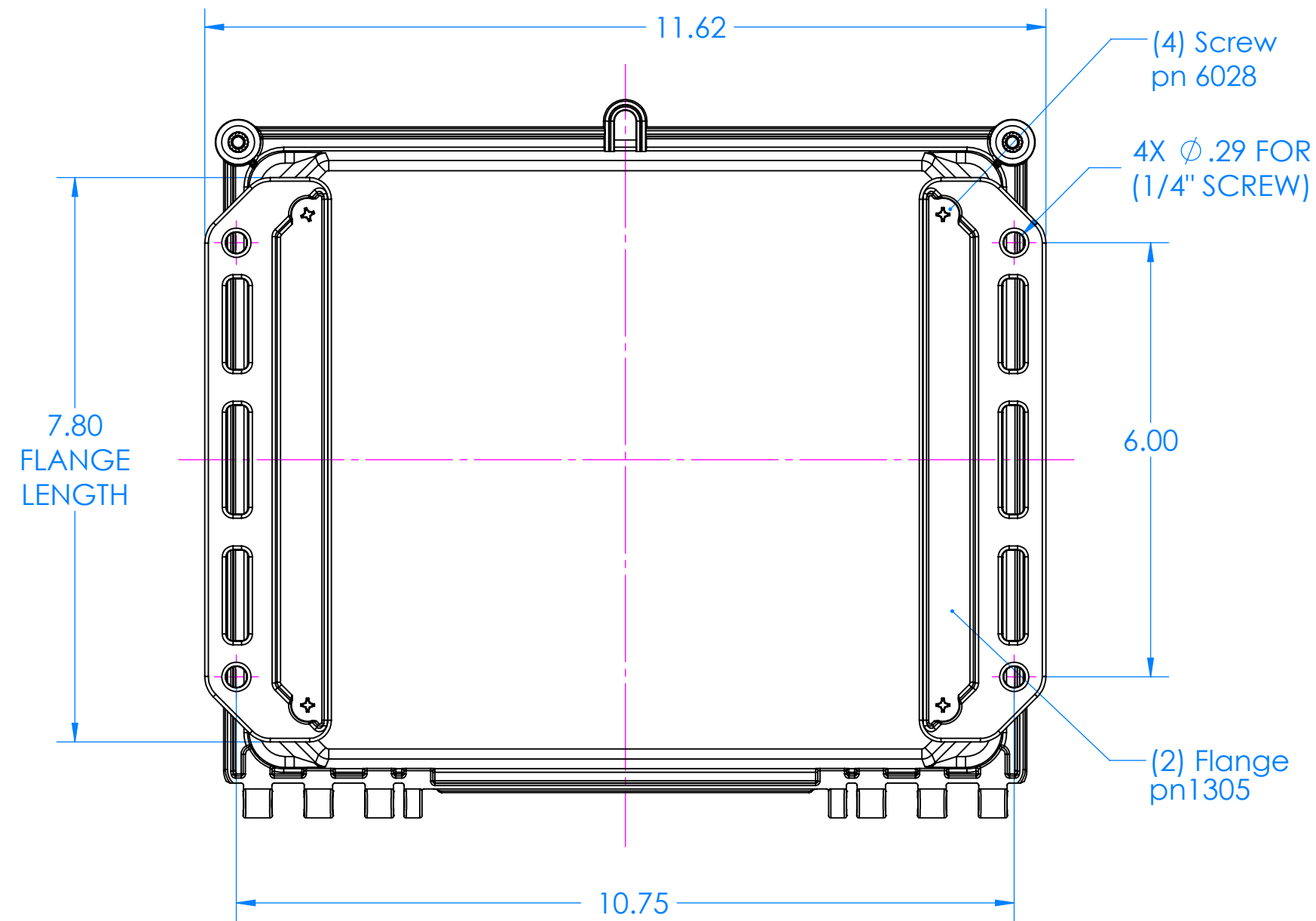


- UL listed to UL 508A 4/4X standard (UL file E519183).
- Material: UV stabilized Polycarbonate Flammability V0, F1 rated material.
- Watertight enclosure meets or exceed Nema 4 and or IP67.

PARTS INCLUDED		
P/N	Qty.	Description
I352 HST	1	I352 Hinged Screw Top
I340 HSB	1	I340 Hinge Screw Bottom
8350	1	350 Perimeter O-ring
6031	2	10-32 X 1" Screw
6104	2	10-32 Threaded insert
8001	2	SS #10 X 5/8" Pan H/L
1305	2	Mounting Bracket
6028	4	SS #10 X 5/8" Pan H/L

4/13/2021

2009 Wright Ave. La Verne, CA 91750
 Ph. (626) 331-0517 Fx. (626) 331-8584 serpac.com



STANDARD INCLUDED 1305 FLANGE KIT

Part included in Kit number 1305		
P/N	Qty.	Description
1305	2	Flange
6028	4	SS #10 X 5/8" Pan Combo H/L Screw

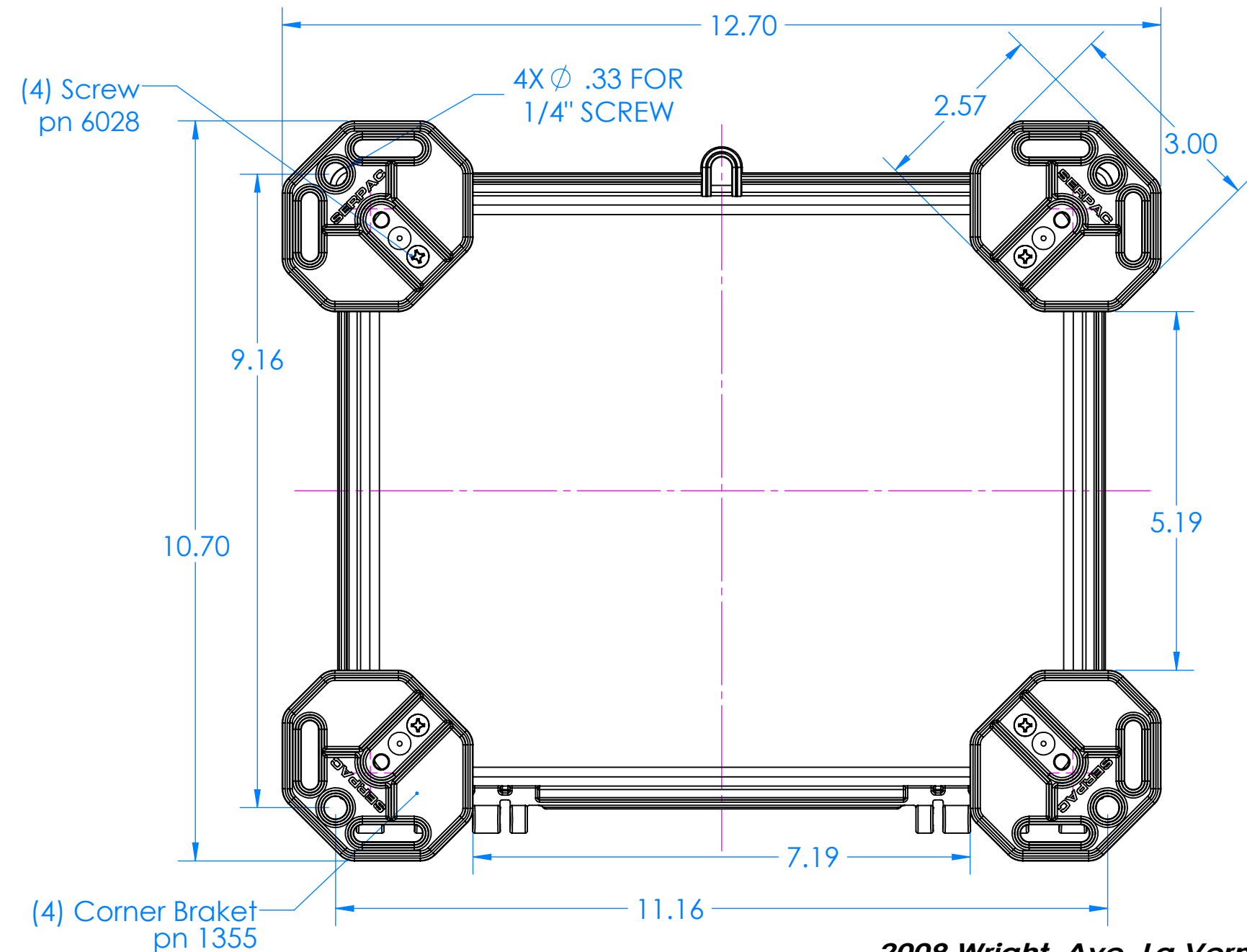
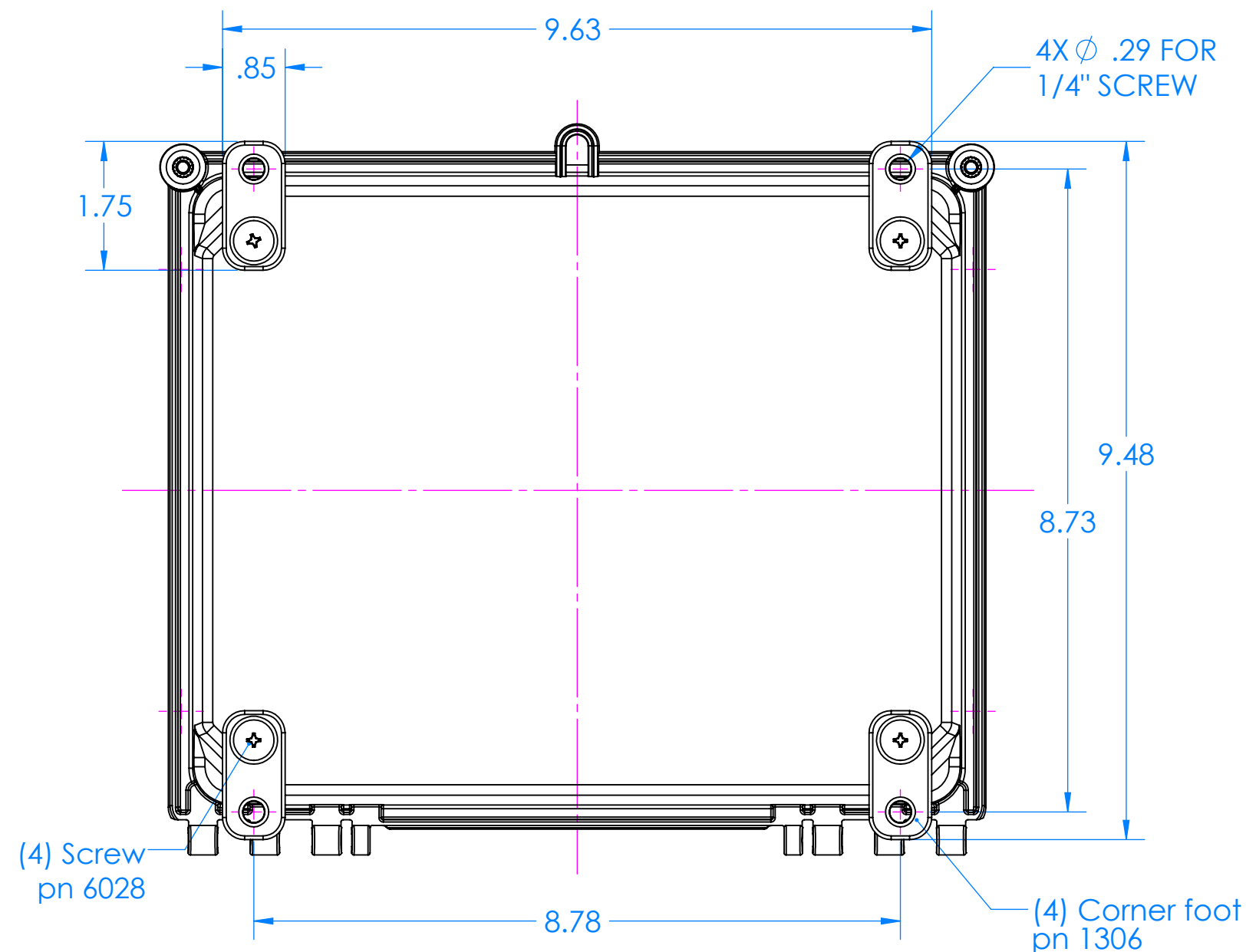
TOP & LATCHES REMOVED FOR CLARITY FROM ALL VIEWS

OPTIONAL 1306 CORNER FEET KIT

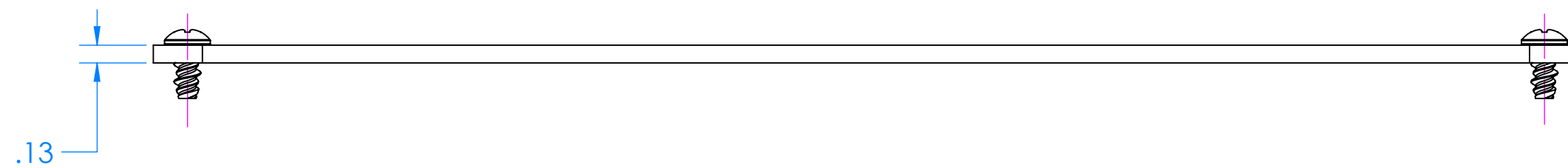
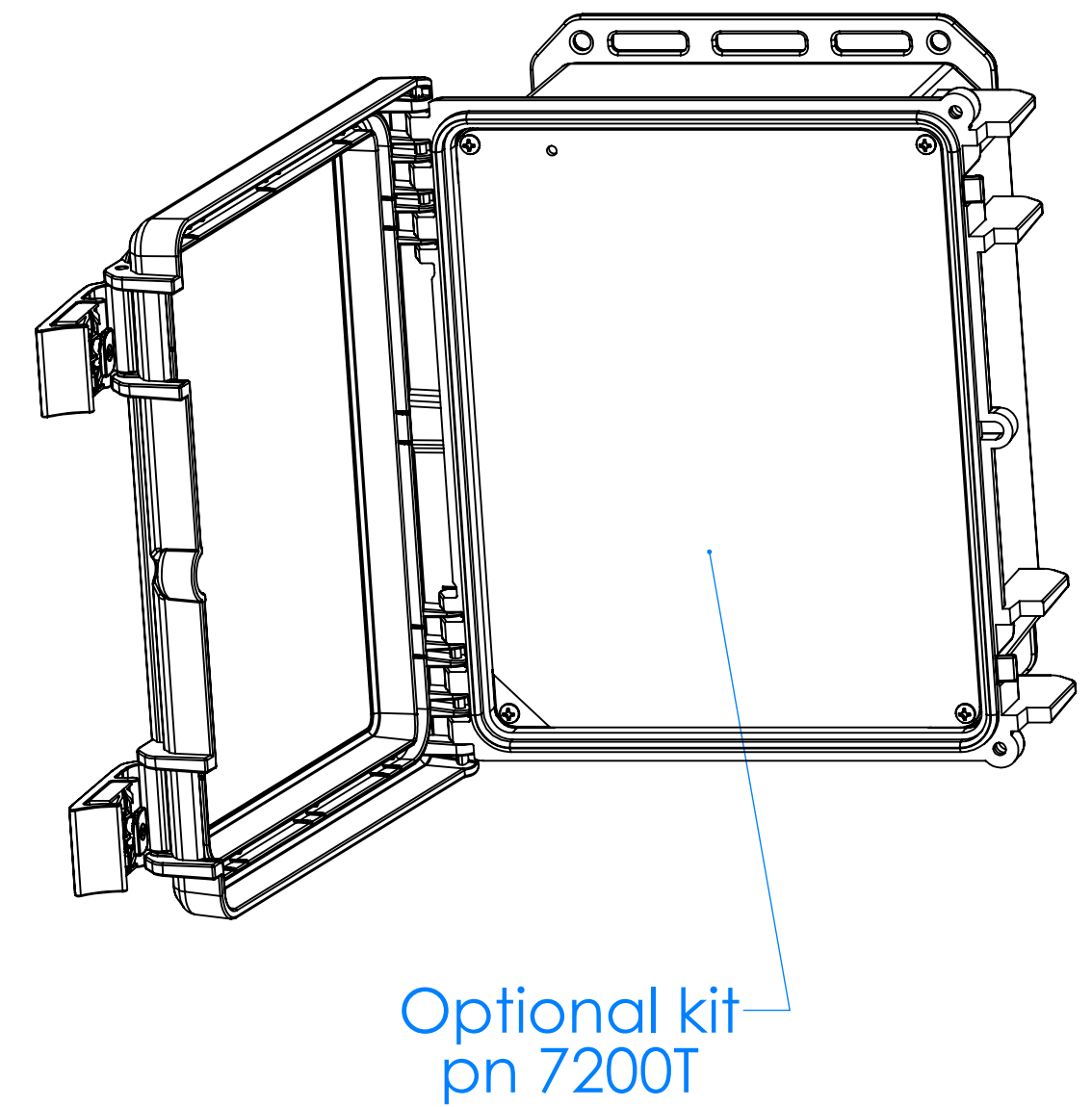
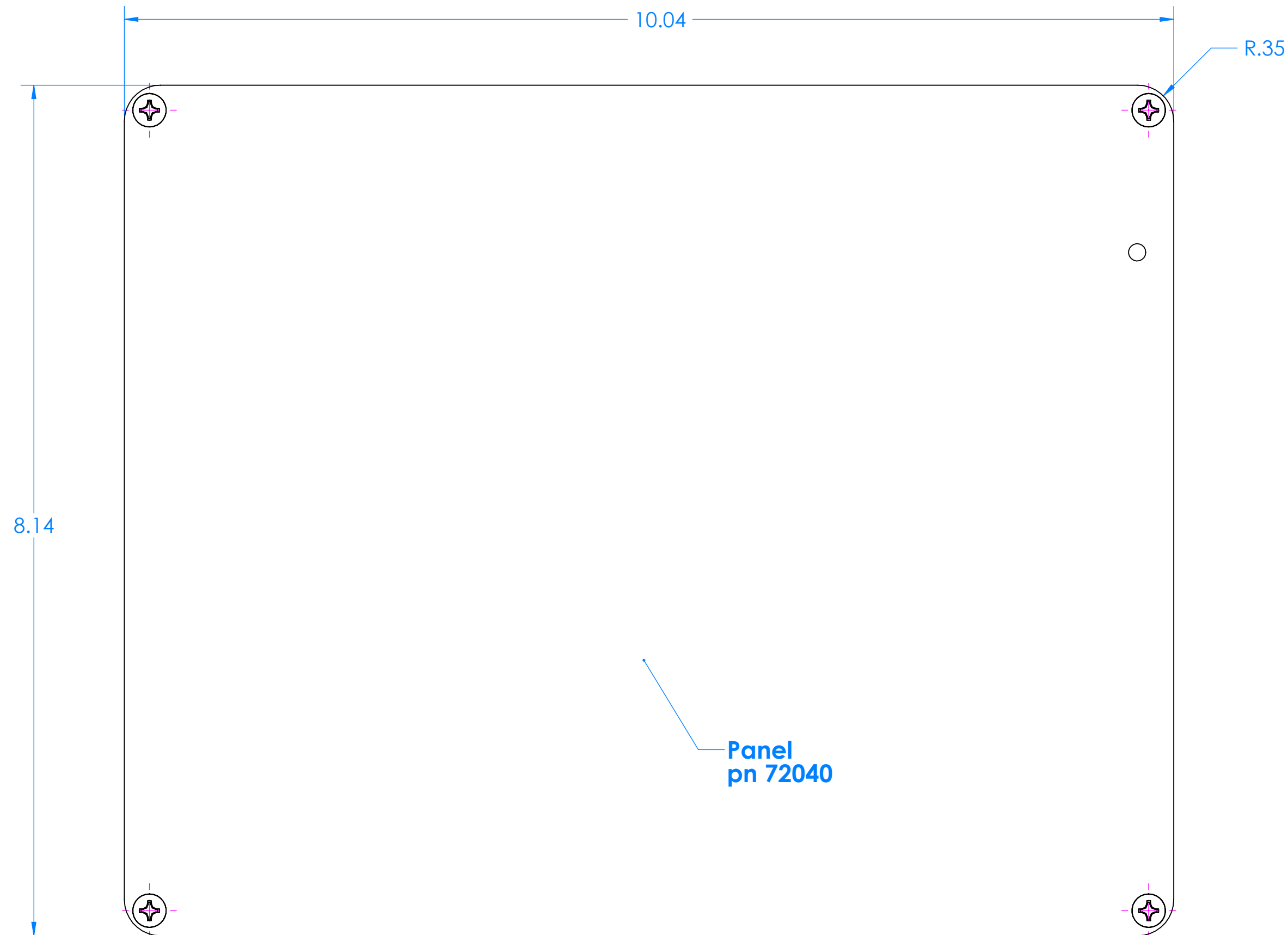
Part included in Kit number 1306		
P/N	Qty.	Description
1306	4	Mounting Corner Foot
6028	4	SS #10 X 5/8" Pan Combo H/L Screw

OPTIONAL 1355 CORNER BRACKETS KIT

Part included in Kit number 1355		
P/N	Qty.	Description
1355	4	Mounting Corner Bracket
6028	4	SS #10 X 5/8" Pan Combo H/L Screw



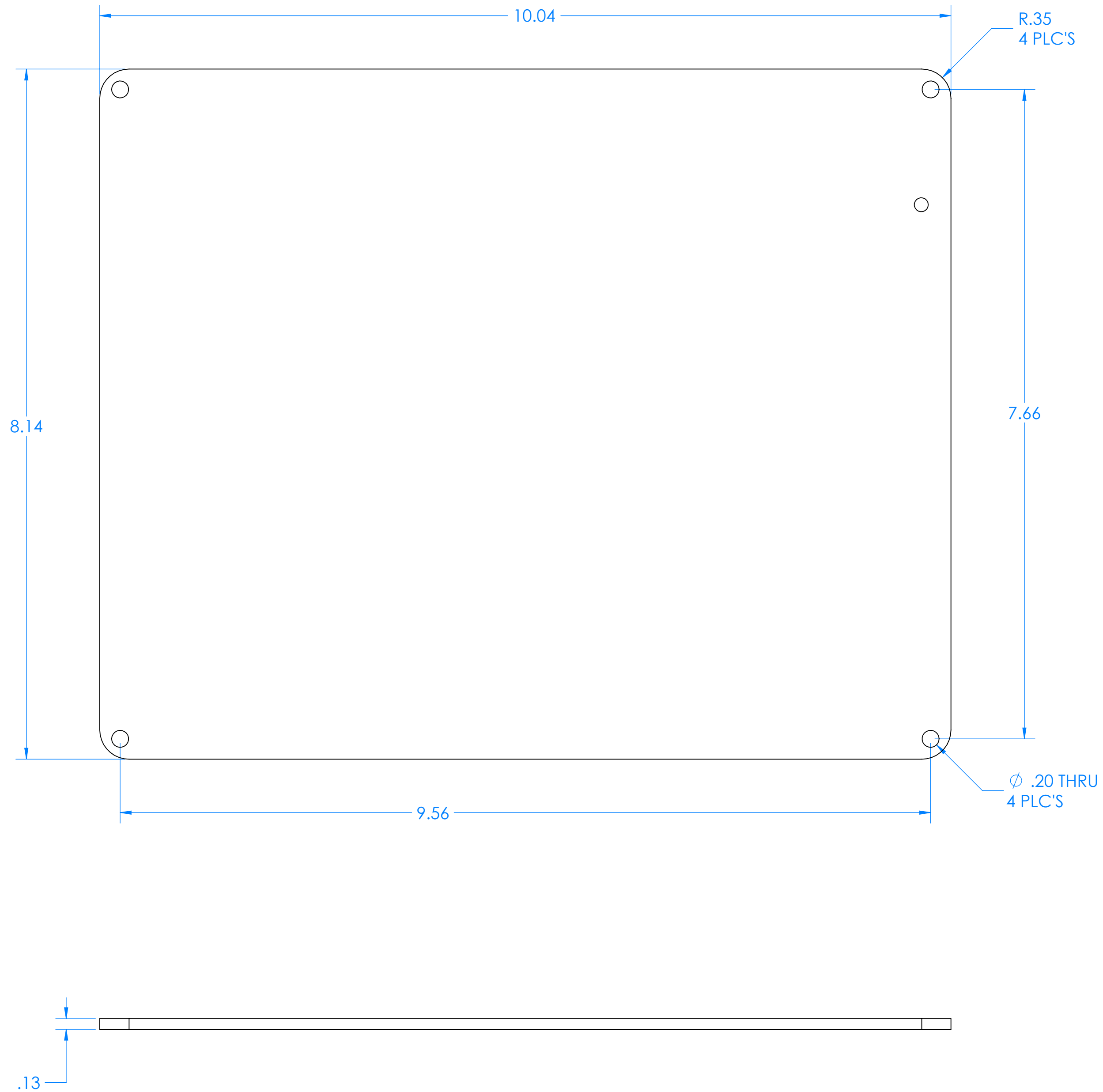
7200T Top Panel Kit for 352HL, 342HL, 352HS, 342HS, 352S and 342S



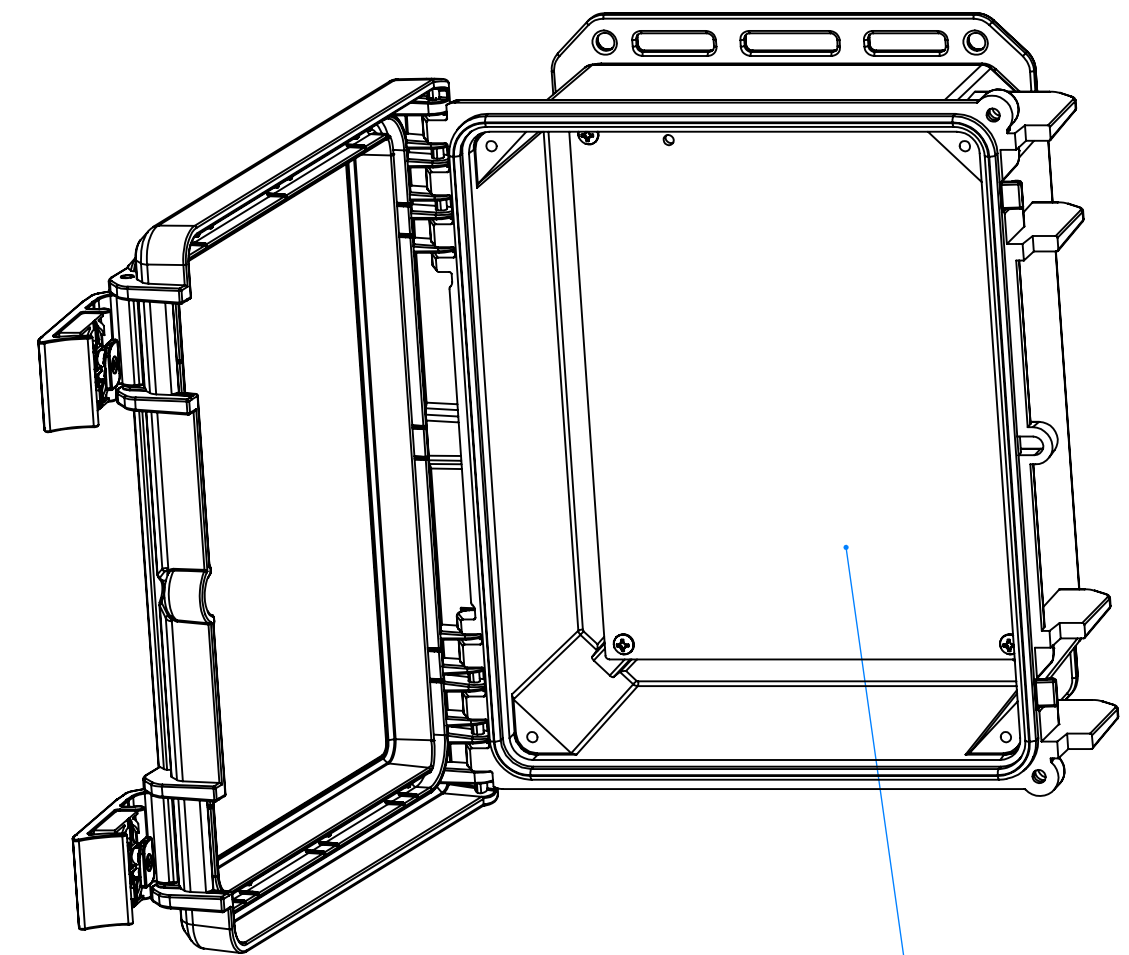
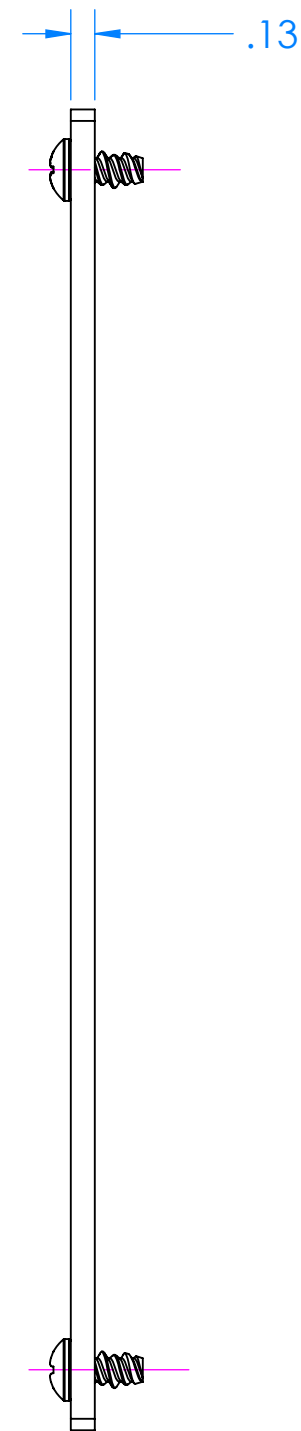
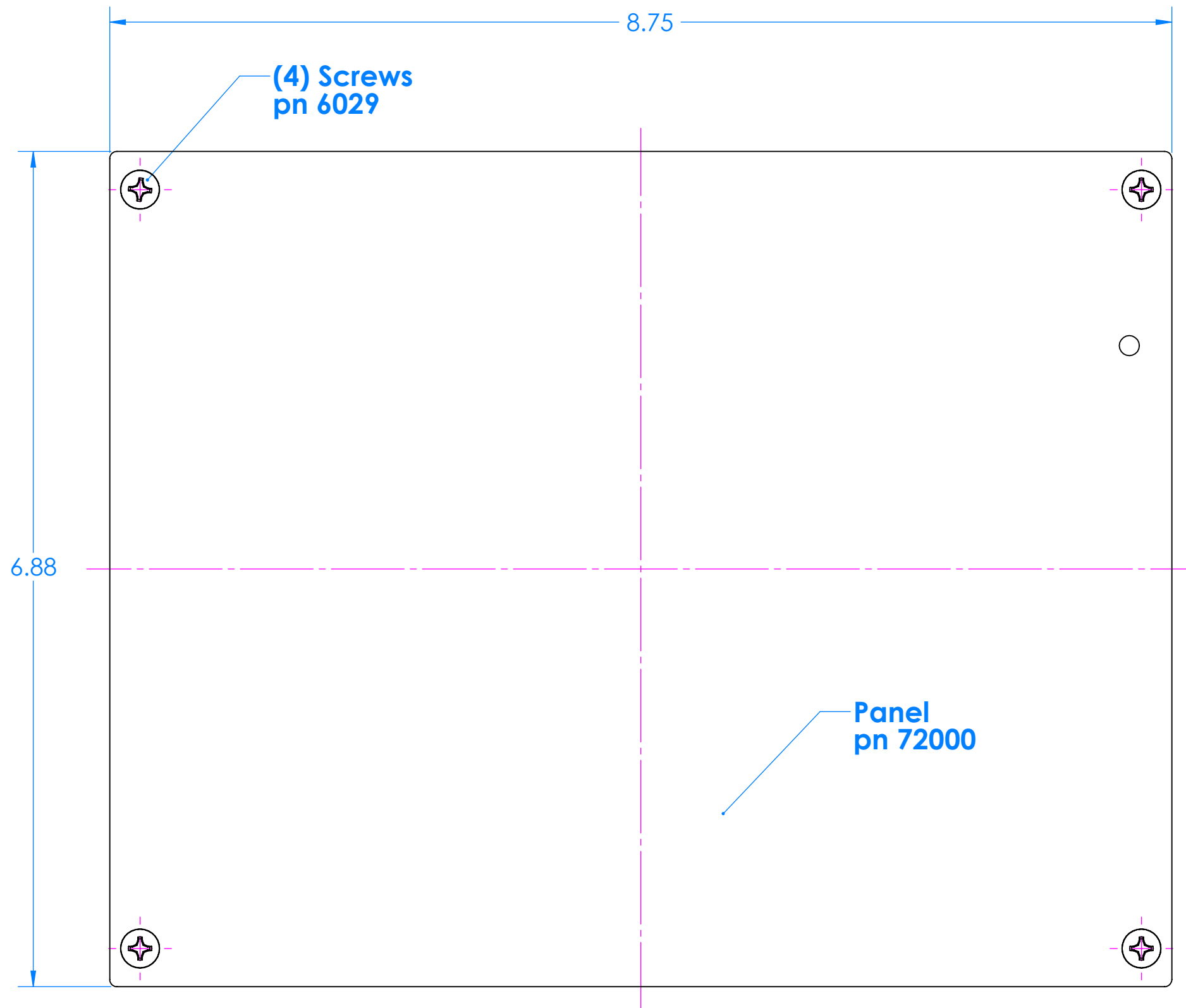
Part included in Kit number 7200T		
P/N	Qty.	Description
72040	1	Top Aluminum Panel
6029	4	SS #10 X 3/8" Pan HL Screw

72040 AP-1 Top Alum Panel

352HL, 342HL, 352HS, 342HS, 352S and 342S



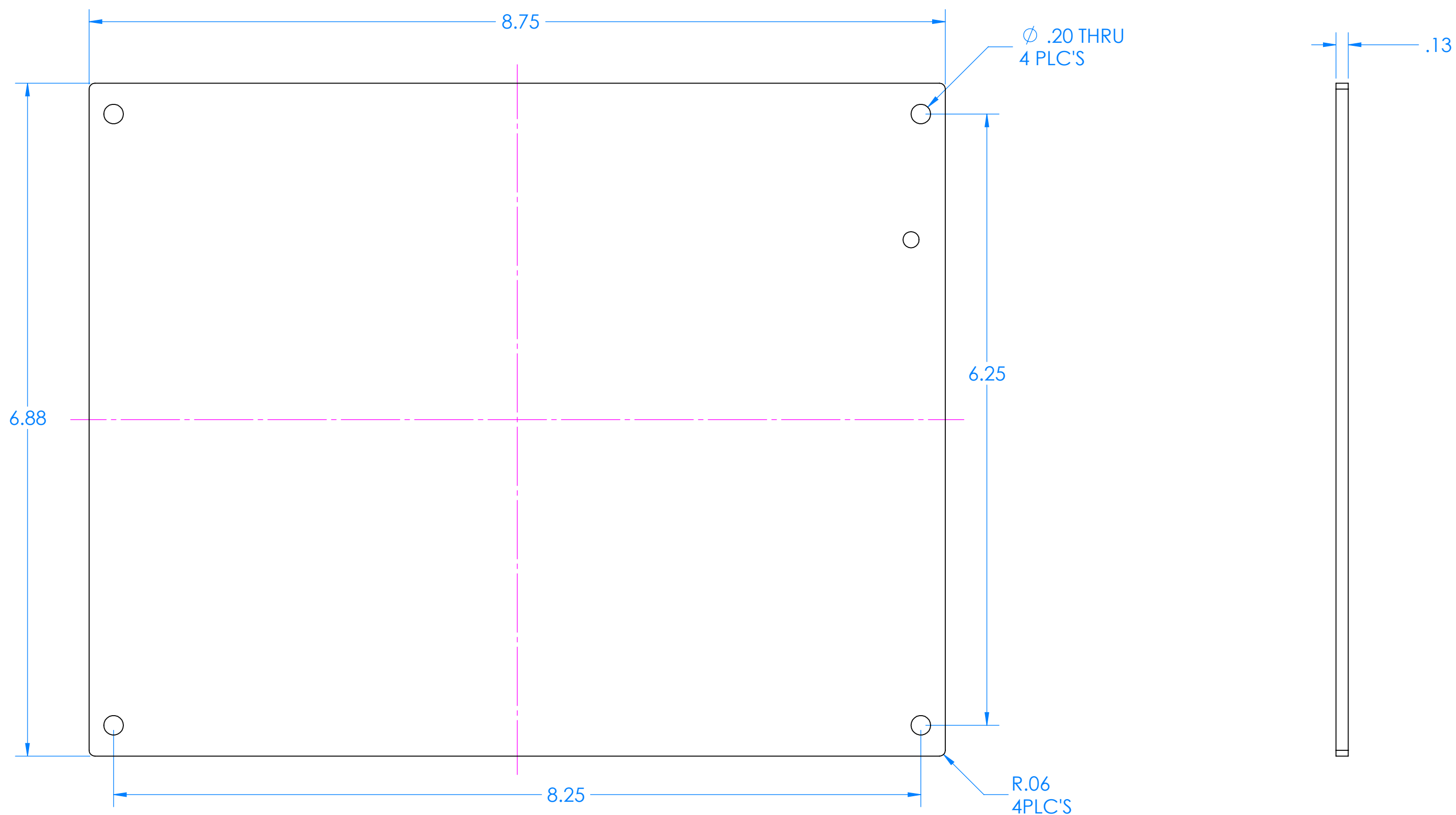
7200B Bottom Panel Kit for 352HL, 342HL, 352HS, 342HS, 352S and 342S



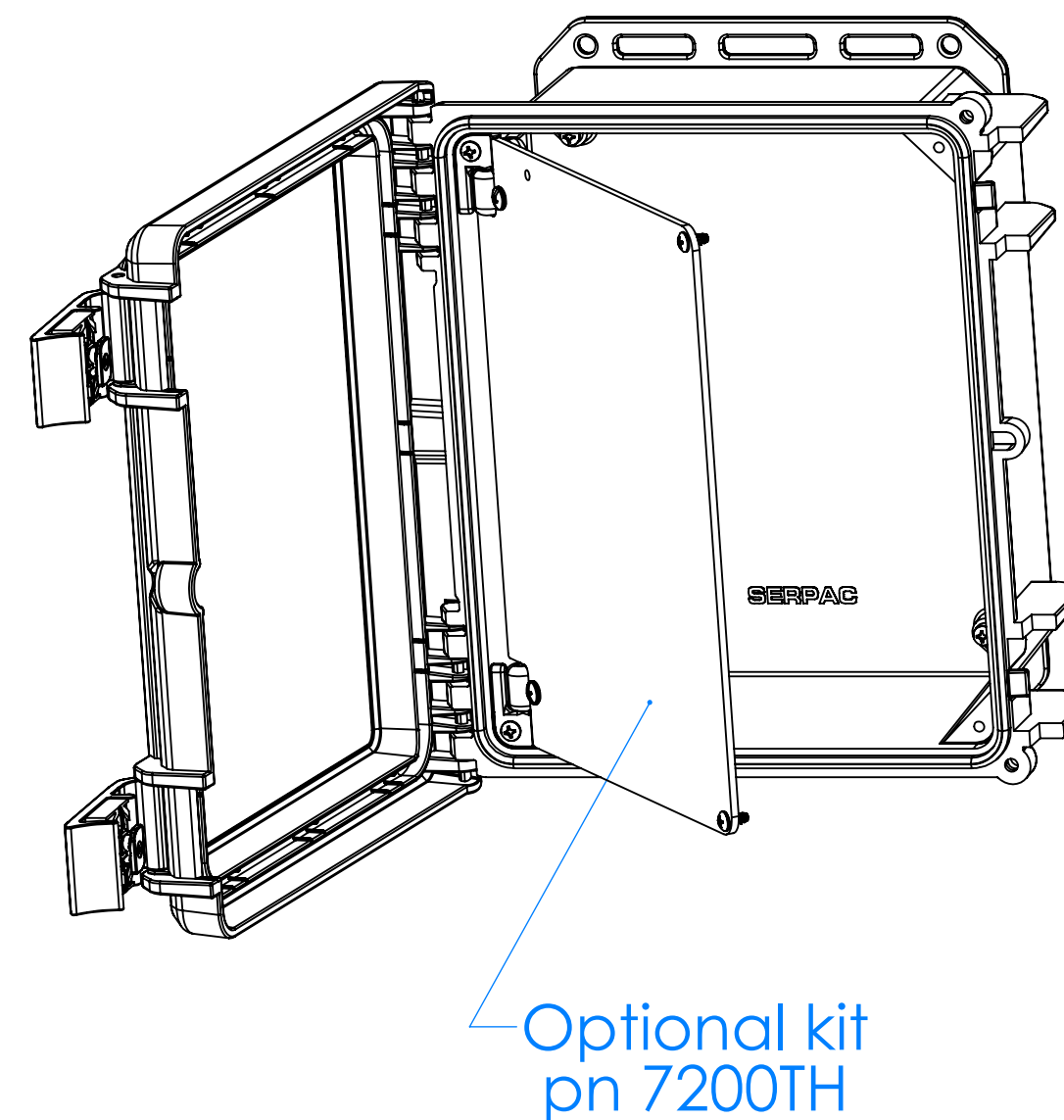
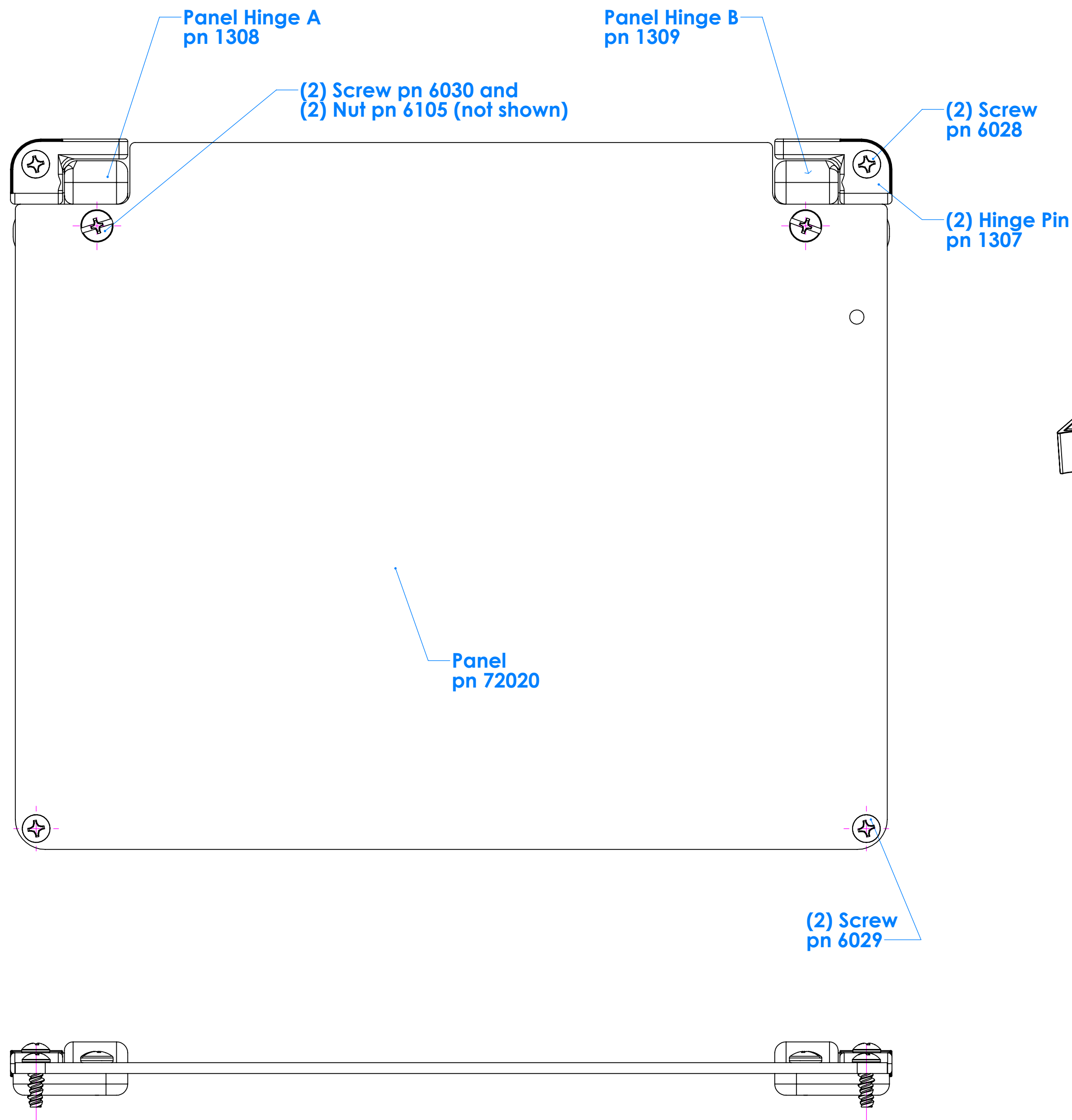
Part included in Kit number 7200B		
P/N	Qty.	Description
72000	1	Bottom Aluminum Panel
6029	4	SS #10 X 3/8" Pan HL Screw

72000 AP-3 Bottom Alum Panel

352HL, 342HL, 352HS, 342HS, 352S and 342S



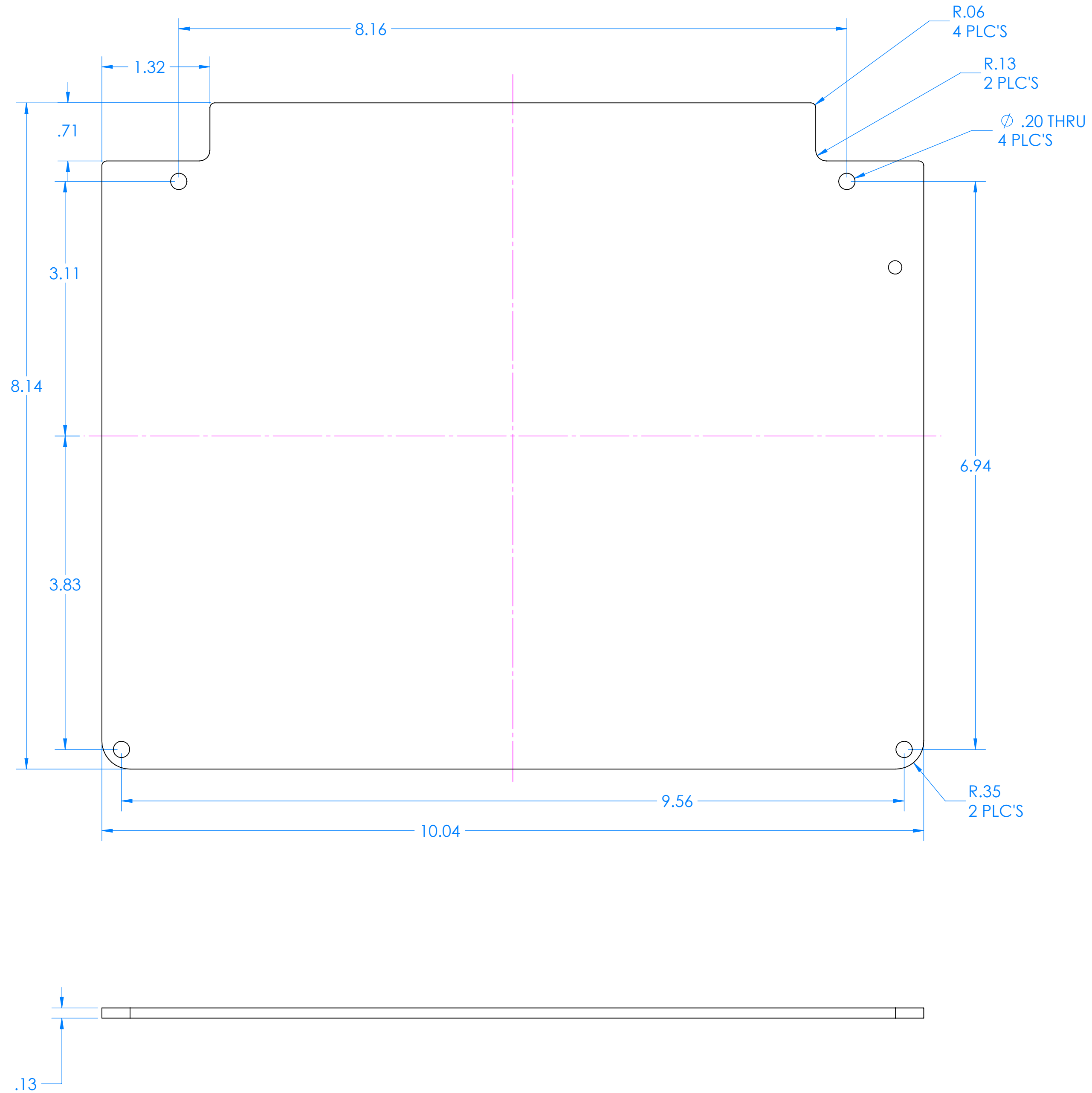
7200TH Hinged Top Panel Kit for 352HL, 342HL, 352HS, 342HS, 352S and 342S



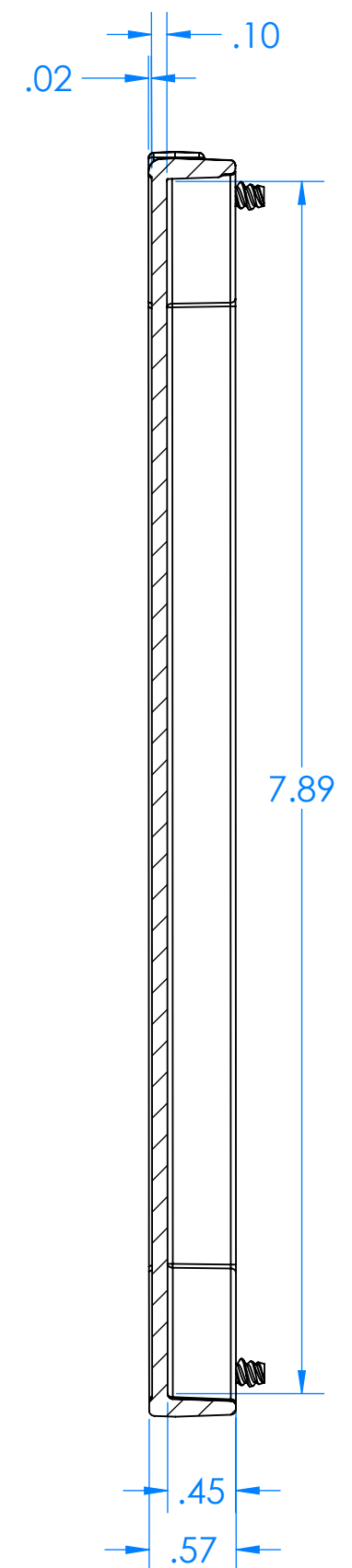
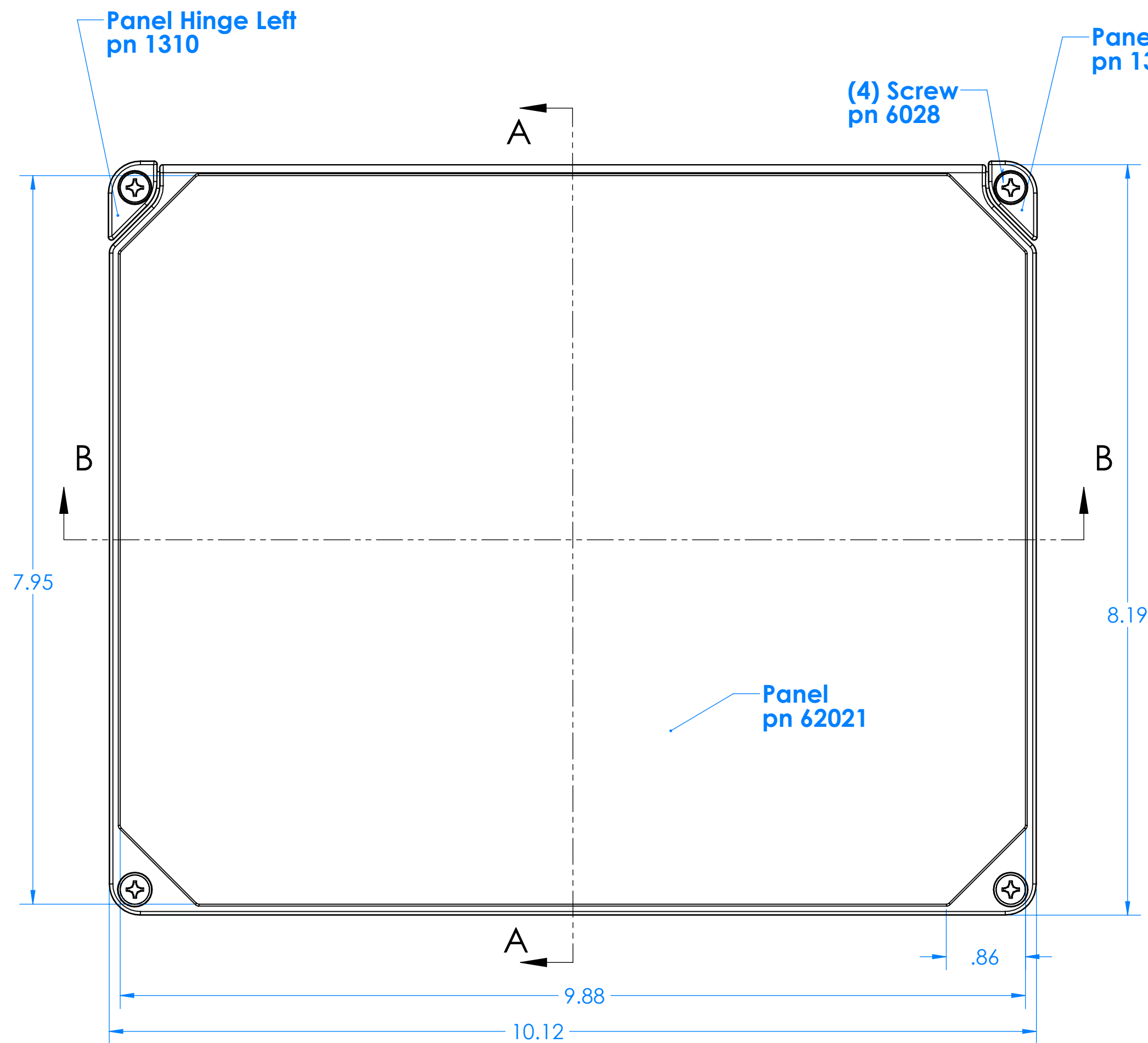
Part included in Kit number 7200TH		
P/N	Qty.	Description
72020	1	Hinged Top Aluminum Panel
6029	2	SS #10 X 3/8" Pan H/L Screw
6030	2	SS #10-32 X 3/8" PH-PN Combo Screw
6105	2	SS #10-32 Hex Nut Plain
6028	2	SS #10 X 5/8" Pan H/L Screw
1307	2	Hinge Pin
1308	1	Panel Hinge A
1309	1	Panel Hinge B

72020 AP-2 Hinged Alum Panel

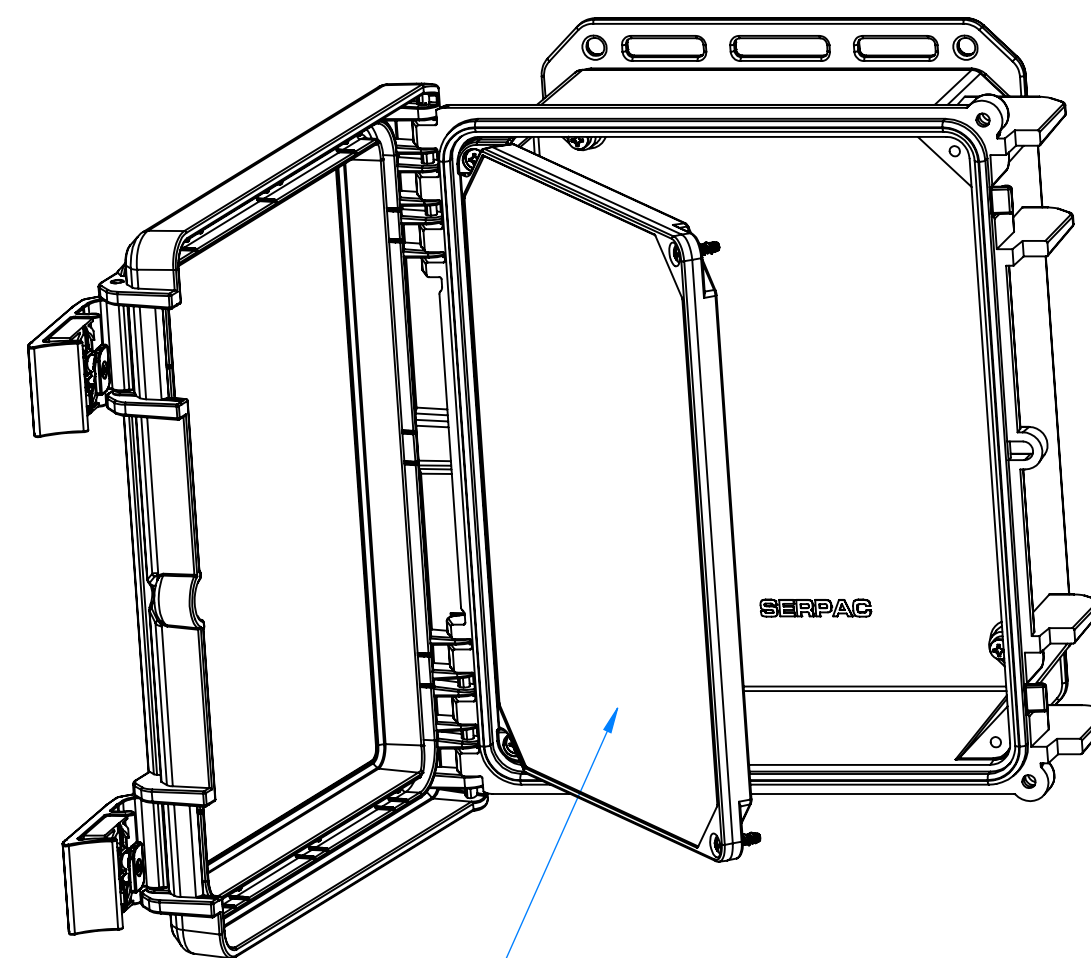
352HL, 342HL, 352HS, 342HS, 352S and 342S



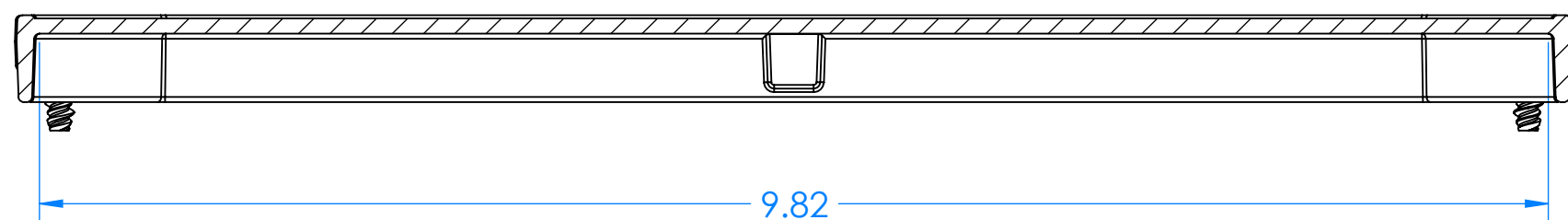
7200HP Hinged Top Plastic Panel Kit for 352HL, 342HL, 352HS, 342HS, 352S and 342S



**SECTION
A-A**



Optional kit
pn 7200HP



**SECTION
B-B**

Parts Included in kit number 7200HP		
P/N	Qty.	Description
72021	1	Hinged Top Plastic Panel
1310	1	Panel Hinge Left
1311	1	Panel Hinge Right
6028	4	SS #10 X 5/8" Pan H/L Screw

72021 Hinged Top Plastic Panel

352HL, 342HL, 352HS, 342HS, 352S and 342S

