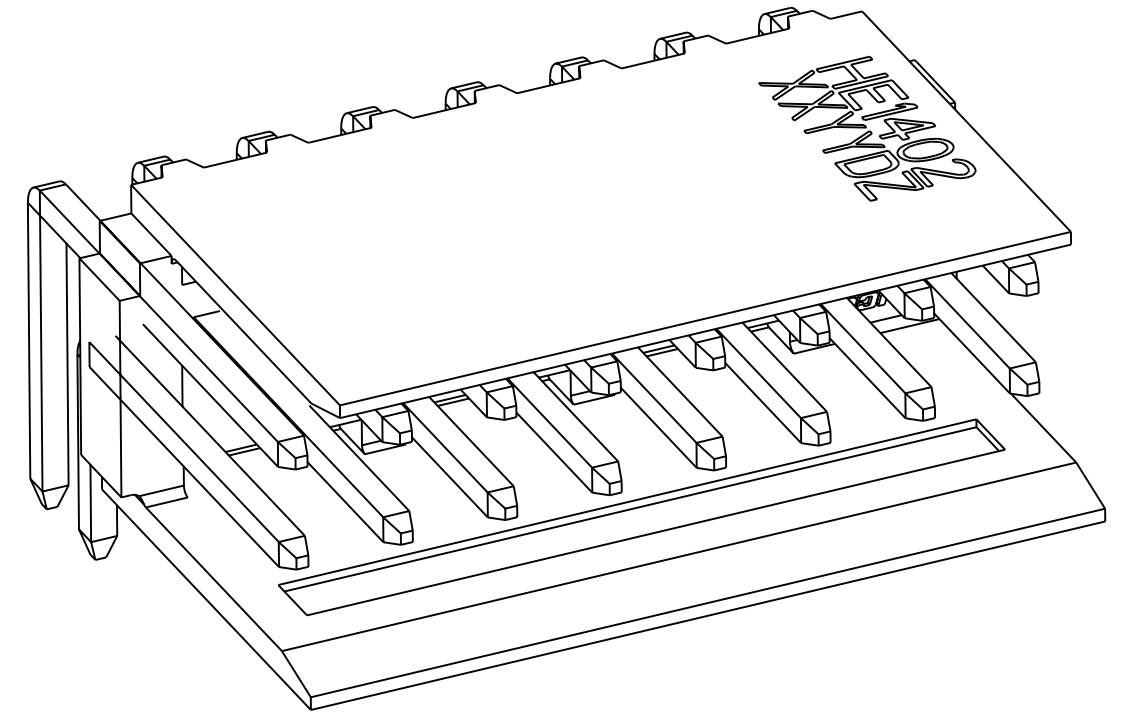
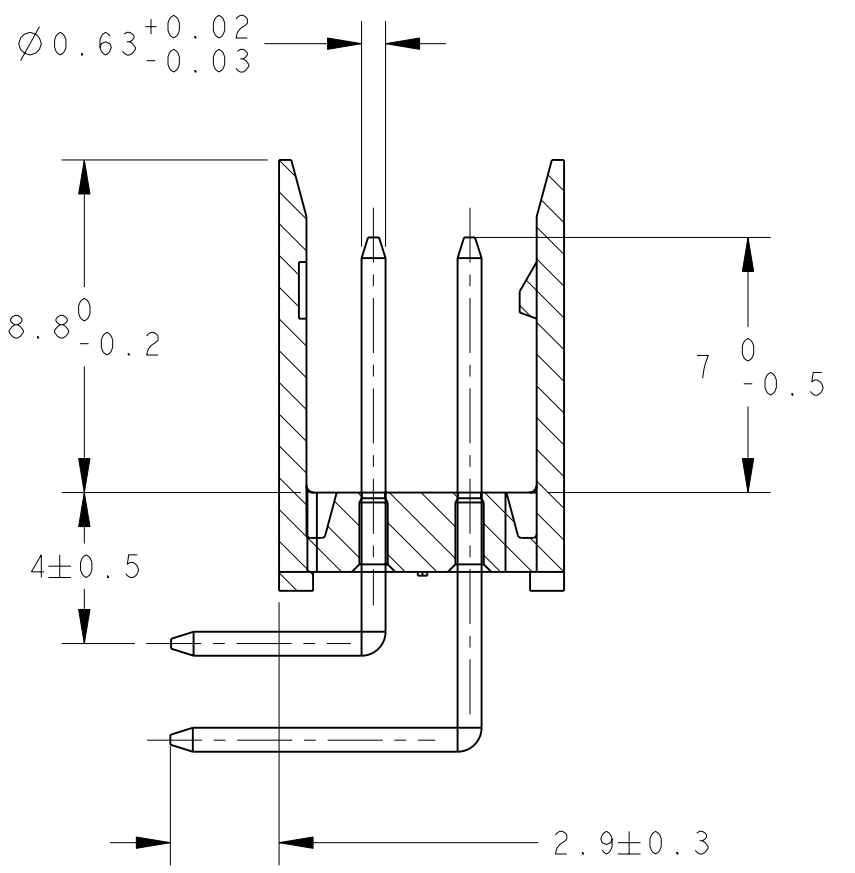
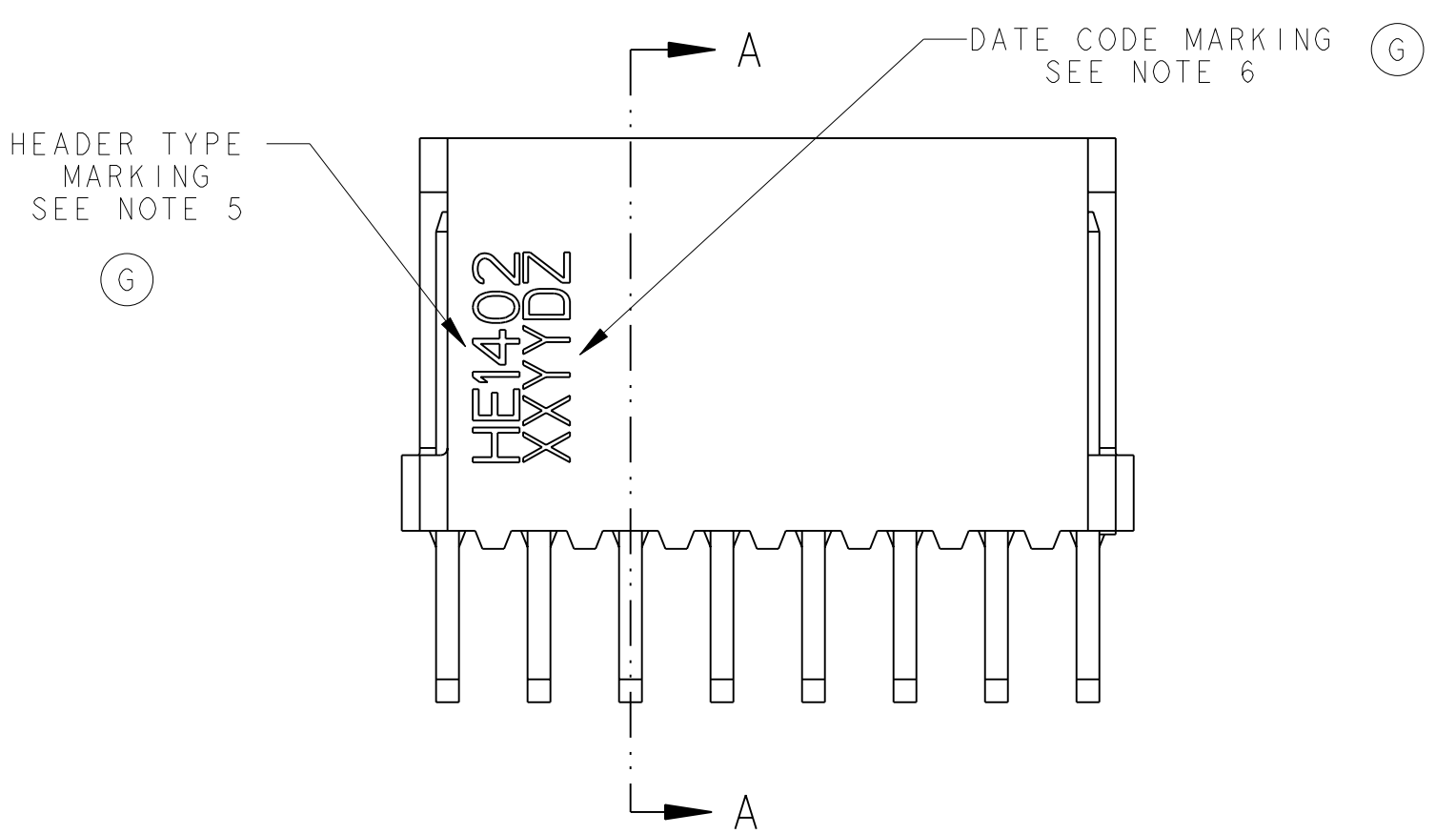
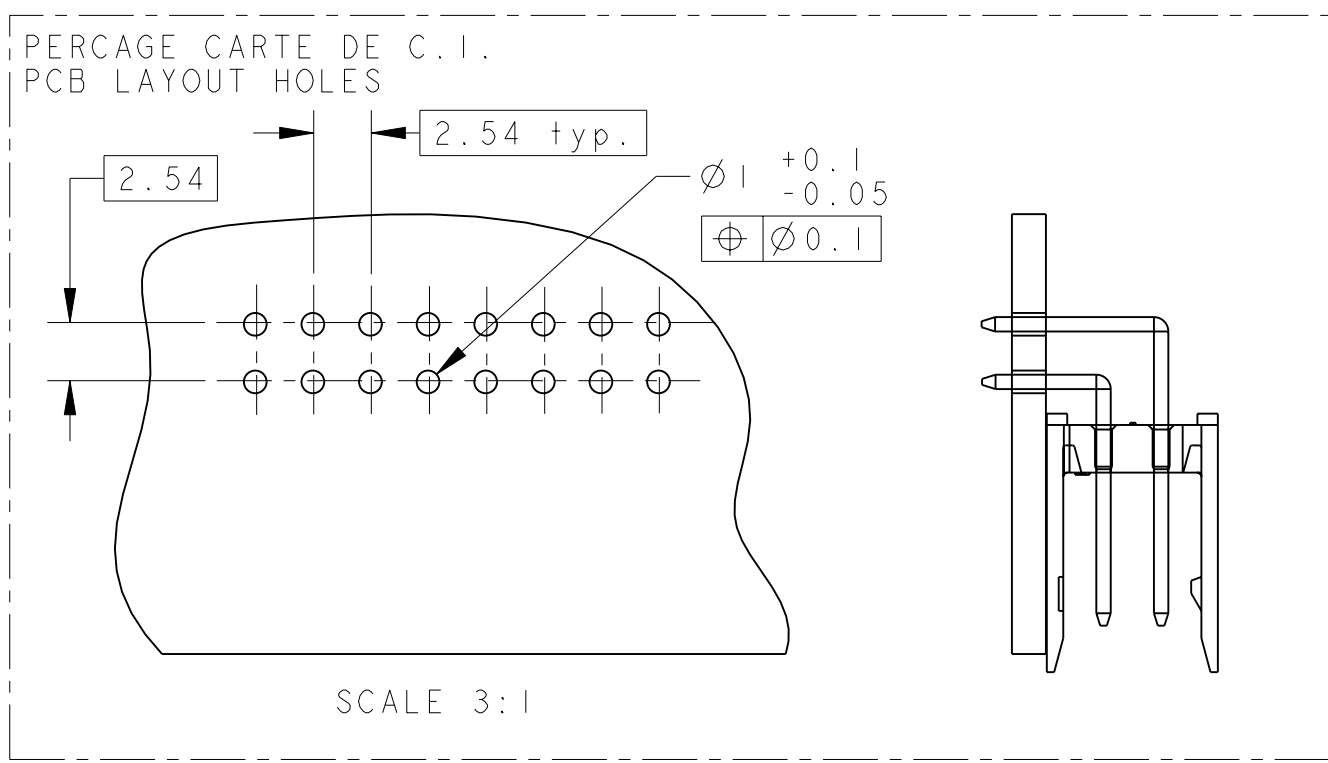
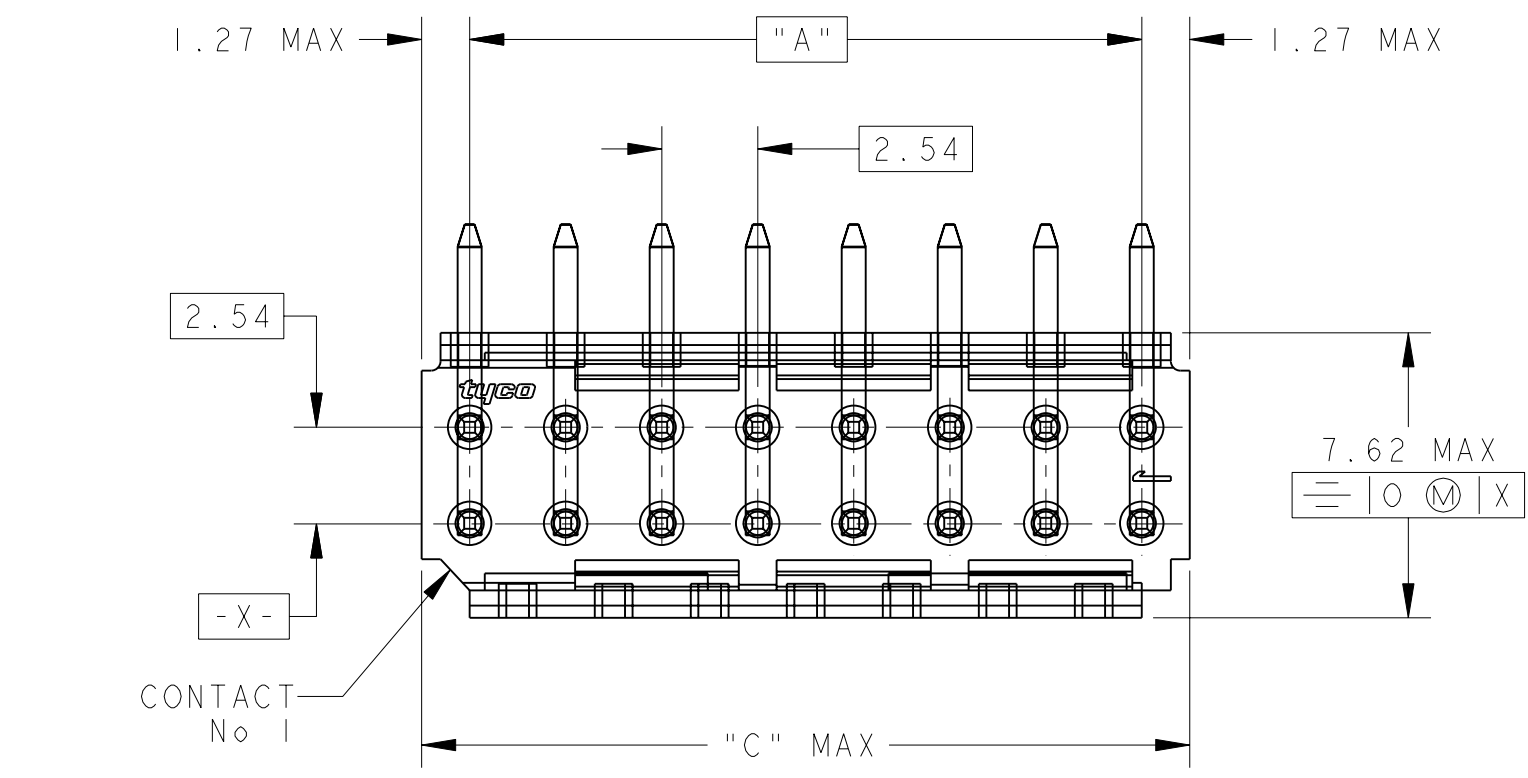


THIS DRAWING IS UNPUBLISHED. DIFFUSION RESTREINTE. RELEASED FOR PUBLICATION LIBRE A LA DIFFUSION. 20  
 BY TYCO ELECTRONICS CORPORATION. ALL RIGHTS RESERVED. TOUS DROITS RESERVES.

LOC	DIST	REVISIONS			
P	LTR	DESCRIPTION MODIFICATIONS	DATE	DWN DESS.	APVD APP.
E		CLARIFIE NOTE 3	12MAR2004	J.D	Y.P
F		MATERIAL	09MAY2006	J.D	Y.P
G		NOTES 5, 6 ADDED	04NOV2008	GM	PEG



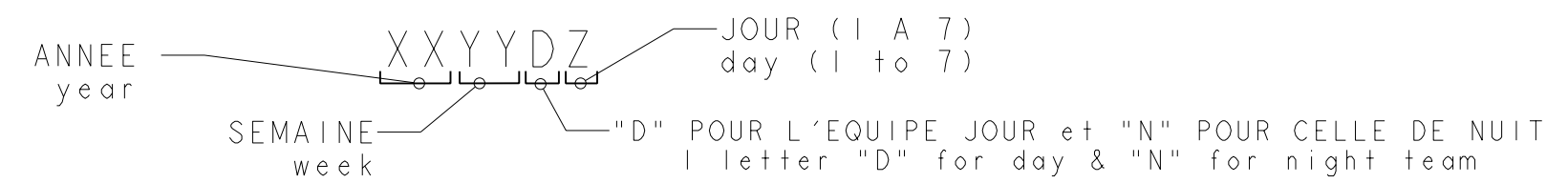
SCALE 6:1



SCALE 3:1

C	A	Nb DE POS	PART NUMBER
50.80	48.26	2x 20	2-281742-0
45.72	43.18	2x 18	1-281742-8 *
43.18	40.64	2x 17	1-281742-7
38.10	35.56	2x 15	1-281742-5 *
33.02	30.48	2x 13	1-281742-3
30.48	27.94	2x 12	1-281742-2 *
25.40	22.86	2x 10	1-281742-0 *
20.32	17.78	2x 8	0-281742-8 *
15.24	12.70	2x 6	0-281742-6 *
12.70	10.16	2x 5	0-281742-5 *
10.16	7.62	2x 4	0-281742-4 *
7.62	5.08	2x 3	0-281742-3 *
5.08	2.54	2x 2	0-281742-2

- NOTES:
- CES EMBASES SONT PREVUES POUR ETRE ACCOUPLEES AVEC LES FICHES "HE1402" SIMPLE RANGEE. (These headers are designed to be mated with "HE1402" connectors single row)
  - LES REFERENCES SUIVIES D'UN \* SONT LES VERSIONS NORMALISEES SELON LA NORME CEI 603-8 (The parts numbers followed by \* are covered by the international standard IEC 603-8)
  - RETELEMENT DES CONTACTS: ETAIN PUR SUR NICKEL (Contacts plating: lead free tin over nickel)
  - MATIERE PLASTIQUE: TERMO-PLASTIQUE HAUTE TEMPERATURE, UL-94V0, COULEUR BLEUE (Plastic material: High temperature thermoplastic, UL-94V0, Blue color)  
MATIERE DES CONTACTS: BRONZE PHOSPHOREUX (Contacts material: phosphor bronze)
  - MARQUAGE DU TYPE D'EMBASE (HE1402) A L'ENCRE NOIRE (header type marking (HE1402) with black ink)
  - MARQUAGE DE LA DATE A L'ENCRE NOIRE : (date code marking with black ink)



THIS DRAWING IS A CONTROLLED DOCUMENT FOR TYCO ELECTRONICS CORPORATION IT IS SUBJECT TO CHANGE AND THE CONTROLLING ENGINEERING ORGANIZATION SHOULD BE CONTACTED FOR THE LATEST REVISION.  
 CE PLAN EST UN DOCUMENT CONTROLE PAR AMP INCORPORATED. IL EST SUSCEPTIBLE D'ETRE REVISE. CONTACTER LE SERVICE TECHNIQUE D'AMP DE FRANCE POUR OBTENIR LA DERNIERE REVISION.

DIMENSIONS: mm

TOLERANCES UNLESS OTHERWISE SPECIFIED: (SUIV NB DE DECIMALES)  
 0 PLC/DEC: ±  
 1 PLC/DEC: ±0.3  
 2 PLC/DEC: ±0.13  
 3 PLC/DEC: ±0.013  
 4 PLC/DEC: ±0.0013  
 ANGLES ±5°

FINISH/FINITION

MATERIAL/MATIERE

DWN/DESSINE 22NOV2000 C. COMBEDOUZON  
 CHK/VERIFIE 22NOV2000 T. CORRIOLU  
 APVD/APROUVE 22NOV2000 Y. PETRONIN  
 PRODUCT SPEC 108-15053  
 APPLICATION SPEC

AMP DE FRANCE 95301 PONTOISE

NAME TITRE HEADERS HE14, DOUBLE ROW, RIGHT ANGLE

SIZE FORMAT A2 CAGE CODE 00779 DRAWING NO No PLAN C-281742 RESTRICTED TO RESERVE A

WEIGHT MASSE APPROX. CUSTOMER DRAWING /PLAN CLIENT UNIQUEMENT POUR REFERENCE SCALE ECHELLE 5:1 SHEET FEUILLE OF DE REV G