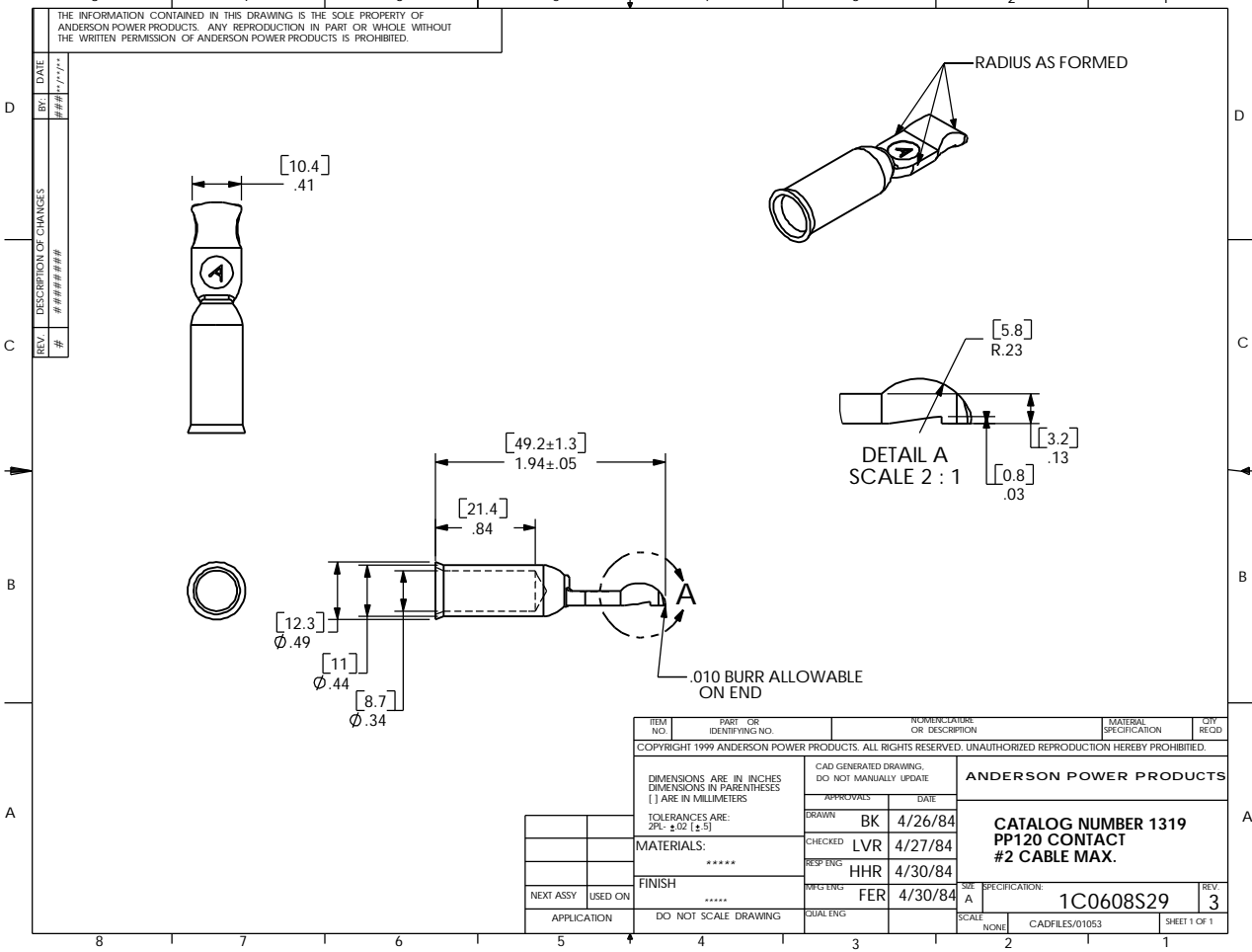


THE INFORMATION CONTAINED IN THIS DRAWING IS THE SOLE PROPERTY OF ANDERSON POWER PRODUCTS. ANY REPRODUCTION IN PART OR WHOLE WITHOUT THE WRITTEN PERMISSION OF ANDERSON POWER PRODUCTS IS PROHIBITED.



REV #	DESCRIPTION OF CHANGES	DATE

ITEM NO.	PART OR IDENTIFYING NO.	NUMERICAL OR DESCRIPTION	MATERIAL SPECIFICATION	CITY
COPYRIGHT 1999 ANDERSON POWER PRODUCTS. ALL RIGHTS RESERVED. UNAUTHORIZED REPRODUCTION HEREBY PROHIBITED.				
DIMENSIONS ARE IN INCHES DIMENSIONS IN PARENTHESES ( ) ARE IN MILLIMETERS		CAD GENERATED DRAWING. DO NOT MANUALLY UPDATE		
TOLERANCES ARE: 2PL- ±.02 [ ±.5]		ANDERSON POWER PRODUCTS		
MATERIALS:	*****	APPROVALS	DATE	CATALOG NUMBER 1319 PP120 CONTACT #2 CABLE MAX.
FINISH	*****	DRAWN	BK 4/26/84	
NEXT ASSY	USED ON	CHECKED	LVR 4/27/84	
APPLICATION	DO NOT SCALE DRAWING	RESP ENG	HHR 4/30/84	
SPECIFICATION:		APP'G ENGR	FER 4/30/84	REV. 3
SCALE: NONE		CADFILES/01053		SHEET 1 OF 1