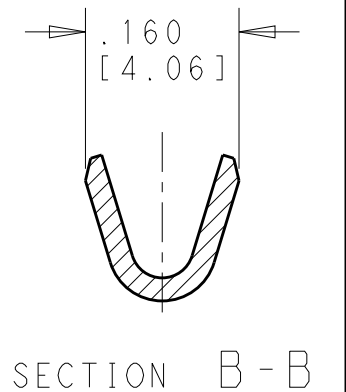
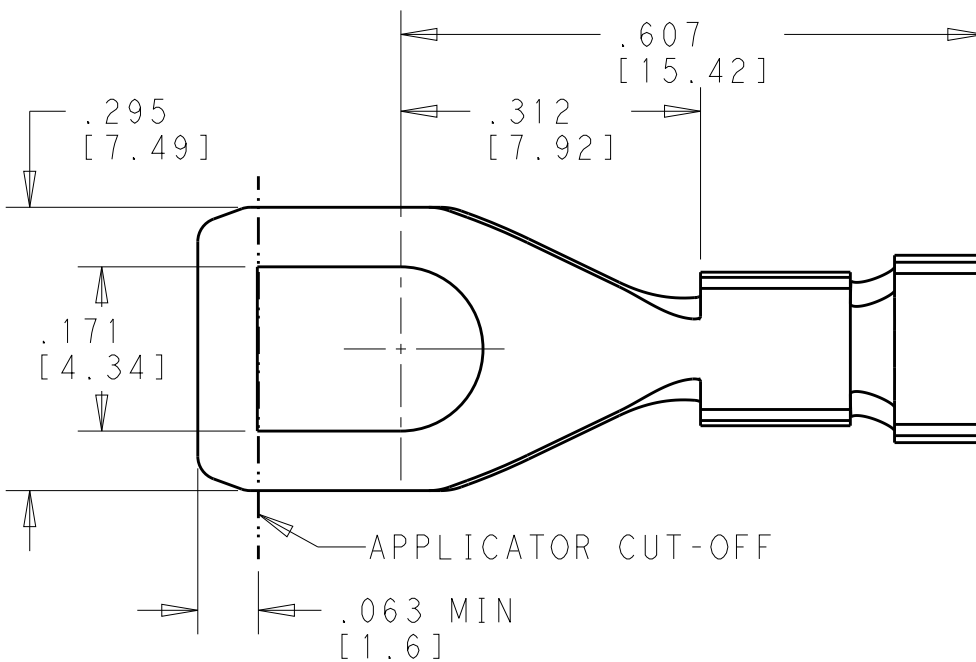
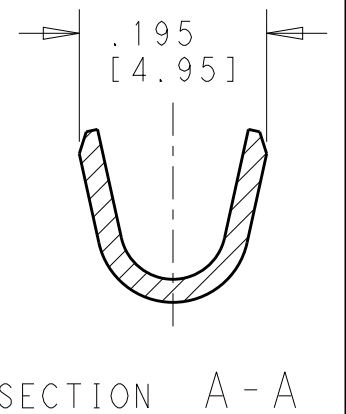
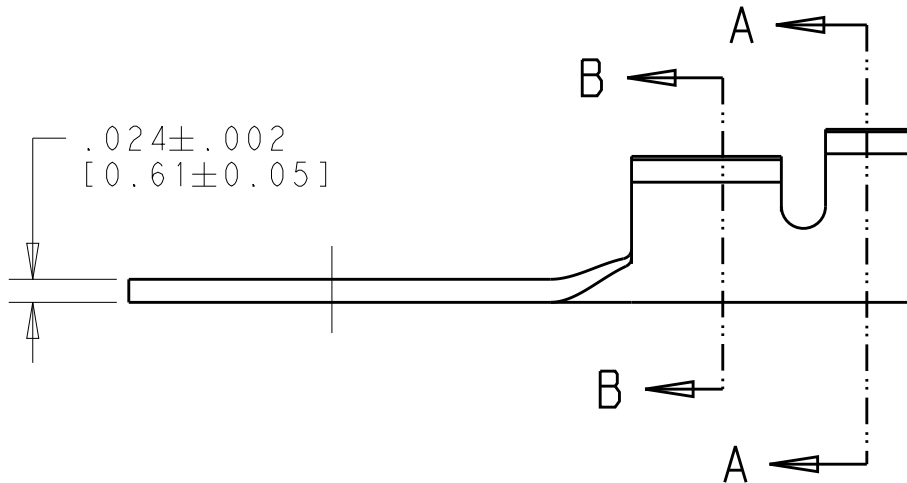


LOC	DIST	REVISIONS					
IR	-	P	LTR	DESCRIPTION	DATE	DWN	APVD
			C1	REDRAWN IN CAD	11MAY2011	PKS	RRP
			C2	REVISED PER ECR-20-012529	30SEPT2020	AA	LZ

WIRE RANGE	18-14 AWG
INSUL. RANGE	∅.098-∅.137



TIN PLATED	BRASS	140791-2
NONE	BRASS	140791-1
FINISH	MATERIAL	P/N

1973


RELEASED FOR PUBLICATION

ALL RIGHTS RESERVED.

1973

© COPYRIGHT 2011

THIS DRAWING IS UNPUBLISHED.

DIMENSIONS: INCHES	DWN SENTHIL	09MAY2011	MATERIAL	SEE TABLE	FINISH	SEE TABLE
	CHK M.GREENER	10MAY2011	 TE Connectivity			
TOLERANCES UNLESS OTHERWISE SPECIFIED:	APVD RAJENDRA	12MAY2011				
0 PLC ±-	PRODUCT SPEC	-	NAME WIRE TERMINAL			
1 PLC ±-	APPLICATION SPEC	-	SIZE	CAGE CODE	DRAWING NO	RESTRICTED TO
2 PLC ±-			A4	00779	C-140791	
3 PLC ±.010			CUSTOMER DRAWING			
4 PLC ±-	WEIGHT	-	SCALE	5:1	SHEET	1 OF 1
ANGLES ±1°					REV	C2

Mouser Electronics

Authorized Distributor

Click to View Pricing, Inventory, Delivery & Lifecycle Information:

[TE Connectivity:](#)

[140791-2](#)