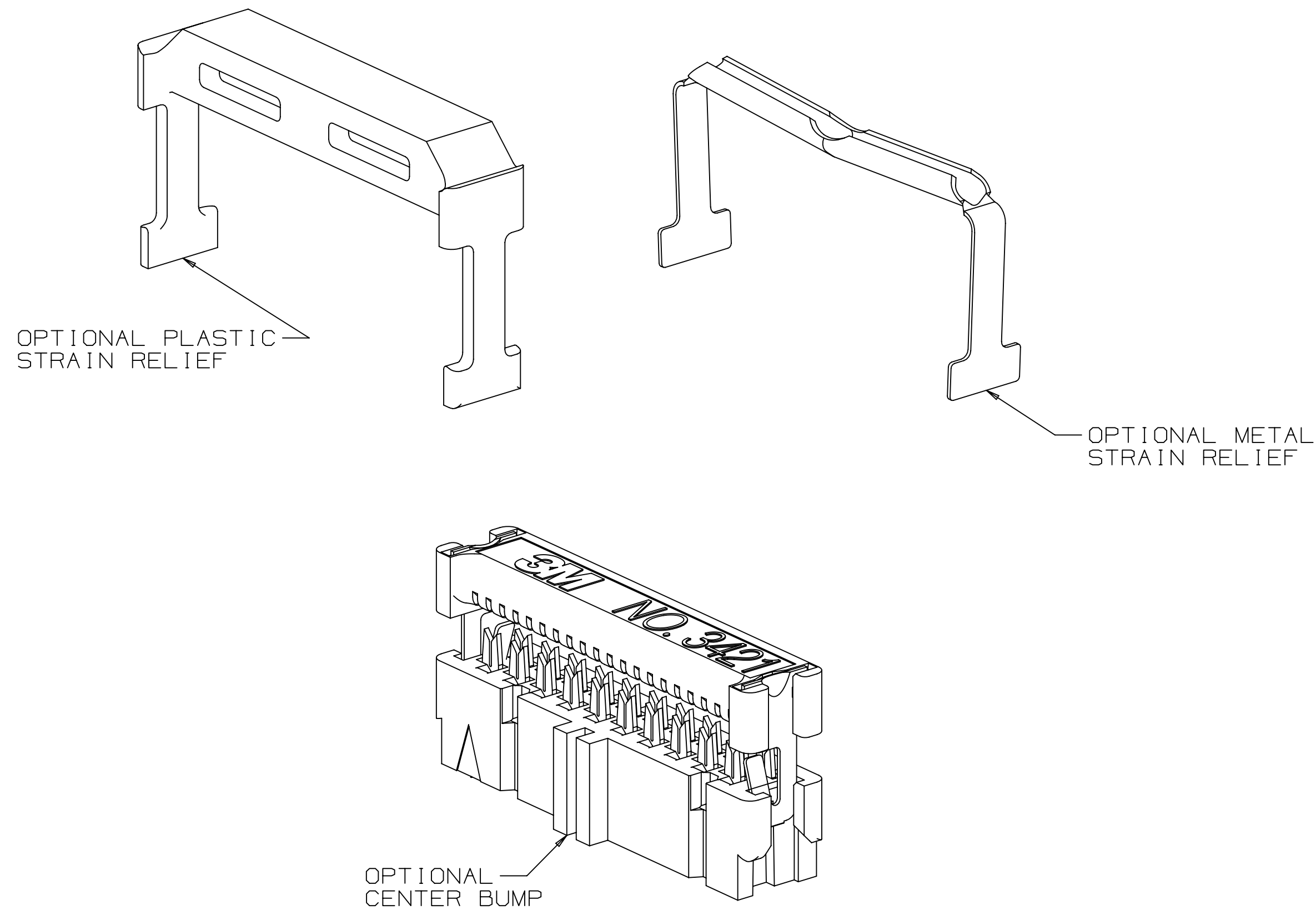


3M™ WIREMOUNT SOCKET PREASSEMBLED, 3000 SERIES
 .100" X .100" FOR .050" PITCH CABLE, (OPTIONAL PLASTIC OR METAL STRAIN RELIEF)



- * INDUSTRY STANDARD IDC SOCKET.
- * OPTIONAL PLASTIC OR LOW PROFILE METAL STRAIN RELIEF.
- * POSITIVE LOCKING METAL "J" CLIPS PROVIDE HIGH COVER RETENTION.
- * MATES WITH 3M HEADERS, PLUGS AND PIN STRIPS FOR QUICK CONNECT/DISCONNECT CAPABILITY.
- * OPEN OR CLOSED END COVERS AVAILABLE.
- * ACCEPTS FLAT CABLE OR DISCRETE WIRE.
- * MILITARY POLARIZATION, WITH OR WITHOUT CENTER BUMP.
- * FASTER TERMINATION, LOWER APPLIED COST AND IMPROVED PRODUCTIVITY.

2 PHYSICAL :

INSULATION: GLASS FILLED POLYESTER (PBT)
 MATERIAL: UL94V-0
 COLOR: GRAY
 CONTACT: COPPER ALLOY
 PLATING: UNDER PLATING AND U-SLOT: 100μ" [2,54μm] AVG. NICKEL-OVERALL
 WIPING AREA: 30μ" [0,76μm] AVG. GOLD
 WIRE ACCOMMODATION: 26 AND 28 AWG SOLID AND STRANDED
 MARKINGS: 3M LOGO, PART IDENTIFICATION NUMBER, ORIENTATION TRIANGLE

2 ELECTRICAL :

CURRENT RATING:

| | 1 LINE | 6 ADJACENT LINES | ALL LINES |
|--------|--------|------------------|-----------|
| 28 AWG | 4.50 | 1.75 | 1.00 |
| 26 AWG | 4.75 | 2.00 | 1.00 |

RATING CONDITIONS: EIA-364-070 METHOD 2, 30°C MAXIMUM TEMPERATURE RISE, 20% DERATED. REFERENCE APPROPRIATE 3M PRODUCT SPECIFICATION FOR CURRENT DERATING CURVES.

INSULATION RESISTANCE: >1 X 10⁹Ω AT 500 V_{DC}
 WITHSTANDING VOLTAGE: 1,000V_{RMS} AT SEA LEVEL

2 ENVIRONMENTAL :

TEMPERATURE RATING: -55°C TO +105°

- NOTES
- REGULATORY INFORMATION: VISIT 3M.com/regs
 - UNLESS OTHERWISE NOTED, REFERENCES TO INDUSTRY SPECIFICATIONS ARE INTENDED TO INDICATE SUBSTANTIAL COMPLIANCE TO THE MATERIAL ELEMENTS OF THE SPECIFICATION. SUCH REFERENCES SHOULD NOT BE CONSTRUED AS A GUARANTEE OF COMPLIANCE TO ALL REQUIREMENTS IN A GIVEN SPECIFICATION.
 - THIS POLARIZING GROOVE IS NON-EXISTENT ON 3863, 3868, 3385 AND 3473 SERIES.
 - THIS POLARIZING GROOVE IS NON-EXISTENT ON 3863 SERIES FOR POLARIZATION OPTION 6.
 - THE LOW PROFILE STRAIN RELIEF CAN BE USED WITH THE 4600 SERIES PLUG AND .100 X .100 HEADERS WITH EJECTOR LATCHES. THE LATCHES WILL ONLY FUNCTION AS AN EJECTOR.
 - TAPERED PIN TIP CONFIGURATION RECOMMENDED.
 - DIMENSION MEASURED AT TIP OF PINS.

ORDERING INFORMATION SOCKETS

XXXX - XXXX

- SOCKET SERIES: (SEE TABLE 1)
- PREASSEMBLED COVER OPTIONS:
- G = OPEN COVER: RECESS ON ODD ROW SIDE
 - H = OPEN COVER: RECESS ON EVEN ROW SIDE
 - J = CLOSED COVER: FOR END CABLE TERMINATION, RECESS ON ODD ROW SIDE, (10-60 POSITION ONLY)
 - K = CLOSED COVER: FOR END CABLE TERMINATION, RECESS ON EVEN ROW SIDE, (10-60 POSITION ONLY)
- STRAIN RELIEF:
- 00 = NO STRAIN RELIEF
 - XX = CONTACT QUANTITY FOR PLASTIC STRAIN RELIEF 10 THRU 60 POSITION (I.E. 50 FOR A 50 POS)
 - 05 = PLASTIC STRAIN RELIEF 6 AND 8 POSITION
 - 06 = METAL STRAIN RELIEF 10 THRU 60 POSITION
- POLARIZATION:
- 0 = MILITARY (DUAL SLOT)
 - 6 = CENTER BUMP AND MILITARY

(ORDER SEPARATELY)
 SEE TS-0720

ORDERING INFORMATION STRAIN RELIEF

3448-XOXX

- TYPE:
- 2 = METAL, LOW PROFILE 10 THRU 60 POSITION (SEE NOTE 3)
 - 3 = PLASTIC
- XX = CONTACT QUANTITY SEE TABLE 1 (I.E. 50 FOR A 50 POSITION STRAIN RELIEF)

ORDERING INFORMATION KEYING PLUG

3435-0000

ORDERING INFORMATION PULL TABS

3490-X

3M ELECTRONICS MATERIALS SOLUTIONS DIVISION
 INTERCONNECT SOLUTIONS
<http://www.3M.com/interconnect>

3M IS A TRADEMARK OF 3M COMPANY.
 FOR TECHNICAL, SALES OR ORDERING INFORMATION CALL 800-225-5373



DIMENSIONS: INCHES [MM]
 [MM] IS REF. ONLY

| REV | ECO | ISSUE DATE AND DESCRIPTION | DRFT | CHKD |
|-----|-------|-------------------------------------|------|------|
| F | 97305 | JUN 22, 2021 REVISED AND REDRAWN | JNC | SAN |

| DESIGN REFERENCE | NEXT ASSEMBLY |
|------------------|---------------|
| | |

| DO NOT SCALE DRAWING | SCALE | TOLERANCES EXCEPT AS NOTED |
|----------------------|--------|----------------------------|
| | 4 1 | |

| INCHES | MILLIMETERS |
|--------|-------------|
| 0 | 0 |
| .01 | .25 |
| .005 | .125 |
| .0002 | .005 |

3M Center St. Paul, MN 55144

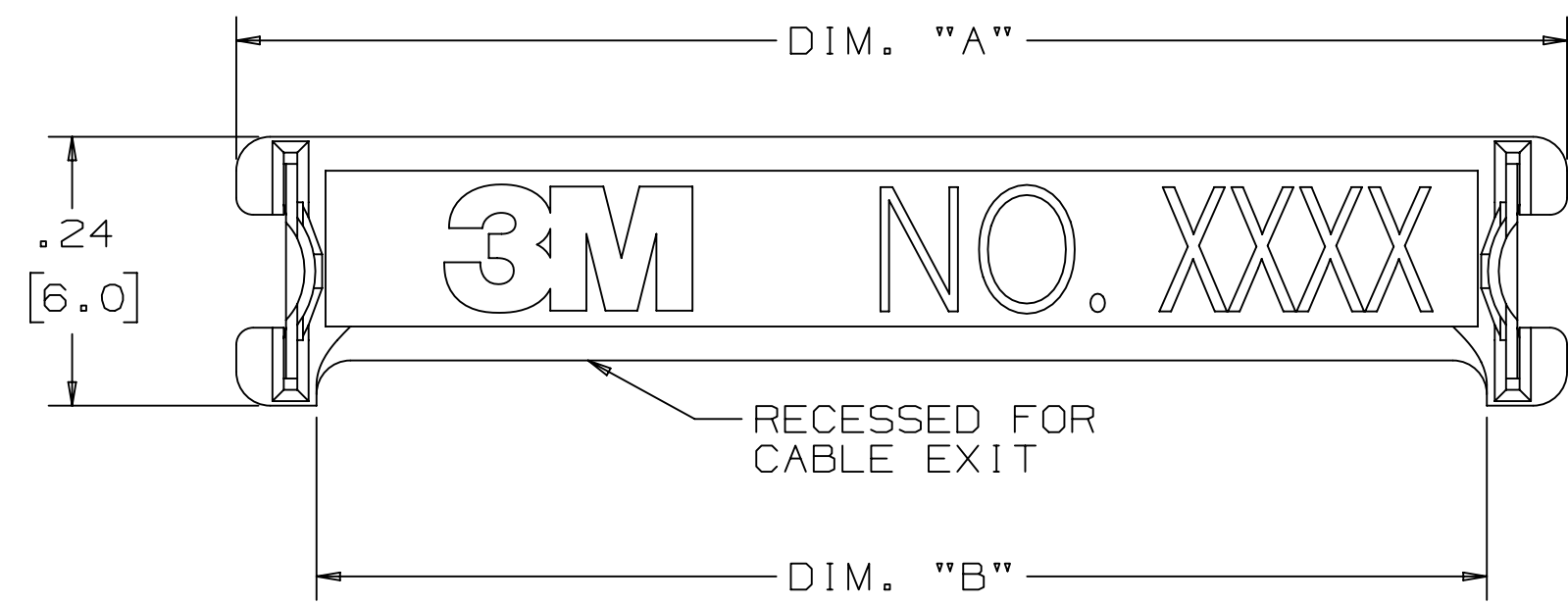
© 3M COPYRIGHT 2021
 This document and the information it contains are 3M property and may not be reproduced or further distributed without 3M permission, or used or disclosed other than for 3M authorized purposes. All rights reserved.

TITLE: WMT SKT, PREASS'Y, .100" X .100", .050" PITCH CABLE

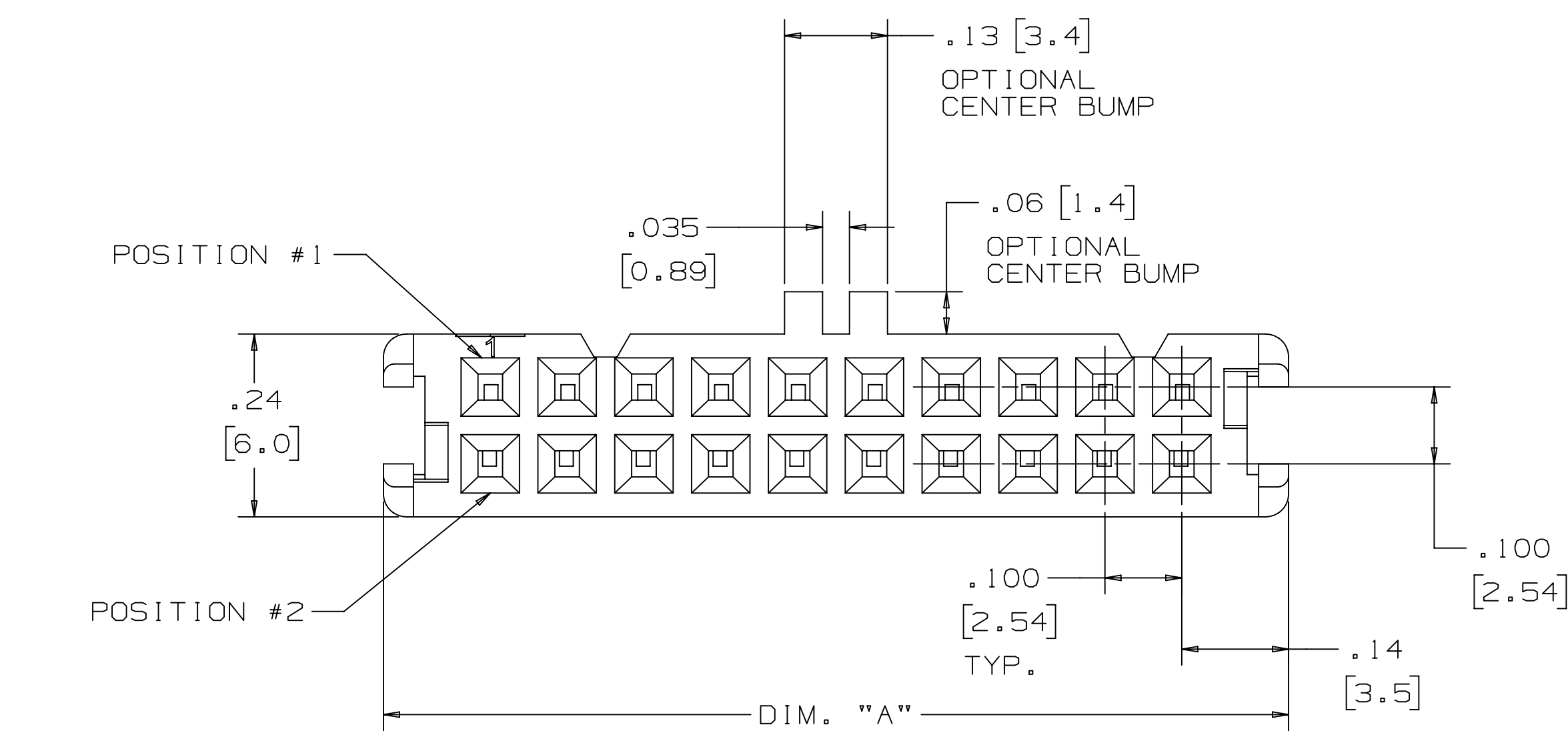
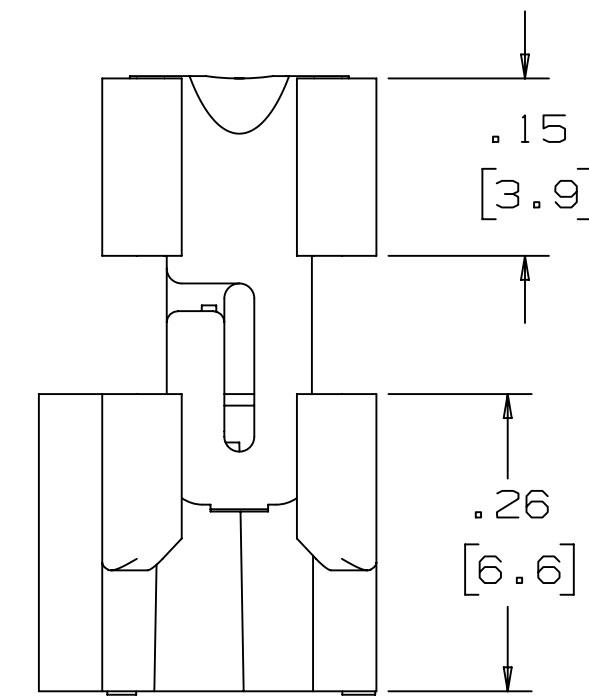
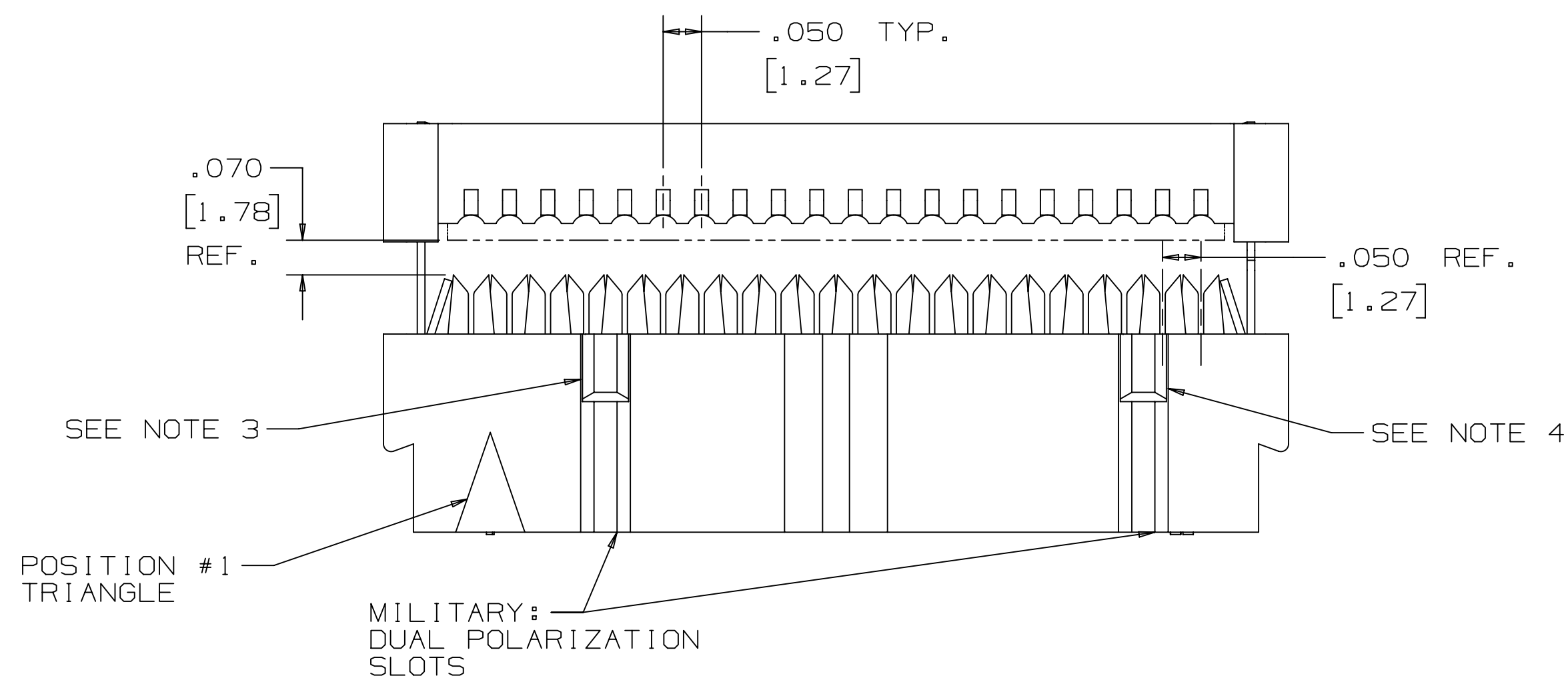
CAGE NUMBER: D78-5100-0719-4
 MODEL: 3000
 REV. F
 SHEET 1 OF 4

78-5100-0719-4 DRAWING NUMBER

3M™ WIREMOUNT SOCKET PREASSEMBLED, 3000 SERIES
 .100" X .100" FOR .050" PITCH CABLE, (OPTIONAL PLASTIC OR METAL STRAIN RELIEF)



| TABLE 1 | | | |
|--------------|---------------|-------------|-------------|
| CONTACT QTY. | SOCKET SERIES | DIM. "A" | DIM. "B" |
| 06 | 3863 | 0.48 [12.2] | 0.34 [8.6] |
| 08 | 3868 | 0.58 [14.7] | 0.44 [11.2] |
| 10 | 3473 | 0.68 [17.3] | 0.54 [13.7] |
| 14 | 3385 | 0.88 [22.4] | 0.74 [18.8] |
| 16 | 3452 | 0.98 [24.9] | 0.84 [21.3] |
| 20 | 3421 | 1.18 [30.0] | 1.04 [26.4] |
| 24 | 3626 | 1.38 [35.1] | 1.24 [31.5] |
| 26 | 3399 | 1.48 [37.6] | 1.34 [34.0] |
| 30 | 3419 | 1.68 [42.7] | 1.54 [39.1] |
| 34 | 3414 | 1.88 [47.8] | 1.74 [44.2] |
| 36 | 9436 | 1.98 [50.3] | 1.84 [46.7] |
| 40 | 3417 | 2.18 [55.4] | 2.04 [51.8] |
| 44 | 9444 | 2.38 [60.5] | 2.24 [56.9] |
| 50 | 3425 | 2.68 [68.1] | 2.54 [64.5] |
| 60 | 3334 | 3.18 [80.8] | 3.04 [77.2] |

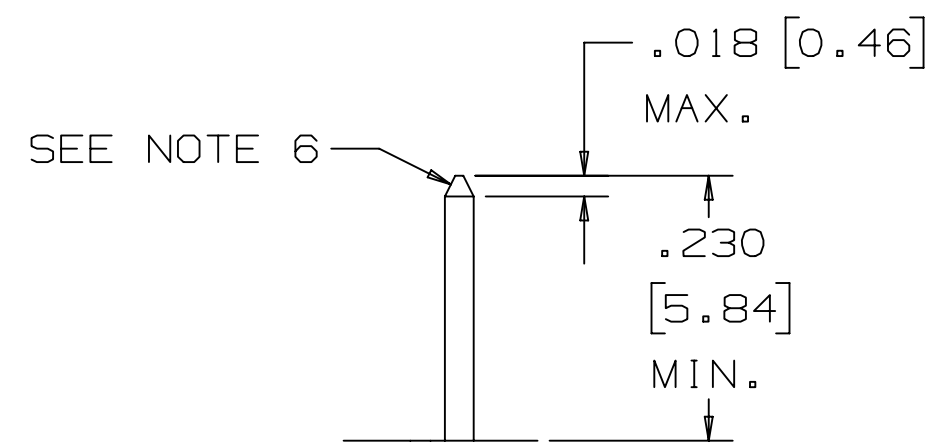
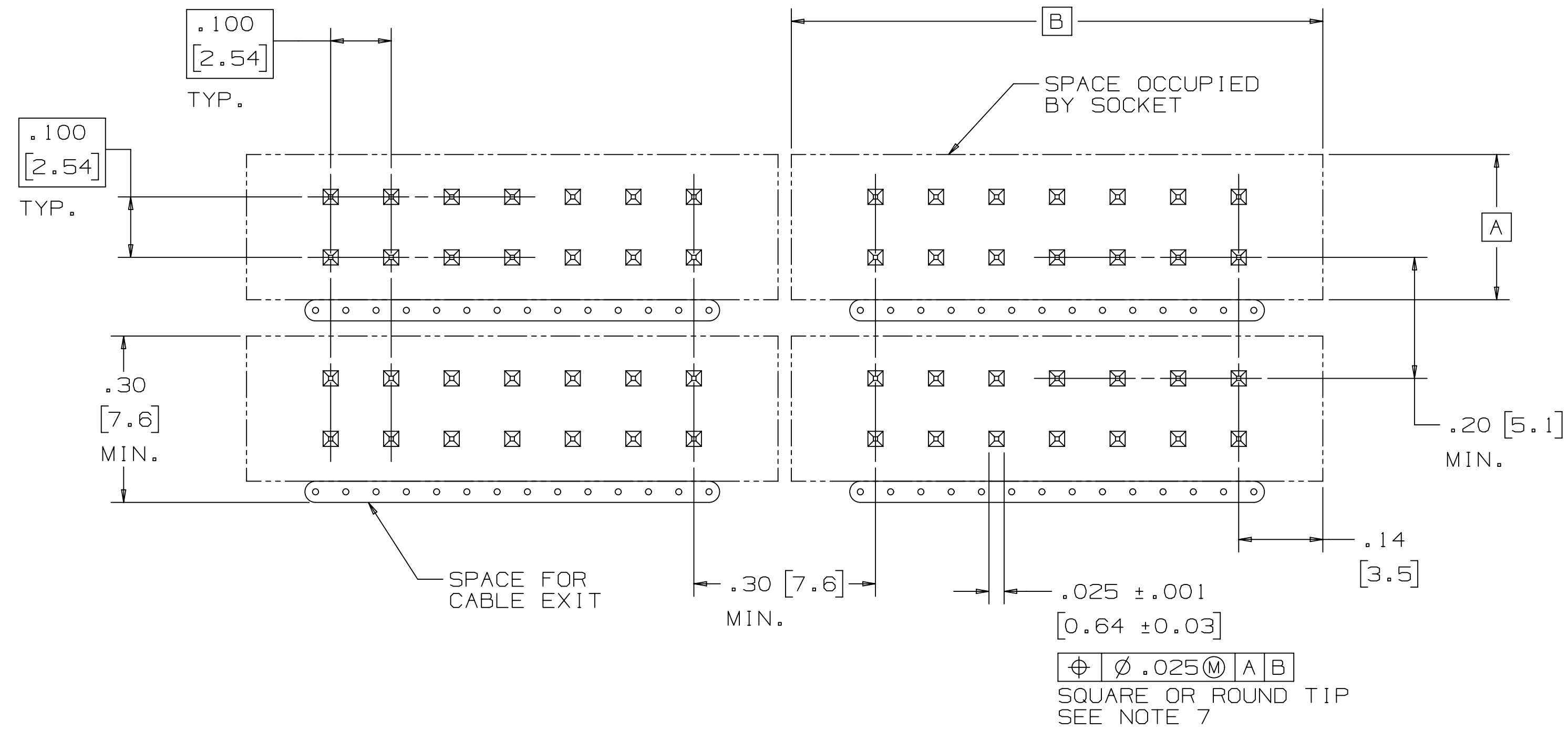


| | | | | | | |
|---------------------------------|---------------|---------------|-----|-------------------------------------|------|------|
| DESIGN REFERENCE | NEXT ASSEMBLY | REV | ECO | ISSUE DATE AND DESCRIPTION | DRFT | CHKD |
| | | | | JUN 22, 2021 REVISED AND REDRAWN | JNC | SAN |
| DIVISION | | DIVISION CODE | | DATE | | |
| EMSD | | EMSD | | JUN 22, 2021 | | |
| DO NOT SCALE DRAWING | | SCALE | | TOLERANCES EXCEPT AS NOTED | | |
| | | 6/1 | | INCHES | | |
| | | | | .0 ± .1 | | |
| | | | | .00 ± .01 | | |
| | | | | .000 ± .005 | | |
| | | | | .0000 ± .0002 | | |
| THIRD ANGLE PROJECTION | | | | MILLIMETERS | | |
| INTERPRET PER ASME Y14.5 - 2018 | | | | 0 ± | | |
| MAX. SURFACE ROUGHNESS | | | | .0 ± | | |
| ALL SURFACES | | | | .00 ± | | |
| MARKED ONLY | | | | .000 ± | | |
| | | | | ANGLES ± | | |
| CAGE NUMBER | | SIZE | | DRAWING NO. | | |
| D78-5100-0719-4 | | F | | REV. | | |
| MODEL | | 3000 | | DET | | |
| | | | | LISTS YES NO SHT 2 OF 4 | | |

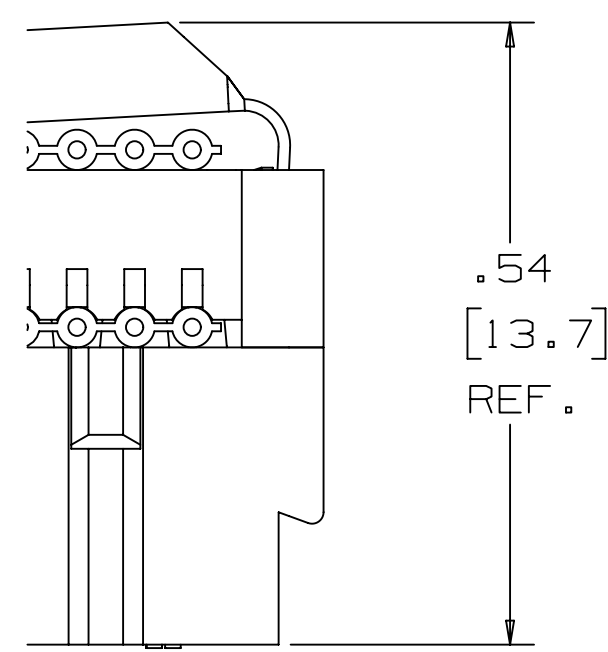
78-5100-0719-4
DRAWING NUMBER

A

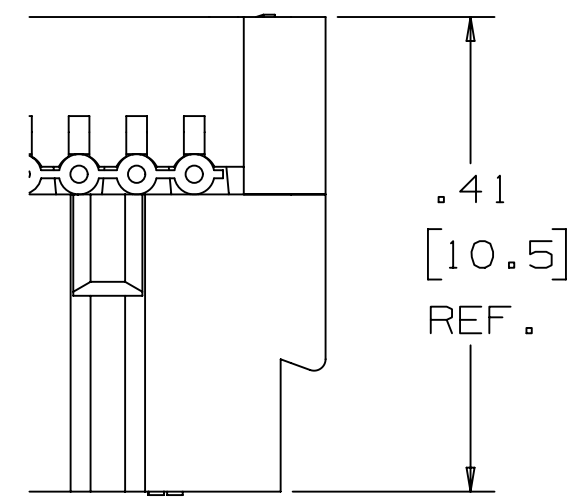
3M™ WIREMOUNT SOCKET PREASSEMBLED, 3000 SERIES
 .100" X .100" FOR .050" PITCH CABLE, (OPTIONAL PLASTIC OR METAL STRAIN RELIEF)



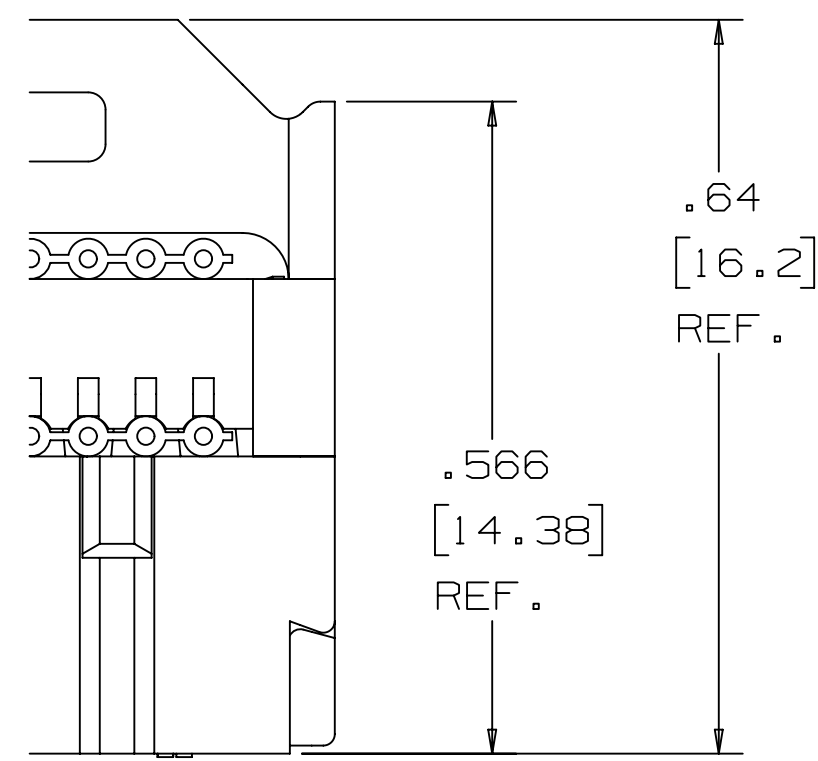
RECOMMENDED PIN PATTERN FOR STACKED CONFIGURATIONS



ASSEMBLED HEIGHT WITH METAL PROFILE STRAIN RELIEF



ASSEMBLED HEIGHT WITHOUT STRAIN RELIEF



ASSEMBLED HEIGHT WITH PLASTIC STRAIN RELIEF

| | | | | | | | | | |
|------------------------|-----------|---------------------------------|--|--|-----|----------------------------|--|------------|------|
| DESIGN REFERENCE | | NEXT ASSEMBLY | | REV | ECO | ISSUE DATE AND DESCRIPTION | | DRFT | CHKD |
| 97305 | | JUN 22, 2021 | | JNC | SAN | REVISED AND REDRAWN | | | |
| DRFT CASTIGLIONE | | DATE JUN 22, 2021 | | MFG | | DATE | | | |
| CHKD | | DATE | | APPRV S. NEU | | DATE JUN 22, 2021 | | | |
| DIVISION | | DIVISION CODE | | 3M Center St. Paul, MN 55144 © 3M COPYRIGHT 2021 This document and the information it contains are 3M property and may not be reproduced or further distributed without 3M permission, or used or disclosed other than for 3M authorized purposes. All rights reserved. | | | | | |
| DO NOT SCALE DRAWING | SCALE 6/1 | TOLERANCES EXCEPT AS NOTED | | INCHES .00 ± .01 .000 ± .005 .0000 ± .0002 MILLIMETERS ± .00 ± .00 ± .000 ± | | | | | |
| THIRD ANGLE PROJECTION | | INTERPRET PER ASME Y14.5 - 2018 | | TITLE WMT SKT, PREASS'Y, .100" X .100", .050" PITCH CABLE | | | | | |
| MAX SURFACE ROUGHNESS | | MARKED ONLY | | CAGE NUMBER | | DRAWING NO. | | REV. | |
| | | | | D78-5100-0719-4 | | F | | SHT 3 OF 4 | |
| | | | | MODEL 3000 | | DET | | YES NO | |

78-5100-0719-4
DRAWING NUMBER
REVISION

3M™ WIREMOUNT SOCKET PREASSEMBLED, 3000 SERIES
 .100" X .100" FOR .050" PITCH CABLE, (OPTIONAL PLASTIC OR METAL STRAIN RELIEF)

Regulatory: For regulatory information about this product, visit 3M.com/regs or contact your 3M representative.

Technical Information: The technical information, recommendations and other statements contained in this document are based upon tests or experience that 3M believes are reliable, but the accuracy or completeness of such information is not guaranteed.

Product Use: Many factors beyond 3M's control and uniquely within user's control can affect the use and performance of a 3M product in a particular application. Given the variety of factors that can affect the use and performance of a 3M product, user is solely responsible for evaluating the 3M product and determining whether it is fit for a particular purpose and suitable for user's method of application.

Warranty, Limited Remedy, and Disclaimer: Unless an additional warranty is specifically stated on the applicable 3M product packaging or product literature, 3M warrants that each 3M product meets the applicable 3M product specification at the time 3M ships the product. 3M MAKES NO OTHER WARRANTIES OR CONDITIONS, EXPRESS OR IMPLIED, INCLUDING, BUT NOT LIMITED TO, ANY IMPLIED WARRANTY OR CONDITION OF MERCHANTABILITY OR FITNESS FOR A PARTICULAR PURPOSE OR ANY IMPLIED WARRANTY OR CONDITION ARISING OUT OF A COURSE OF DEALING, CUSTOM OR USAGE OR TRADE. If the 3M product does not conform to this warranty, then the sole and exclusive remedy is, at 3M's option, replacement of the 3M product or refund of the purchase price.

Limitation of Liability: Except where prohibited by law, 3M will not be liable for any loss or damage arising from the 3M product, whether direct, indirect, special, incidental or consequential, regardless of the legal theory asserted, including warranty, contract, negligence or strict liability.

3M Company
 Electronics Materials Solutions Division
 13011 McCallen Pass, Bldg. C
 Austin, TX 78753-5380
 1-800-225-5373
www.3M.com/interconnect

| | | | | | | | | | |
|----------------------|-----------|----------------------------|--|----------------------|-----|--|--|--|------|
| DESIGN REFERENCE | | NEXT ASSEMBLY | | REV | ECO | ISSUE DATE AND DESCRIPTION | | DRFT | CHKD |
| 97305 | | | | | | JUN 22, 2021 | | JNC | SAN |
| OFF | | DATE | | DATE | | DATE | | DATE | |
| CASTIGLIONE | | JUN 22, 2021 | | MFG | | JUN 22, 2021 | | | |
| CHKD | | DATE | | APPR | | DATE | | DATE | |
| | | | | S. NEU | | JUN 22, 2021 | | | |
| DIVISION | | DIVISION CODE | | 3M Center | | © 3M COPYRIGHT 2021 | | | |
| | | EMSD | | St. Paul, MN 55144 | | This document and the information it contains are 3M property and may not be reproduced or further distributed without 3M permission, or used or disclosed other than for 3M authorized purposes. All rights reserved. | | | |
| DO NOT SCALE DRAWING | SCALE 8/1 | TOLERANCES EXCEPT AS NOTED | | TITLE | | | | | |
| | | INCHES | | WMT SKT, PREASS'Y, | | | | | |
| | | .00 ± .01 | | .100" X .100", .050" | | | | | |
| | | .0000 ± .0002 | | PITCH CABLE | | | | | |
| | | MILLIMETERS | | CAGE NUMBER | | DRAWING NO. | | REV. | |
| | | 0 ± | | D78-5100-0719-4 | | F | | | |
| | | .00 ± | | MODEL | | 3000 | | DET | |
| | | .000 ± | | | | | | LISTS <input type="checkbox"/> YES <input checked="" type="checkbox"/> NO SHT 4 OF 4 | |
| | | ANGLES ± | | | | | | | |

78-5100-0719-4
DRAWING NUMBER
Revision

Mouser Electronics

Authorized Distributor

Click to View Pricing, Inventory, Delivery & Lifecycle Information:

[3M:](#)

[3448-2024](#) [3448-2026](#) [3448-3026](#) [3448-3014](#) [3448-3050](#) [3448-2010](#) [3399-G600](#) [3399-J000](#) [3473-J000](#) [3473-G600](#) [3421-G600](#) [3414-G600](#) [3385-G614](#) [3473-H600](#) [3385-H600](#) [3421-H600](#) [3399-H600](#) [3414-H600](#) [3417-H600](#) [3425-H600](#) [3448-3008](#) [7100176322](#)