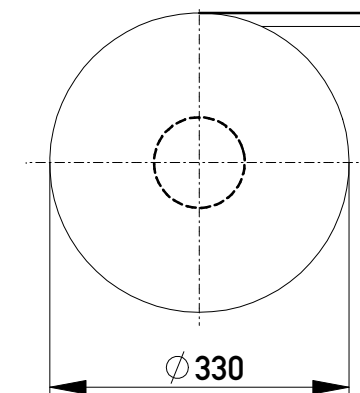
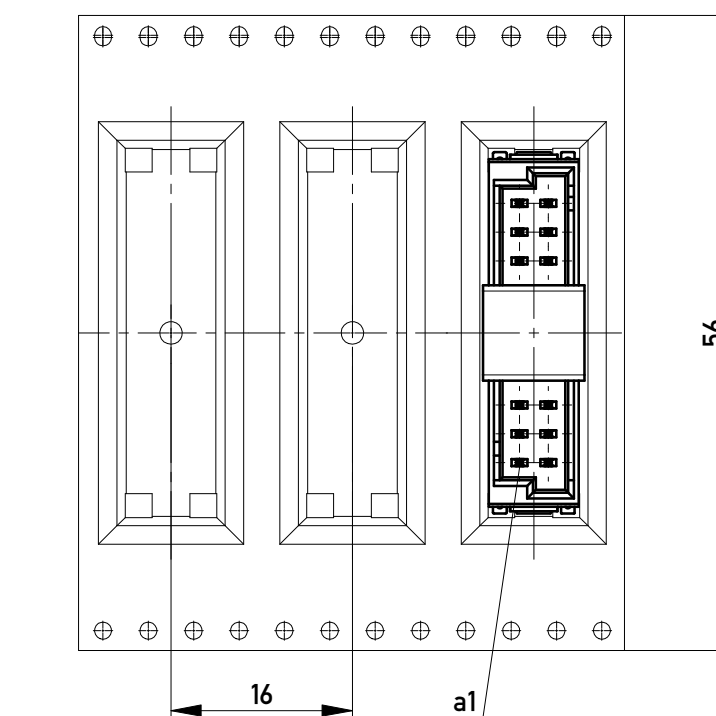


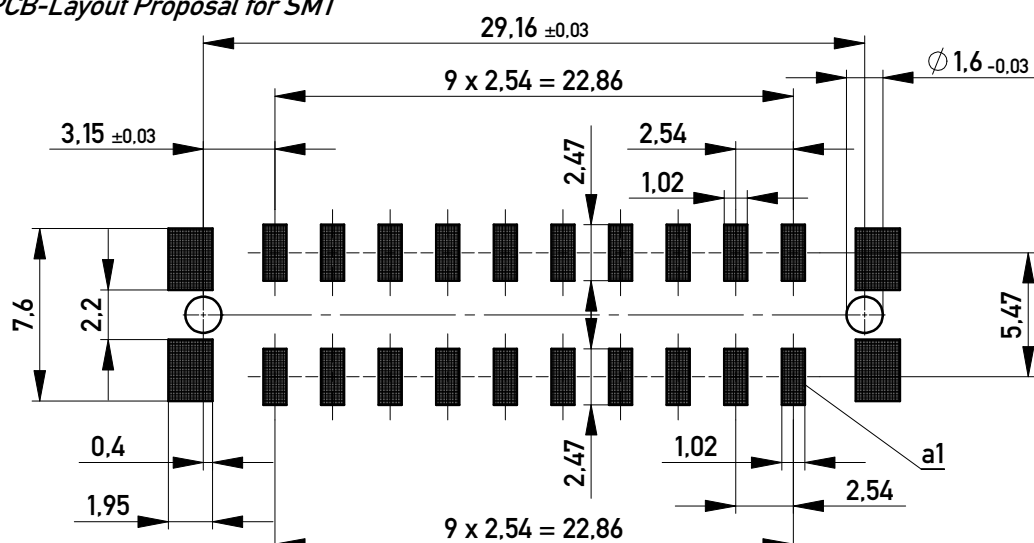
Verpackt im Gurt in Anlehnung an DIN IEC 60286-3
 Tape on Reel Packaging according to DIN IEC 60286-3
 Verpackungseinheit: 320 Stück
 Packaging unit: 320 pcs



Abspulrichtung - Reel off Direction



Leiterplatten-Layout Vorschlag für SMT
 PCB-Layout Proposal for SMT



Anforderungsstufe 1
 Performance Level 1

Kontaktbereich vergoldet
 Mating Area gold plating

Anschlussbereich verzinkt 4-6 µm
 Terminal Area 4-6 µm tin plating

Koplanarität der Anschlüsse ≤ 0.1 mm
 Coplanarity Area of Termination ≤ 0.1 mm

Ident-Nr. part-no.	Codierung coding	Farbe color	A	B	C	D	Bemerkung note
464689		rot red	5.4	6.6	0.6	11.4	
464688		grün green	3.6	8.4	5.4	6.6	
464687		blau blue	1.8	10.2	3.6	8.4	
464686		schwarz black	0.6	11.4	1.8	10.2	

für höhere Spannungsfestigkeit
 for higher voltage proof

Information:		Tolerances		Scale	3:1
All rights reserved. Only for Information. To ensure that this is the latest version of this drawing, please contact one of the ERNI companies before using.		Subject to modification without prior notice. Drawing will not be updated.		Designation	
				M 2,54 DRC-Q, 20-polig	
c		21.10.2015		324221	
Index		Date		Class	
				DRCQ	
				I	
				A3	

Mouser Electronics

Authorized Distributor

Click to View Pricing, Inventory, Delivery & Lifecycle Information:

[TE Connectivity:](#)

[464686](#) [464687](#) [464688](#) [464689](#) [464686-E](#) [464688-E](#) [464687-E](#) [464689-E](#)