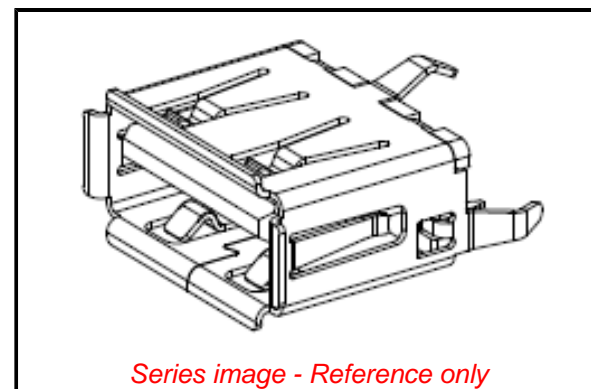


PLEASE CHECK WWW.MOLEX.COM FOR LATEST PART INFORMATION

Part Number: [1050570001](#)
Status: **Active**
Overview: Consumer USB Products
Description: Universal Serial Bus (USB) Shielded I/O Type A Receptacle, Vertical, 0.76µm Gold (Au) Plating, Solder Tail Length 2.80mm, with 3 Beveled Metal Pins, Tray Package, Lead-Free

Documents:

3D Model	Product Specification TS-105057-001-001 (PDF)
Drawing (PDF)	Packaging Specification PK-105057-001 (PDF)
Product Specification PS-105057-001-001 (PDF)	RoHS Certificate of Compliance (PDF)



General

Product Family	I/O Connectors
Series	105057
Application	Wire-to-Board
Component Type	Receptacle
Electrical Model	Yes
Overview	Consumer USB Products
Product Name	USB 2.0
Type	A
UPC	191128079204

Physical

Circuits (Loaded)	4
Color - Resin	Black
Gender	Receptacle
Lock to Mating Part	Yes
Material - Plating Mating	Gold
Material - Plating Termination	Tin
Net Weight	1.160/g
Orientation	Vertical
PC Tail Length	2.80mm
PCB Locator	No
PCB Retention	Yes
PCB Thickness - Recommended	1.60mm
Packaging Type	Tray
Panel Mount	No
Pitch - Mating Interface	2.00mm
Plating min - Mating	0.762µm
Plating min - Termination	3.810µm
Polarized to Mating Part	Yes
Surface Mount Compatible (SMC)	No
Temperature Range - Operating	-40°C to +85°C
Termination Interface: Style	Through Hole

Electrical

Current - Maximum per Contact	1.5A
Shielded	Yes
Voltage - Maximum	30V

Solder Process Data

Duration at Max. Process Temperature (seconds)	004
Lead-free Process Capability	REFLOW
Max. Cycles at Max. Process Temperature	001
Process Temperature max. C	245

Material Info

EU ELV

Compliant

EU RoHS

Compliant

REACH SVHC

Not Contained Per -
ED/30/2017 (7 July
2017)

Halogen-Free

Status

Low-Halogen

Need more information on product environmental compliance?

Email productcompliance@molex.com
Please visit the [Contact Us](#) section for any non-product compliance questions.

China ROHS	Green Image
ELV	Compliant
RoHS Phthalates	Not Contained

Search Parts in this Series

[105057 Series](#)

Mates With

USB Type A Cable

Reference - Drawing Numbers

Electrical Model Document

EE-105057-001

Packaging Specification

PK-105057-001

Product Specification

PS-105057-001-001, TS-105057-001-001

S-Parameter Model

SP-105057-001

Sales Drawing

SD-105057-001

This document was generated on 10/10/2017

PLEASE CHECK WWW.MOLEX.COM FOR LATEST PART INFORMATION