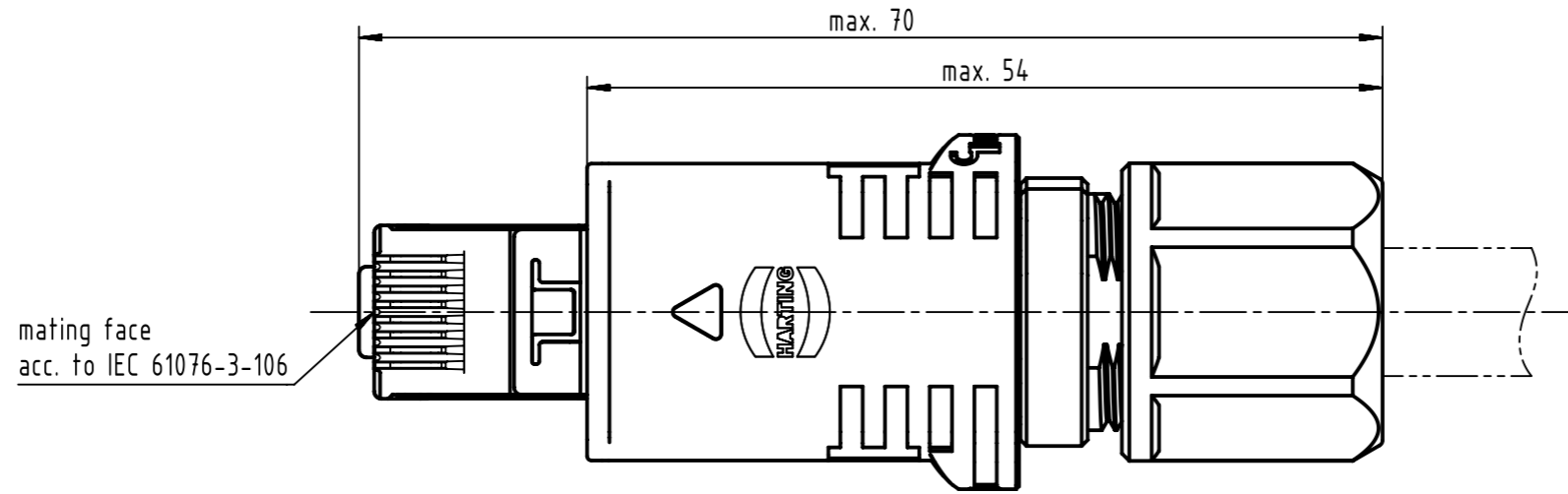
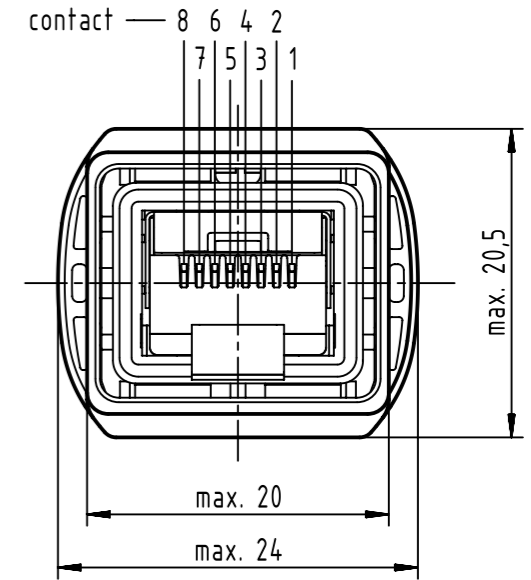
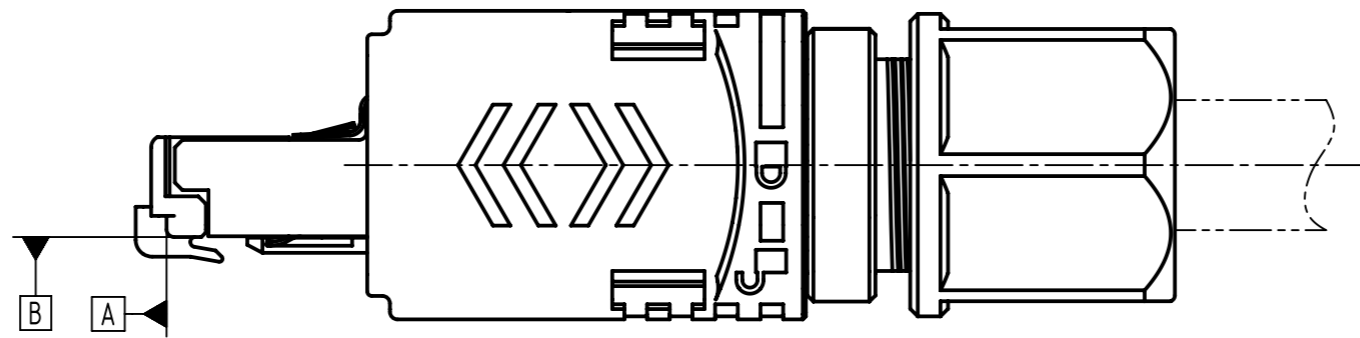
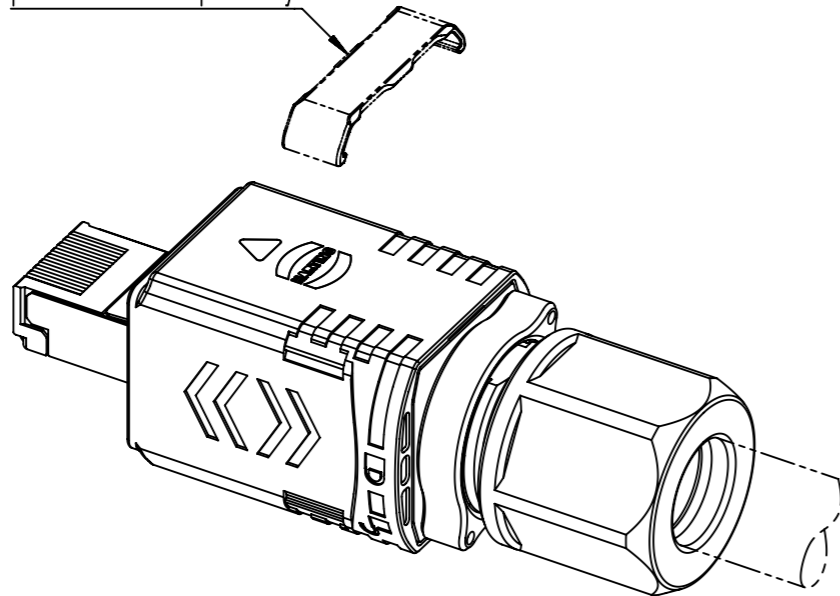



HARTING PushPull V4 Plug and RJ45, not assembled



Coding Clip for Plug
see TB 0945840000X
please order separately



further information see DS 09455100601

	All rights reserved Department EL PD	Created by ZWAHR	Inspected by LEHNERT	Standardisation HOFFMANN	Date 2018-06-28	State Final Release	Ref. Sub.
	HARTING Electronics GmbH D-32339 Espelkamp	Title HARTING PushPull V4 Plug, RJ45, Cat. 6A, 8-pole				Doc-Key / ECM-Nr. 100657735/UGD/000/F 500000136989	
		Type TB	Number 09451451521		Rev. F	Page 1/1	