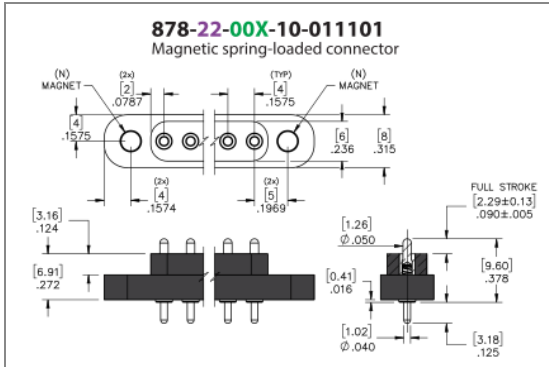




PRODUCT NUMBER: 878-22-006-10-011101

www.mill-max.com
DATA SHEET



878-22-006-10-011101- SPECIFICATIONS

General Info	
Description¹:	PCB Mount Spring-Loaded Header Magnetic Vertical Mount Through-Hole
Type:	Spring-Loaded
Category:	Maxnetic™ Spring-Loaded Header
Mounting Style:	Mounting Tabs with Magnetic Inserts
# Pins:	6
Packaging:	Packaged in Tubes
Pitch:	.158" (4,001mm)
Rows:	Single Row
Product Lifecycle:	Active

Environmental Specs	
Temperature Range:	-55/+80° C
Shock²:	No Elect. Discontinuity > 1µs @ 50g
Vibration²:	No Elect. Discontinuity > 1µs @ 10-2000HZ, 15 G
RoHS³:	Yes

Mechanical Specs	
Durability:	100,000 to 1,000,000 Cycles @ Mid-Stroke

Materials	
Shell Plating:	20µ" Gold over Nickel
Inner Plating:	(Spring) 10µ" Gold
Insulator Material:	Nylon 4/6

Technical Specs	
Initial Height:	.378" (9,601mm)
Stroke:	.090" (2,286mm)

Electrical Specs	
Rated Voltage:	100 VRMS/150 VDC
Insulation Resistance:	10,000 MΩ min.
Dielectric Withstanding Voltage:	1,000 VRMS min.

