

ANT-PCB3707

Features

- Freq. Range 824-960/1710-2170MHz
- Omni Directional 1/2 Wave
- Miniature 37 x 7 x 1mm
- VSWR <2.0
- 50Ω Impedance
- <0dBi Gain (nominal)
- Linear Polarization
- IPEX/UFL Connector
- Operating temp -40 to +85°C
- Cable: RF1.37
- ROHS Compliant
- 50mm cable
- Vibration: 10-55Hz, 1.5mm amplitude 2hrs



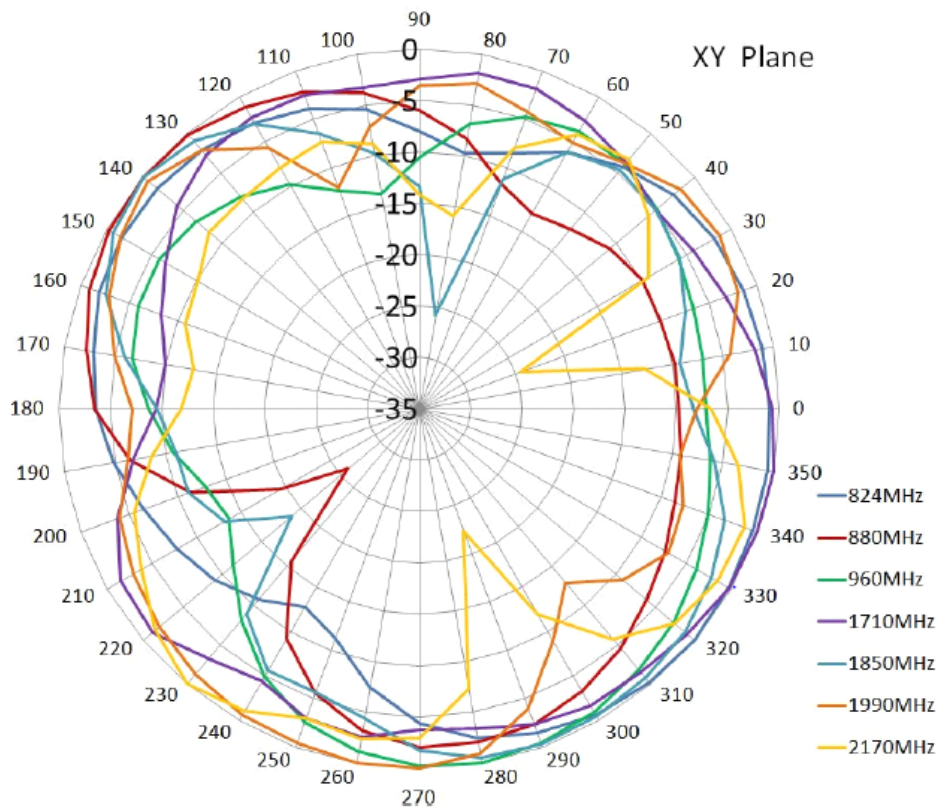
Applications

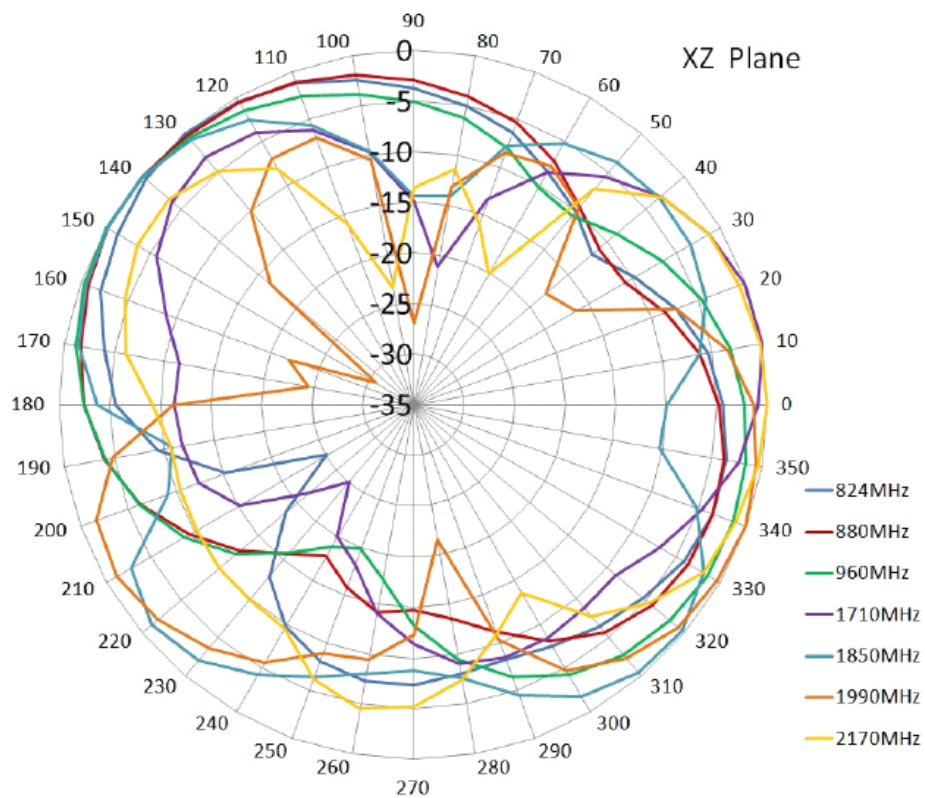
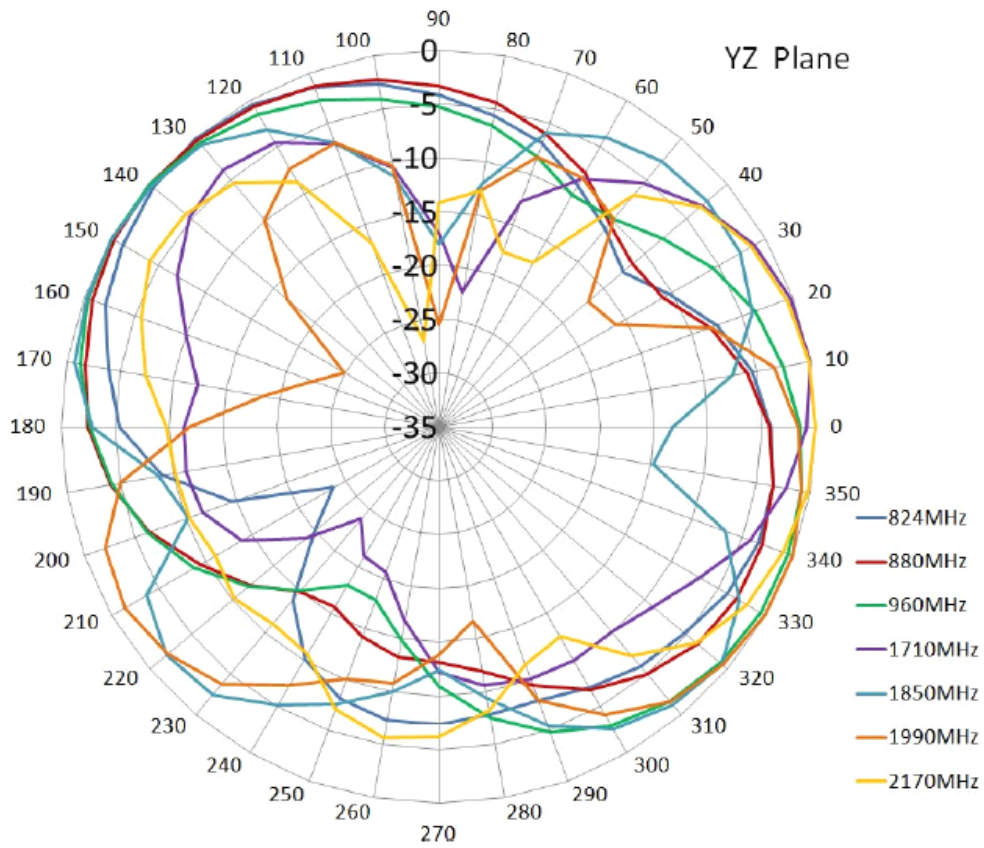
- Embedded GSM Systems
- 868MHZ ISM Systems

Ordering Information

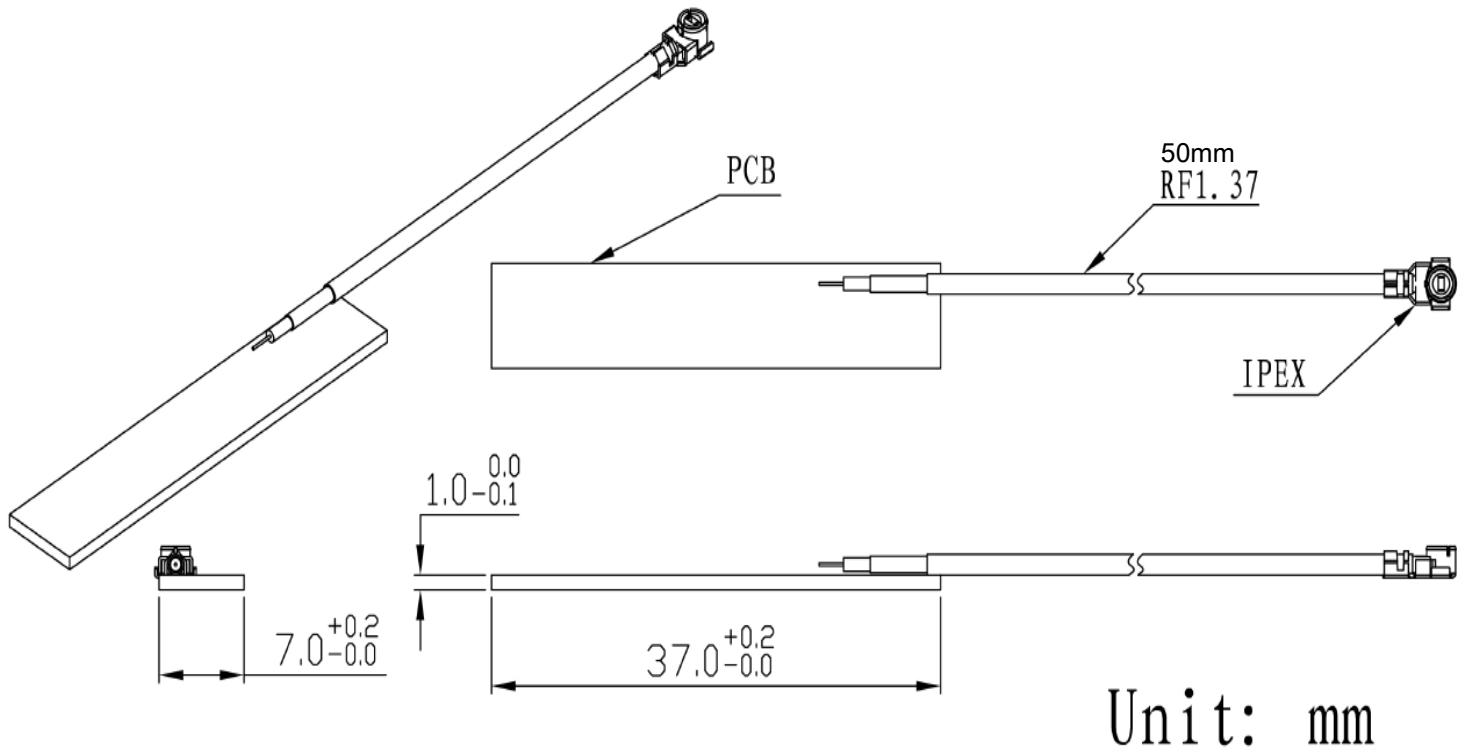
PART No	Description
ANT-PCB3707-UFL	Miniature PCB Multi Frequency antenna 44mm coax

Radiation Patterns





ANT-PCB3707



RF Solutions Ltd. Recycling Notice

Meets the following EC Directives:

DO NOT

Discard with normal waste, please recycle.

ROHS Directive 2002/95/EC

Specifies certain limits for hazardous substances.

WEEE Directive 2002/96/EC

Waste electrical & electronic equipment. This product must be disposed of through a licensed WEEE collection point. RF Solutions Ltd., fulfils its WEEE obligations by

Disclaimer:

Whilst the information in this document is believed to be correct at the time of issue, RF Solutions Ltd does not accept any liability whatsoever for its accuracy, adequacy or completeness. No express or implied warranty or representation is given relating to the information contained in this document. RF Solutions Ltd reserves the right to make changes and improvements to the product(s) described herein without notice. Buyers and other users should determine for themselves the suitability of any such information or products for their own particular requirements or specification(s). RF Solutions Ltd shall not be liable for any loss or damage caused as a result of user's own determination of how to deploy or use RF Solutions Ltd's products. Use of RF Solutions Ltd products or components in life support and/or safety applications is not authorised except with express written approval. No licences are created, implicitly or otherwise, under any of RF Solutions Ltd's intellectual property rights. Liability for loss or damage resulting or caused by reliance on the information contained herein or from the use of the product (including liability resulting from negligence or where RF Solutions Ltd was aware of the possibility of such loss or damage arising) is excluded. This will not operate to limit or restrict RF Solutions Ltd's liability for death or personal injury resulting from its negligence.

www.rfsolutions.co.uk

RF Solutions Ltd

William Alexander House, William Way, Burgess Hill, West Sussex, RH15 9AG
Sales: +44(0)1444 227 910 Tech Support: +44(0)1444-227909

