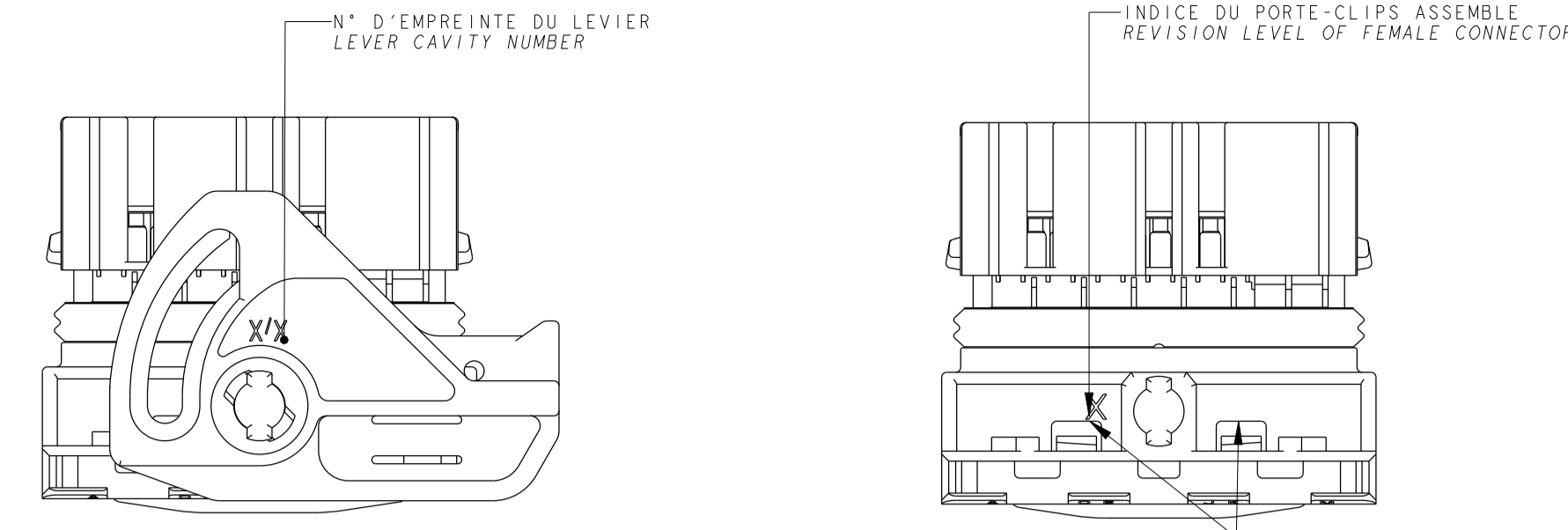
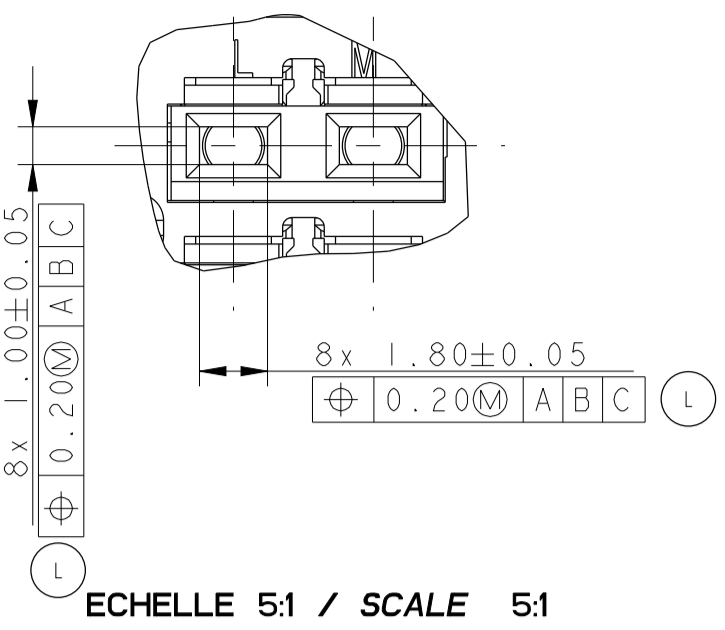
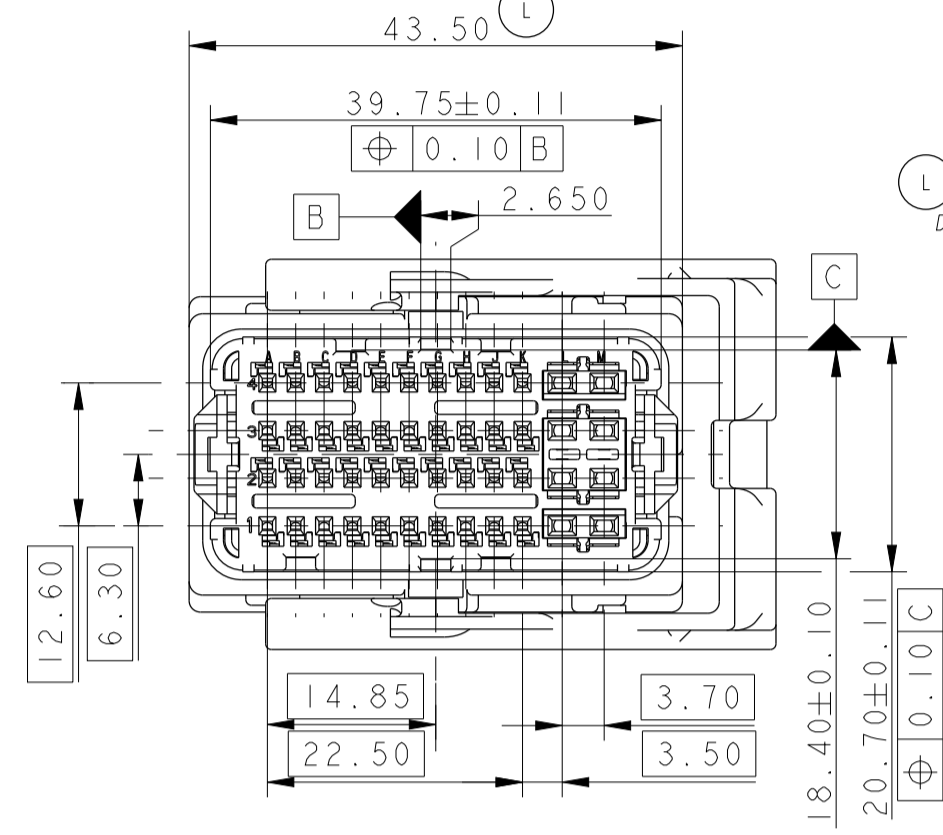


**DETAIL ALVEOLES 15**  
**DETAIL CAVITIES 15**

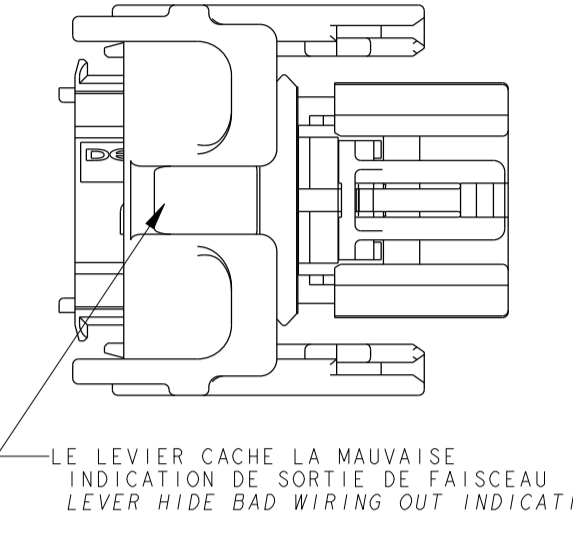
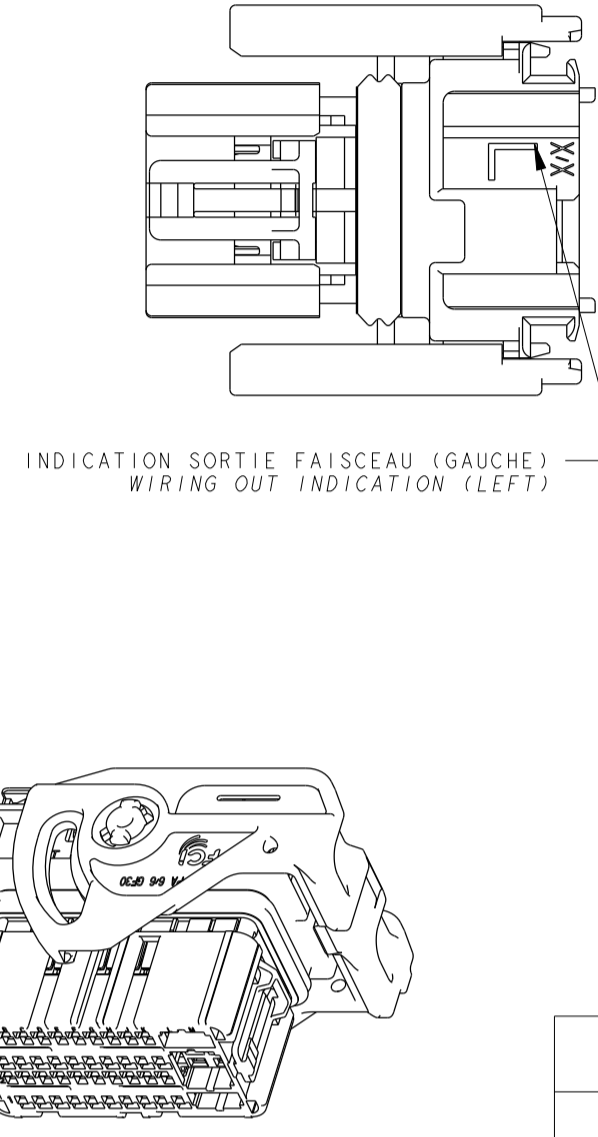


**SORTIE FAISCEAU A DROITE**  
**RIGHT WIRING OUT**

**MARQUAGES EN DESSOUS DU LEVIER**  
**(LEVIER ENLEVE POUR CETTE VUE)**  
**MARKING UNDER LEVER COMPONENT**  
**(LEVER REMOVED FOR THIS VIEW)**



**SORTIE FAISCEAU A GAUCHE**  
**LEFT WIRING OUT**



**SPECIFICATION DE CONDITIONNEMENT**  
**PACKAGING SPECIFICATION**

FE PA 06 013

**CAHIER DES SPECIFICATIONS**  
**APPLICATION SPECIFICATION**

NF R 13-462  
FE PS 07 023

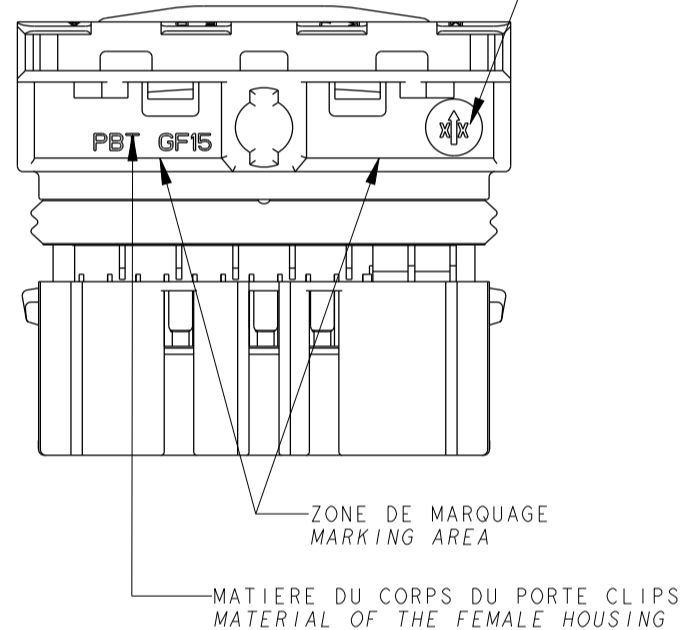
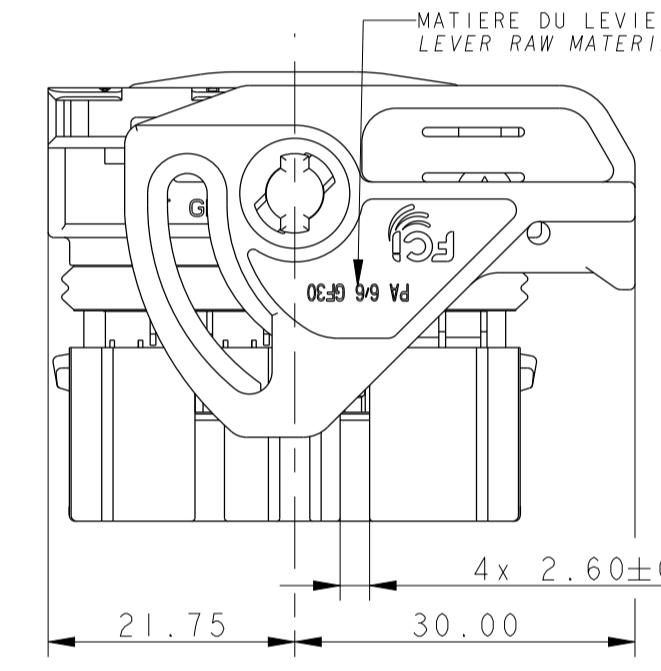
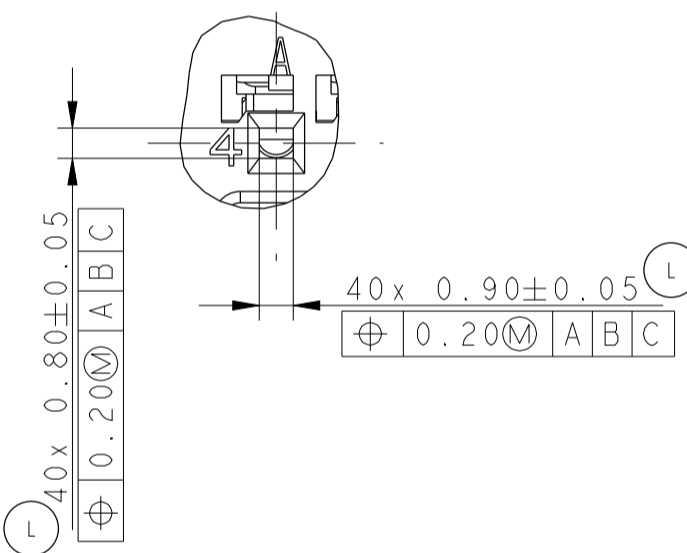
**MISE EN OEUVRE**  
**APPLICATION SPECIFICATION**

DOSSIER DE PRECONISATION : PU 087  
USER'S MANUAL : PU 087

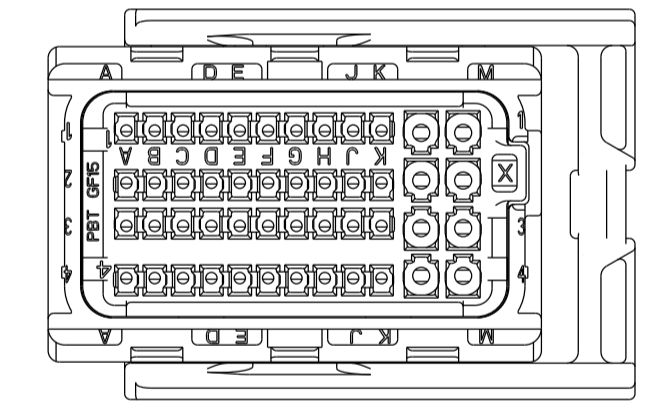
CAPOT COVER	BOUCHON D'ALVEOLES CAVITY PLUG					
	CAVITE 0.635 0.635 CAVITY		CAVITE 1.5 1.5 CAVITY			
	MVL P/N	DELPHI P/N	MVL P/N	DELPHI P/N	MVL P/N	DELPHI P/N
SORTIE DES FILS WIRES OUTPUT						
0°	F965000	I3956254	PP10001045	I3768626	PP10001486	I3826722
45°	PP10001538	I33517228				

TYPE DE CONTACT TERMINAL SIZE	Ø DE FILS MINI ET MAXI ADMISSIBLE POUR GARANTIR L'ETANCHEITE DU PRODUIT SUITABLE MIN. AND MAX. WIRES Ø TO GUARANTEE THE WATER TIGHTNESS OF THE PRODUCT					
	REFERENCE MVL DELPHI PART NUMBER	REFERENCE DELPHI DELPHI PART NUMBER	JOINT TUBE SUR FIL WIRE TUBE	Ø MINI MINIMUM Ø	Ø MAXI MAXIMUM Ø	
GTS 0.635	0.35mm²	PP10001619	I3955989	1.30	1.50	
	0.50mm²	PP10000489	I3648598	1.40	1.70	
GTS 1.5	0.50mm² - 0.85mm²	PP10001482	I3712871	F418400	2.20	
	1.00mm² - 1.30mm²	PP10001483	I3741954	F418400	2.40	
	1.40mm² - 2.00mm²	PP10001484	I3749482	2.30	2.80	

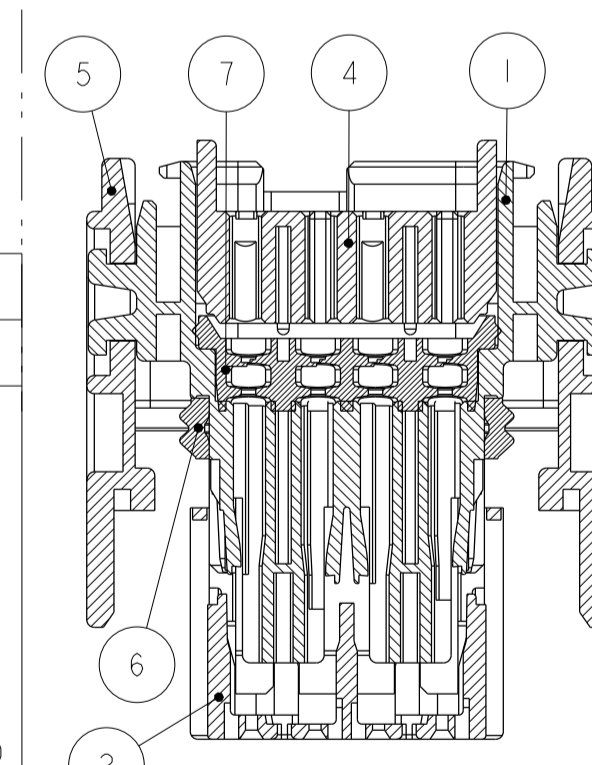
**DETAIL ALVEOLES 0.635**  
**DETAIL CAVITIES 0.635**



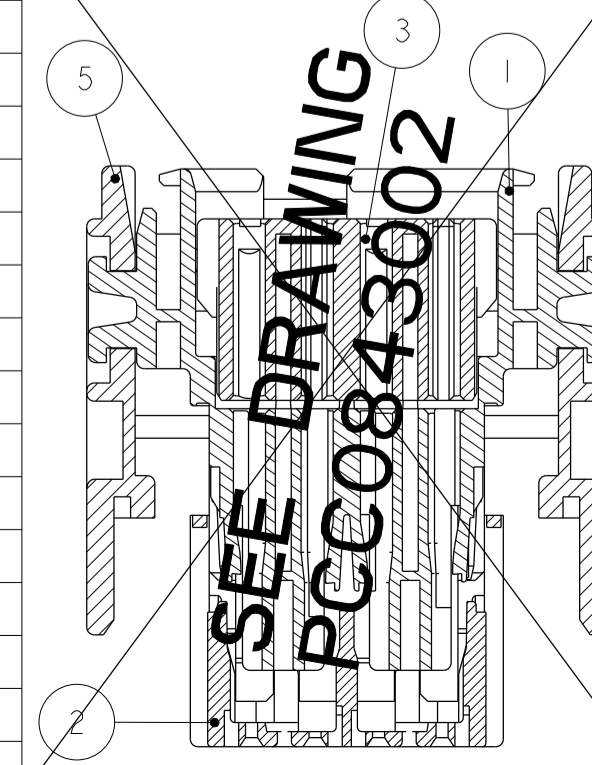
**MARQUAGES EN DESSOUS DU LEVIER**  
**(LEVIER ENLEVE POUR CETTE VUE)**  
**MARKING UNDER LEVER COMPONENT**  
**(LEVER REMOVED FOR THIS VIEW)**



**SEALED VERSION**



**UNSEALED VERSION**



PRINCIPALES PROPRIETES MECANQUES / MAIN MECHANICAL PROPERTIES		CT 0635	CT 15
FORCE D'INSERTION D'UN CONTACT / TERMINAL INSERTION FORCE		10N MAXI	12N MAXI
EFFORT DE POLARISATION D'UN CONTACT A 90° ET 180° / TERMINAL POLARISATION FORCE AT 90° AND 180°		24 MINI	30 MINI
EFFORT DE RETENTION AVEC DV / RETENTION FORCE WITH SECONDARY LOCK		80N MINI	100N MINI
EFFORT SUR LE LEVIER D'ACCROULEMENT PC/PL / MATING FORCE ON THE SLIDER DEVICE		65N MAXI	
EFFORT SUR LE LEVIER DE DESACCROULEMENT PC/PL / UNMATING FORCE ON THE SLIDER DEVICE		65N MAXI	
EFFICACITE DE VERROUILLEGE FULL ENGAGED EFFICIENCY		200N MINI	
CLASSE DE TEMPERATURE OPERATING TEMPERATURE		-40°C / +125°C	
CLASSE DE VIBRATIONS VIBRATION CLASS		15 g	
CLASSE D'ETANCHEITE SEALING CLASS		±0.5 Bar	IPX9K (L)

**NOMENCLATURE**  
**PARTS LIST**

REP.	DESIGNATION	MATIERE MATERIAL	COULEUR COLOUR	REF MVL MVL P/N	INDICE REVISION	CODAGE NOIR / BLACK CODING				CODAGE GRIS / GREY CODING				CODAGE MARRON / BROWN CODING				CODAGE VERT / GREEN CODING			
						G	D	C	B	G	D	C	B	G	D	C	B	G	D	C	B
7	GROMMET MATÉ SEAL	SILICONE / SILICON	GRIS / GREY	PP10000425	C																
6	JOINT INTERFACIAL MATING SEAL	SILICONE / SILICON	INCOLORÉ / CRISTAL	PP10000428	A																
5	LEVIER LEVER	PA66 GF 30	NOIR / BLACK	PP10000416	A																
4	GRILLE ARRIERE ETANCHE SEALED REAR GRID	PBT GF 15	GRIS CLAIR / LIGHT GREY	C188300	C																
3	GRILLE ARR. NON ETANCHE UNSEALED REAR GRID	PBT GF 15	GRIS FONCE / DARK GREY	C288300	C																
2	GRILLE AVANT FRONT GRID	PBT GF 15	NOIR / BLACK	PP10000405	B (L)																
2	GRILLE AVANT FRONT GRID	PBT GF 15	GRIS / GREY	PP10000406	B (L)																
2	GRILLE AVANT FRONT GRID	PBT GF 15	MARRON / BROWN	PP10000407	B (L)																
2	GRILLE AVANT FRONT GRID	PBT GF 15	VERT / GREEN	PP10000408	B (L)																
1	ISOLANT PORTE-CLIPS FEMALE HOUSING	PBT GF 15	NOIR / BLACK	C088300	D (L)																

ECN-NUM	POSITION	CHANGE DESCRIPTION
BT	GREEN CODING DETAILS ADDED IN TABLE	
BT	VIEW MOVED TO D5	
	CHANGE REVISION OF TPA (B WAS A)	
	CHANGE REVISION OF SEALED VERSION CONNECTOR AND HOUSING (D WAS C)	
	ADD DELPHI PART NUMBER	
	ADD DELPHI LOGO	
	REMOVE OF UNSEALED VERSIONS, WHICH ARE ONLY PRODUCED IN A VERSION	
	REVIEW OF TOLERANCES TO BE ACCORDANCE WITH OTHER CUSTOMER DRAWINGS	
	CHANGE TO IMPROVE TPA CLOSING FOR AUTOMATIC CONTROL	

DELPHI  
PCC0843002

SEE DRAWING PCC0843002

SEE DRAWING PCC0843002

SEE DRAWING PCC0843002

SEE DRAWING PCC0843002

EUR C04-112-F29