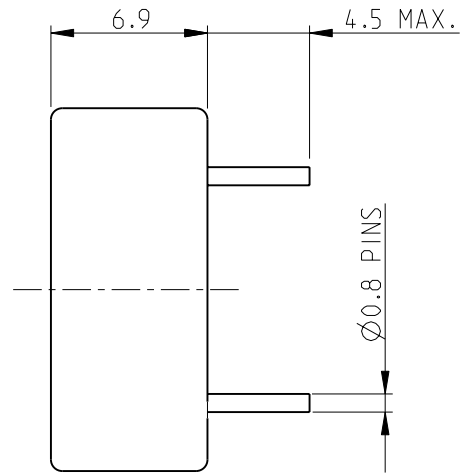
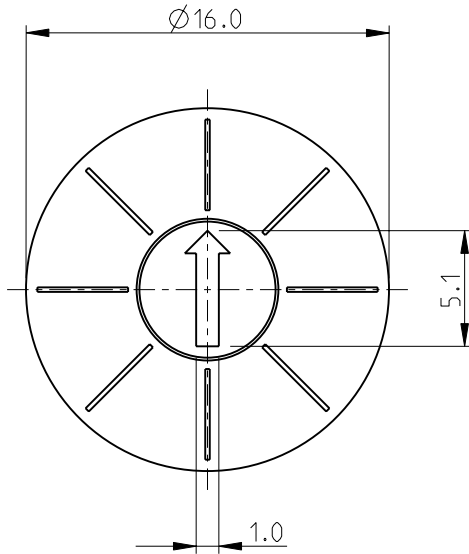
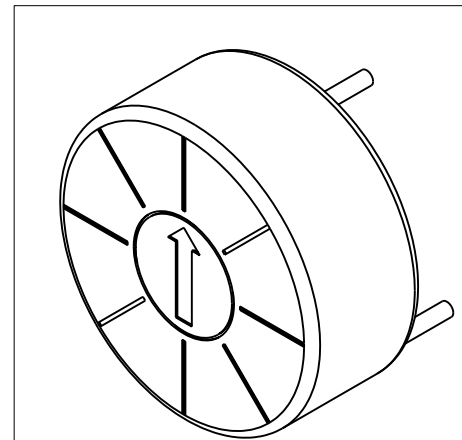
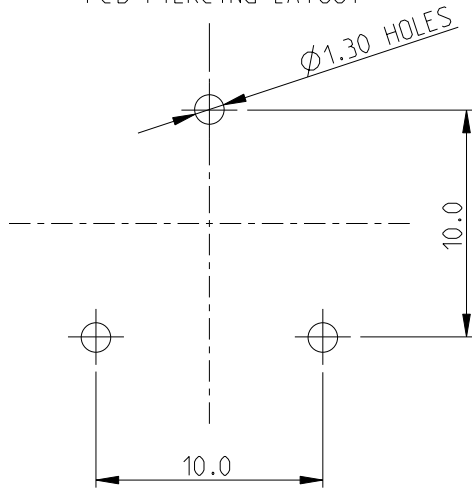


LOC	DIST	REVISIONS					
E	B	P	LTR	DESCRIPTION	DATE	DWN	APVD
		H		NEW RELEASE	17-DEC-08	SM	St.P

FOR FURTHER INFORMATION SEE DATA SHEET FOR
SERIES PC910 - PROFESSIONAL TRIMMERS



PCB PIERCING LAYOUT



2008

RELEASED FOR PUBLICATION

THIS DRAWING IS UNPUBLISHED.

© COPYRIGHT 2008 BY TYCO ELECTRONICS CORPORATION. ALL RIGHTS RESERVED.

DIMENSIONS: mm	DWN	SUBHASH.M	17-DEC-08	MATERIAL	-	FINISH	-
	CHK	PRAKASH.S	17-DEC-08	Tyco Electronics Corporation Dorcan, Swindon, SN3 5HH			
TOLERANCES UNLESS OTHERWISE SPECIFIED:	APVD	STEPHEN.P	17-DEC-08				
	0 PLC	±0.2	PRODUCT SPEC	-	SIZE	CAGE CODE	DRAWING NO
1 PLC	±0.1	APPLICATION SPEC	-	A 4	00779	©=1625939	-
2 PLC	±	WEIGHT	-	CUSTOMER DRAWING			
3 PLC	±			SCALE	3:1	SHEET	1 OF 1
4 PLC	±					REV	H
ANGLES	±5°						