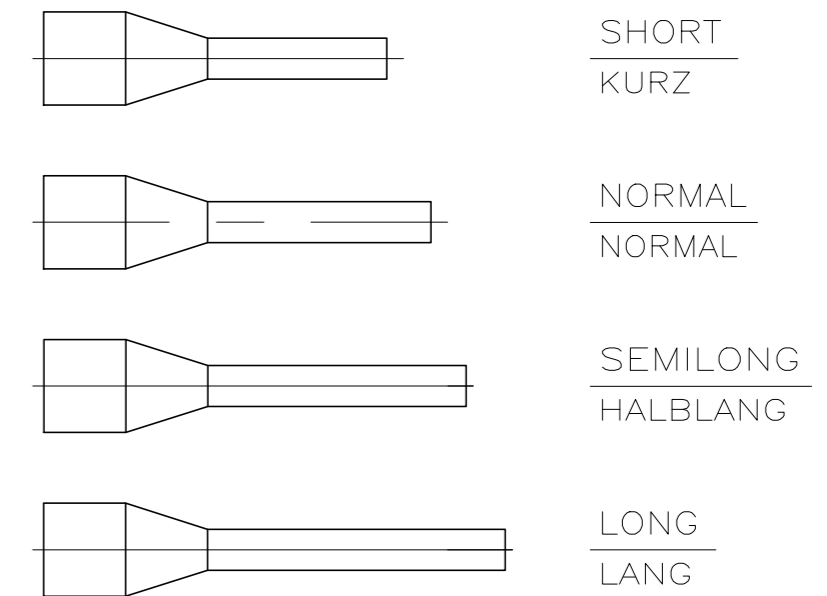
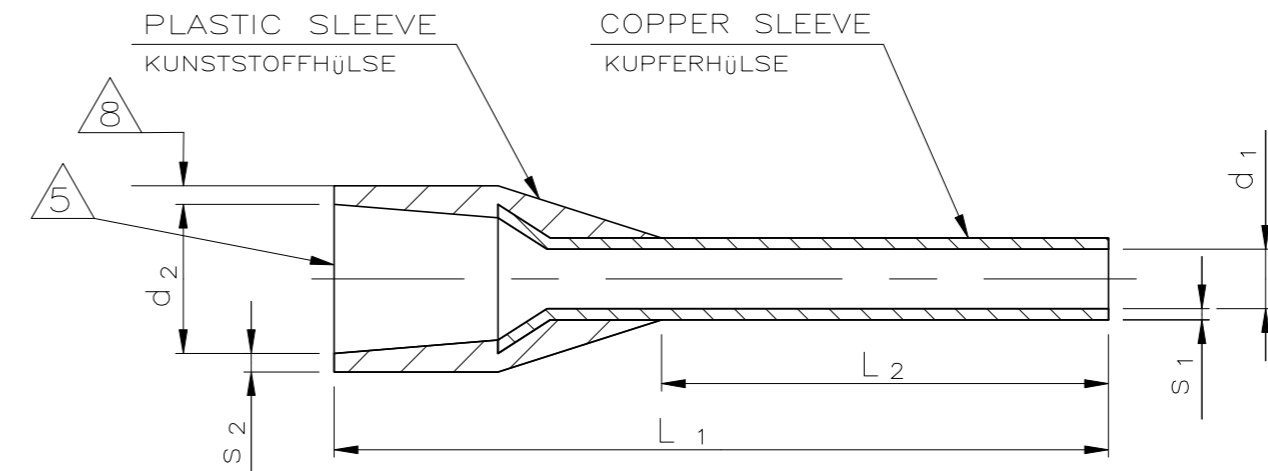


THIS DRAWING IS UNPUBLISHED.  
 VERTRAULICHE UNVERÖFFENTLICHTE ZEICHNUNG  
 © COPYRIGHT - By -  
 RELEASED FOR PUBLICATION  
 FREI FÜR VERÖFFENTLICHUNG  
 ALL RIGHTS RESERVED.  
 ALLE RECHTE VORBEHALTEN

PROJECT NO.:  
 E92-52625

REVISIONS ÄNDERUNGEN					
P	LTR	DESCRIPTION BESCHREIBUNG	DATE	DWN	APVD
	C5	ECR-10-026307	20JAN11	KK	HMR
	C6	OBSOLETE PNs 2-966066-7, 3-966066-3	21FEB2018	SH	GN
	C7	ECO-19-003069	01OCT2019	RS	DR

ORDER NO. BESTELL-NR.	CROSS-SECTION QUERSCHNITT		STRIP LENGTH ABISOLIER-LÄNGE	TYPE AUSFÜHRUNG	COLOUR FARBE	L <sub>1</sub>	L <sub>2</sub>	d <sub>1</sub>	s <sub>1</sub>	d <sub>2</sub>	s <sub>2</sub>	PACKING UNIT VERPACKUNGS-EINHEIT
	mm <sup>2</sup>	AWG										
966 066-1	0.25	23	8	NORMAL	LIGHT BLUE	10.0 ±1.5	6.0 ±0.4	0.75 +0.14	0.15 ±0.05	1.8 ±0.2	0.25 ±0.1	500
966 066-2	0.25	23	10	LONG	LIGHT BLUE	12.0 ±1.5	8.0 ±0.4	0.75 +0.14	0.15 ±0.05	1.8 ±0.2	0.25 ±0.1	500
966 066-3	0.34	22	8	NORMAL	TURQUOISE	10.0 ±1.5	6.0 ±0.4	0.8 +0.14	0.15 ±0.05	2.0 ±0.2	0.25 ±0.1	500
966 066-4	0.34	22	10	LONG	TURQUOISE	12.0 ±1.5	8.0 ±0.4	0.8 +0.14	0.15 ±0.05	2.0 ±0.2	0.25 ±0.1	500
966 066-5	0.14	26	8	NORMAL	GREY	10.0 ±1.5	6.0 ±0.4	0.7 +0.14	0.15 ±0.05	1.6 ±0.2	0.25 ±0.1	500
966 066-7	0.50	20	10	NORMAL	ORANGE	14.0 ±1.5	8.0 ±0.4	1.0 +0.14	0.15 ±0.05	2.6 ±0.2	0.25 ±0.1	500
1-966 066-1	1.50	16	12	SEMILONG	RED	16.0 ±1.5	10.0 ±0.4	1.7 +0.25	0.15 ±0.05	3.5 ±0.2	0.25 ±0.1	500
1-966 066-5	6.00	10	14	NORMAL	BLACK	20.0 ±1.5	12.0 ±0.6	3.5 +0.30	0.20 ±0.05	6.3 ±0.4	0.30 ±0.1	100
1-966 066-9	0.75	18	8	SHORT	WHITE	12.0 ±1.5	6.0 ±0.4	1.2 +0.14	0.15 ±0.05	2.8 ±0.2	0.25 ±0.1	500
2-966 066-0	0.75	18	12	SEMILONG	WHITE	16.0 ±1.5	10.0 ±0.4	1.2 +0.14	0.15 ±0.05	2.8 ±0.2	0.25 ±0.1	500
2-966 066-5	1.50	16	10	NORMAL	RED	14.0 ±1.5	8.0 ±0.4	1.7 +0.25	0.15 ±0.05	3.5 ±0.2	0.25 ±0.1	500
3-966 066-0	4.00	11	11	NORMAL	GREY	17.0 ±1.5	10.0 ±0.4	2.8 +0.25	0.20 ±0.05	4.8 ±0.4	0.30 ±0.1	500



- 1 THE AWG CROSS-SECTION CAN DIFFER SLIGHTLY TO THE DIN-STANDARD CROSS-SECTION VALUES.
- 2 RECOMMENDED STRIP LENGTH
- 3 TUBULAR END-SLEEVES PACKED INTO PLASTIC BAG
- 4 COLOUR TYPE 2: COLOURS PER WEIDM ÜLLER STANDARD
- 5 MAX.INSULATION DIA. OF WIRE: d<sub>2</sub> MIN.-0.1
- 6. USE HAND TOOL 539660-1
- 7. NOTE DELETED.
- 8 LENGTH "L1" INCLUDES MOLDING FLASH PRESENT IN THIS ZONE

- 1 DER AWG-QUERSCHNITT KANN VON DEN DIN-NORM QUERSCHNITTSWERTEN GERINGFÜGIG ABWEICHEN.
- 2 EMPFOHLENE ABISOLIERLÄNGE
- 3 ADERENDHÜLSE IN PLASTIKBEUTEL VERPACKT
- 4 FARBREIHE 2: FARBEN NACH WEIDM ÜLLER STANDARD
- 5 MAX.ISOLATIONS-Ø DER LEITUNG:d<sub>2</sub> MIN.-0.1
- 6. BENUTZEN SIE HANDWERKZEUG 539660-1

THIS DRAWING IS A CONTROLLED DOCUMENT. DIESE ZEICHNUNG IST EIN KONTROLLIERTES DOKUMENT.		DWN R.SCHMIDT 04-DEC-92		
DIMENSIONS: MASSE/WEITEN: mm		CHK W.BÖCK 13-JAN-93		
TOLERANCES UNLESS OTHERWISE SPECIFIED: ALLGEMEINTOLERANZEN		APVD G.FELDMEIER 29-NOV-00	NAME	
0 PLC ± - 1 PLC ± - 2 PLC ± - 3 PLC ± - 4 PLC ± - ANGLES / WINKEL ± -		PRODUCT SPEC PRODUKTSPEZ.		TUBULAR END-SLEEVE WITH PLASTIC SLEEVE, COLOUR TYPE 2, NOT PER DIN
MATERIAL PP/E-Cu		APPLICATION SPEC VERARBEITUNGSSPEZ.		
FINISH / OBERFLÄCHE / FARBE		WEIGHT GEWICHT		SIZE A2
FINISH / OBERFL.: Sn COLOUR: SEE TABLE FARBE: SIEHE TABELLE		DRAWING NO ZEICHNUNGS-NR. G=966066		RESTRICTED TO NUR FÜR
CUSTOMER DRAWING / KUNDENZEICHNUNG		SCALE MASSSTAB		SHEET BLATT 1 OF 1
		REV C7		

# Mouser Electronics

Authorized Distributor

Click to View Pricing, Inventory, Delivery & Lifecycle Information:

[TE Connectivity:](#)

[966066-1](#)